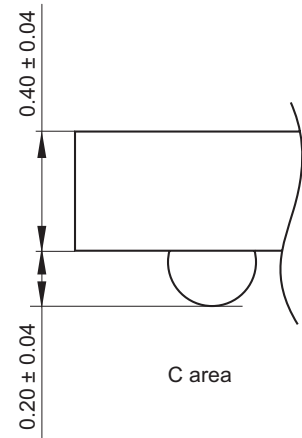
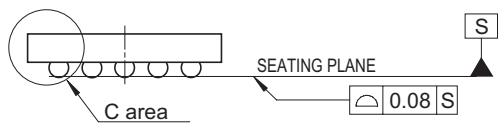
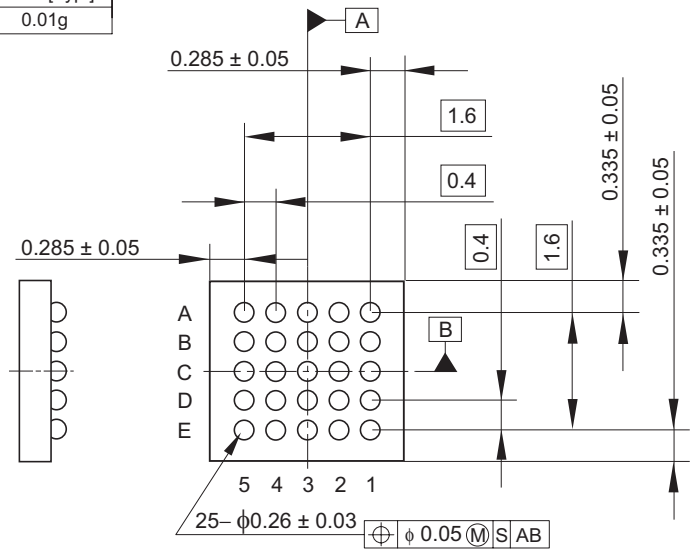
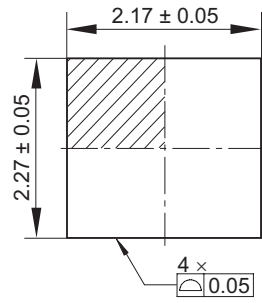


| | | | |
|--------------------------|--------------|---------------|------------|
| JEITA Package Code | RENESAS Code | Previous Code | MASS[Typ.] |
| S-WFBGA25-2.17x2.27-0.40 | SWBG0025LA-A | — | 0.01g |

Unit: mm



Note:

1. Ball pitch dimension is specified with the center of balls.
2. Datum A and B are axes defined by the ball grid array, not by the Package Outline.