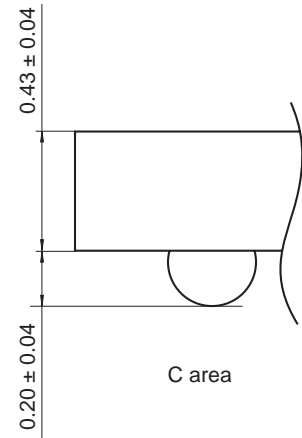
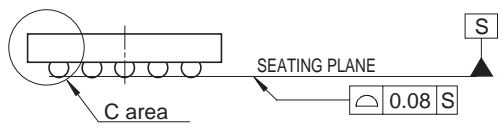
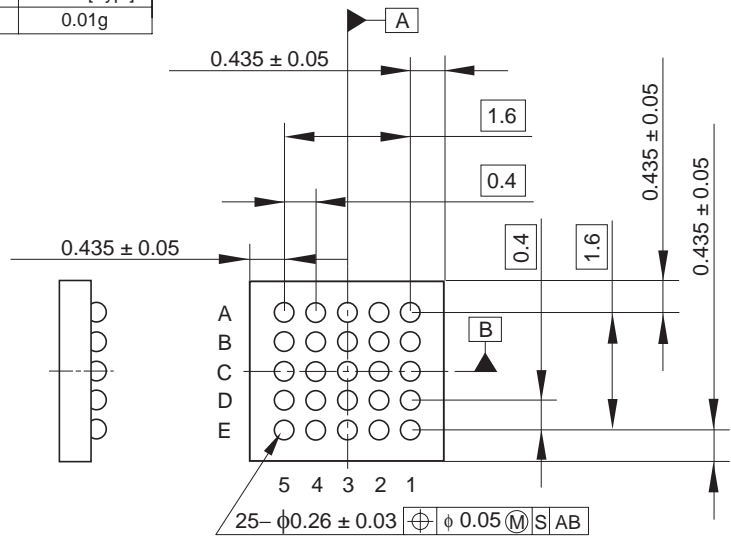
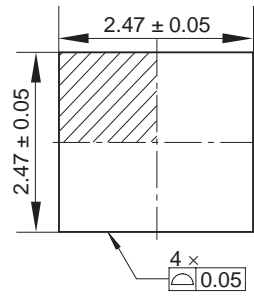


JEITA Package Code	RENESAS Code	Previous Code	MASS[Typ.]
S-WFBGA25-2.47x2.47-0.40	SWBG0025LD-A	—	0.01g

Unit: mm



- Note:
1. Ball pitch dimension is specified with the center of balls.
  2. Datum A and B are axes defined by the ball grid array, not by the Package Outline.