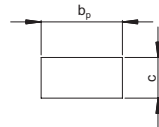
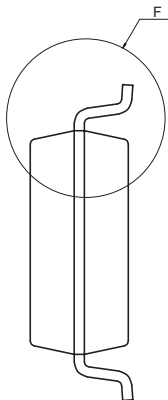
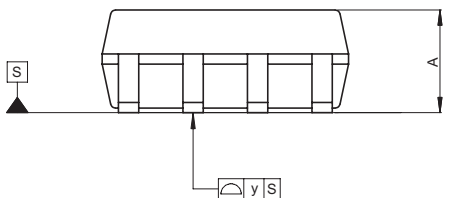
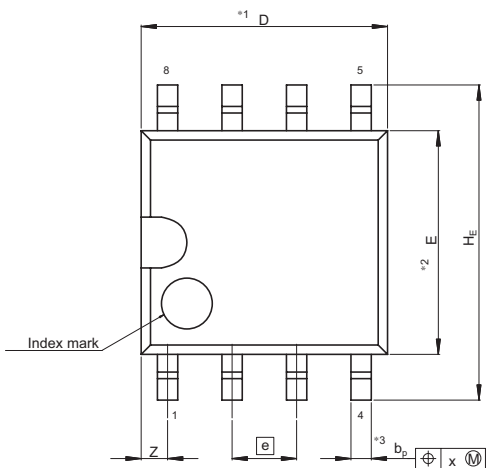
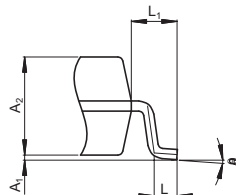


JEITA Package Code	RENESAS Code	Previous Code	MASS[Typ.]
P-SOP8-4.4x4.85-1.27	PRSP0008DE-C	—	0.1g



Terminal cross section  
(Ni/Pd/Au plating)



Detail F

NOTE  
 1. DIMENSIONS  $^*1$  (Nom) AND  $^*2$   
 DO NOT INCLUDE MOLD FLASH.  
 2. DIMENSION  $^*3$  DOES NOT  
 INCLUDE TRIM OFFSET.

Reference Symbol	Dimension in Millimeters		
	Min	Nom	Max
D	4.65	4.85	5.05
E	4.2	4.4	4.6
$A_2$	—	1.85	—
$A_1$	0.00	0.1	0.20
A	—	—	2.03
$b_p$	0.34	0.4	0.46
$b_1$	—	—	—
c	0.15	0.20	0.25
$c_1$	—	—	—
$\theta$	0°	—	8°
$H_E$	5.7	6.2	6.5
$\text{[e]}$	1.12	1.27	1.42
x	—	—	0.12
y	—	—	0.10
Z	—	—	0.75
L	0.25	0.45	0.65
$L_1$	—	0.90	—