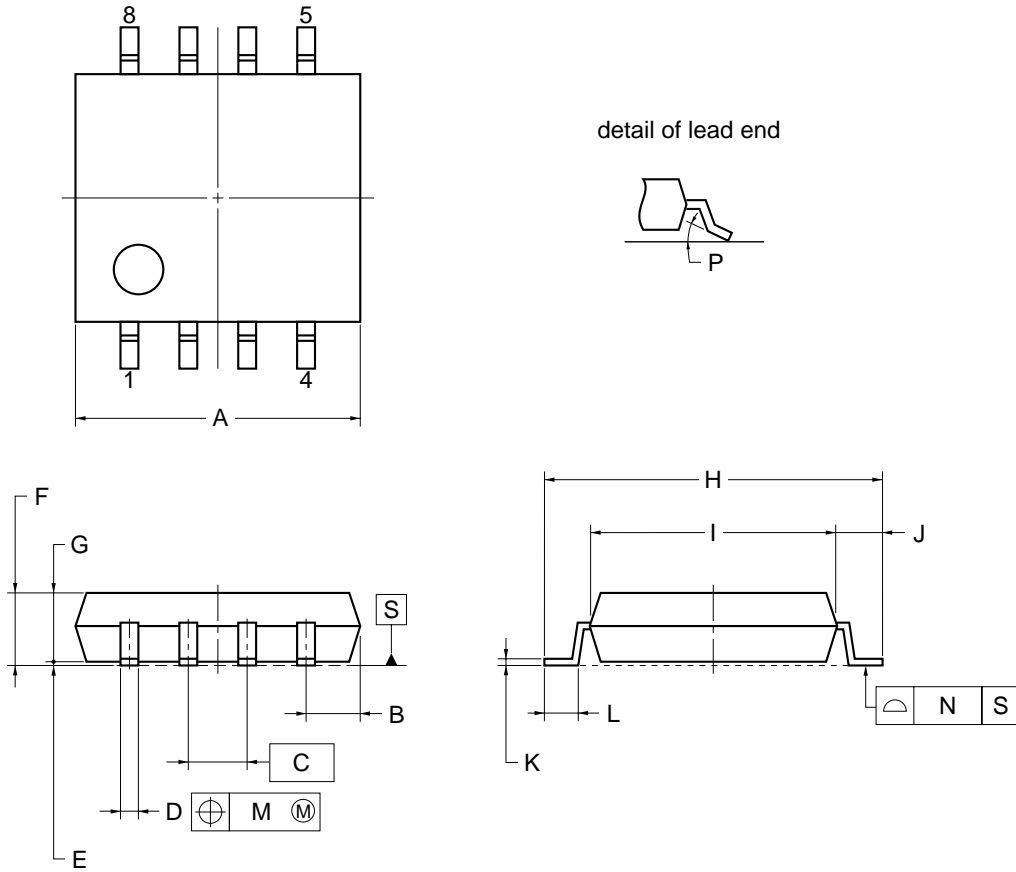


8-PIN PLASTIC SOP (7.62 mm (300))



NOTE

Each lead centerline is located within 0.12 mm of its true position (T.P.) at maximum material condition.

ITEM	MILLIMETERS
A	$6.44^{+0.21}_{-0.1}$
B	1.42 MAX.
C	1.27 (T.P.)
D	$0.40^{+0.10}_{-0.05}$
E	0.125 ± 0.075
F	1.625 ± 0.175
G	1.55
H	7.7 ± 0.3
I	5.6 ± 0.1
J	1.05 ± 0.2
K	$0.15^{+0.10}_{-0.05}$
L	0.6 ± 0.2
M	0.12
N	0.10
P	$3^{\circ+7^{\circ}}_{-3^{\circ}}$

P8GM-50-300B-6