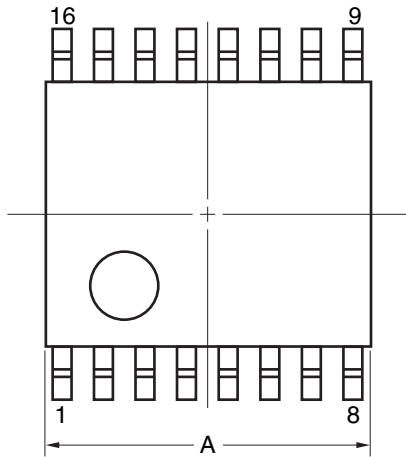
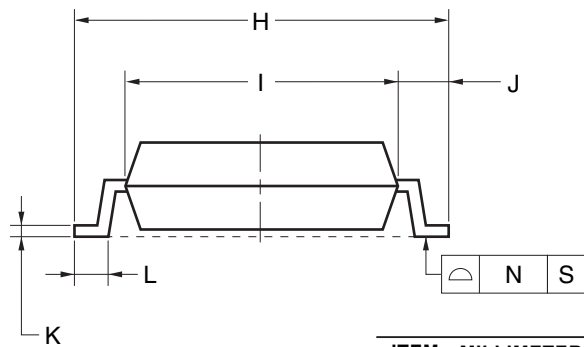
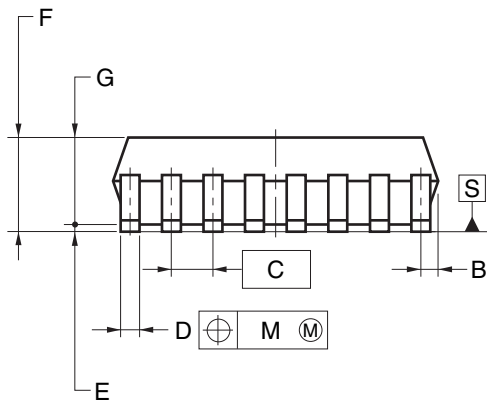
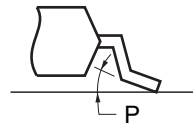


JEITA Package Code	RENESAS Code	Previous Code	MASS (TYP.) [g]
P-SSOP16-0225-0.65	PRSP0016JB-A	P16GM-65-225B-6	0.08



detail of lead end



NOTE

Each lead centerline is located within 0.10 mm of its true position (T.P.) at maximum material condition.

ITEM	MILLIMETERS
A	5.2±0.3
B	0.475 MAX.
C	0.65 (T.P.)
D	0.22±0.08
E	0.125±0.075
F	1.565±0.235
G	1.44
H	6.2±0.3
I	4.4±0.2
J	0.9±0.2
K	0.17 ^{+0.08} _{-0.07}
L	0.5±0.2
M	0.10
N	0.10
P	5°±5°