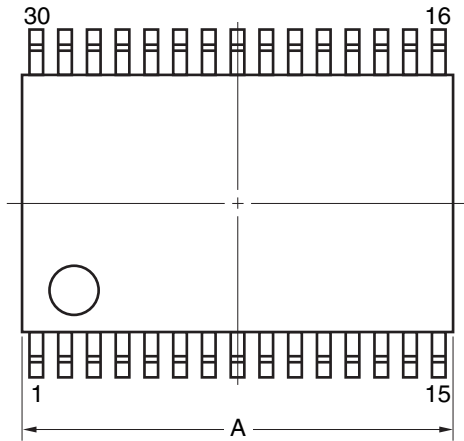
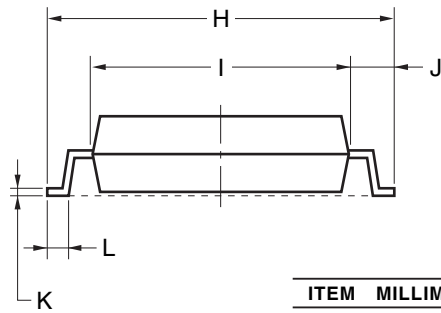
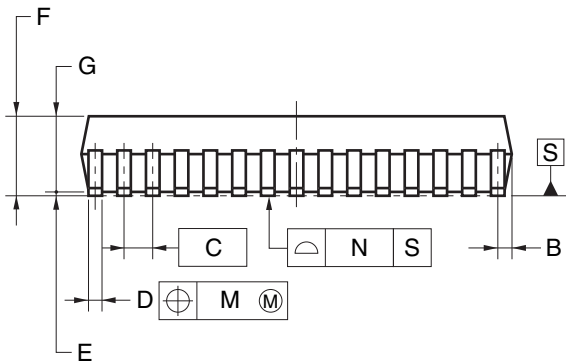
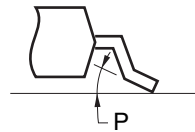


JEITA Package Code	RENESAS Code	Previous Code	MASS (TYP.) [g]
P-SSOP30-0300-0.65	PRSP0030JB-A	P30GS-65-300B-4	0.24



detail of lead end



NOTE

Each lead centerline is located within 0.10 mm of its true position (T.P.) at maximum material condition.

ITEM	MILLIMETERS
A	9.85±0.26
B	0.51 MAX.
C	0.65 (T.P.)
D	0.32 ^{+0.08} _{-0.07}
E	0.125±0.075
F	2.0 MAX.
G	1.7±0.1
H	8.1±0.2
I	6.1±0.2
J	1.0±0.2
K	0.17 ^{+0.08} _{-0.07}
L	0.5±0.2
M	0.10
N	0.10
P	3° ^{+7°} _{-3°}