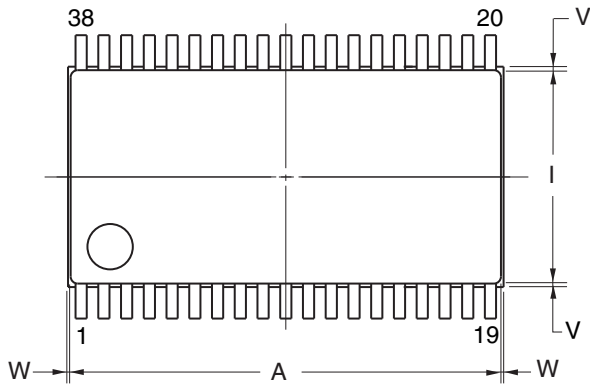
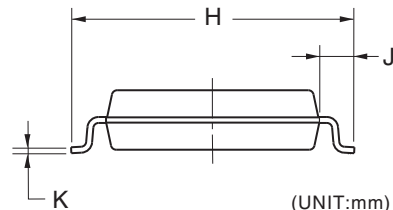
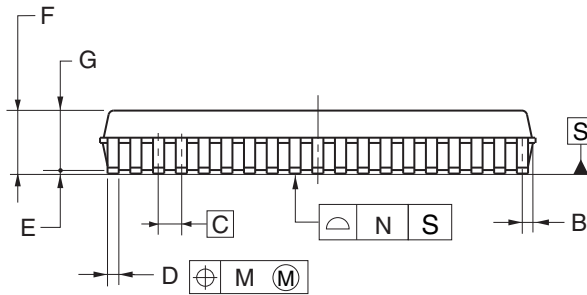
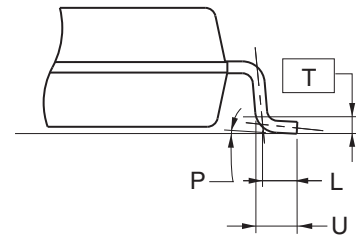


JEITA Package Code	RENESAS Code	Previous Code	MASS (TYP.) [g]
P-SSOP38-0300-0.65	PRSP0038JA-A	P38MC-65-2A4-2	0.3



detail of lead end



(UNIT:mm)

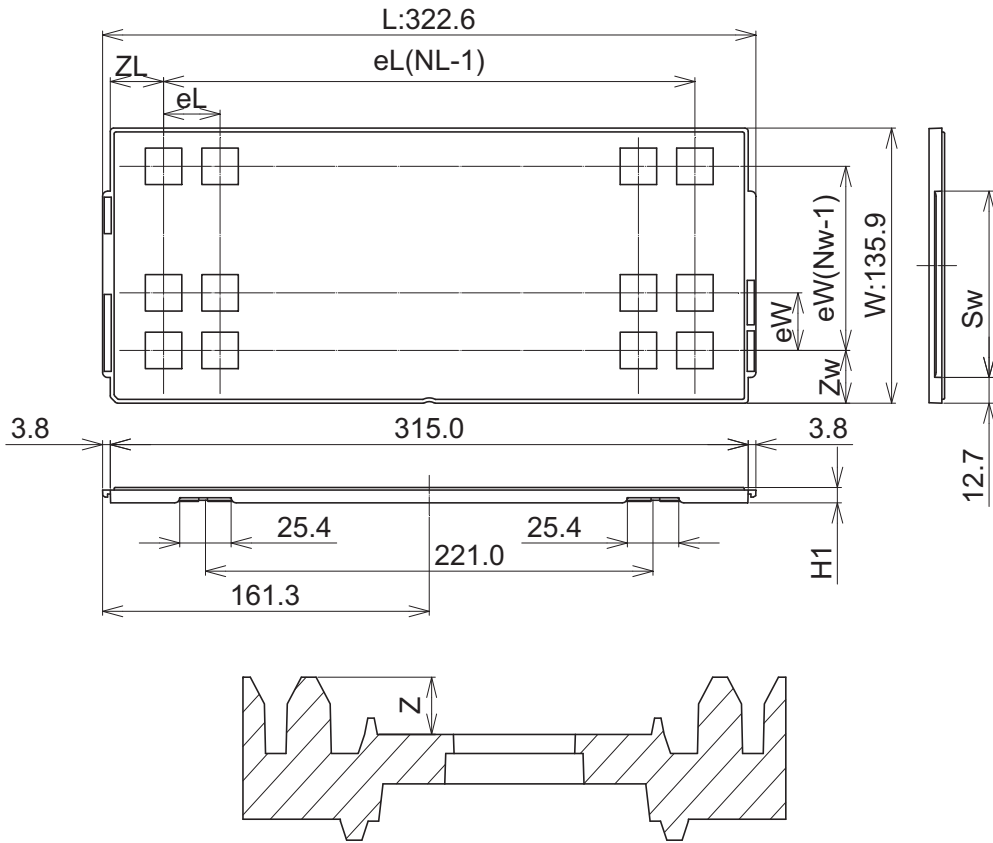
ITEM	DIMENSIONS
A	12.30±0.10
B	0.30
C	0.65 (T.P.)
D	0.32 <sup>+0.08</sup> <sub>-0.07</sub>
E	0.125±0.075
F	2.00 MAX.
G	1.70±0.10
H	8.10±0.20
I	6.10±0.10
J	1.00±0.20
K	0.17 <sup>+0.08</sup> <sub>-0.07</sub>
L	0.50
M	0.10
N	0.10
P	3° <sup>+7°</sup> <sub>-3°</sub>
T	0.25(T.P.)
U	0.60±0.15
V	0.25 MAX.
W	0.15 MAX.

**NOTE**

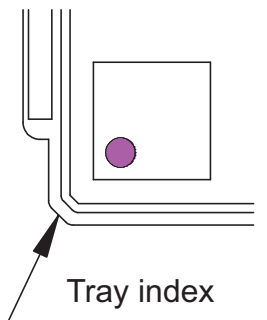
Each lead centerline is located within 0.10 mm of its true position (T.P.) at maximum material condition.

**Packing Specification  
Tray Outline Drawing  
SSOP12.3x6.1A**

Unit: mm



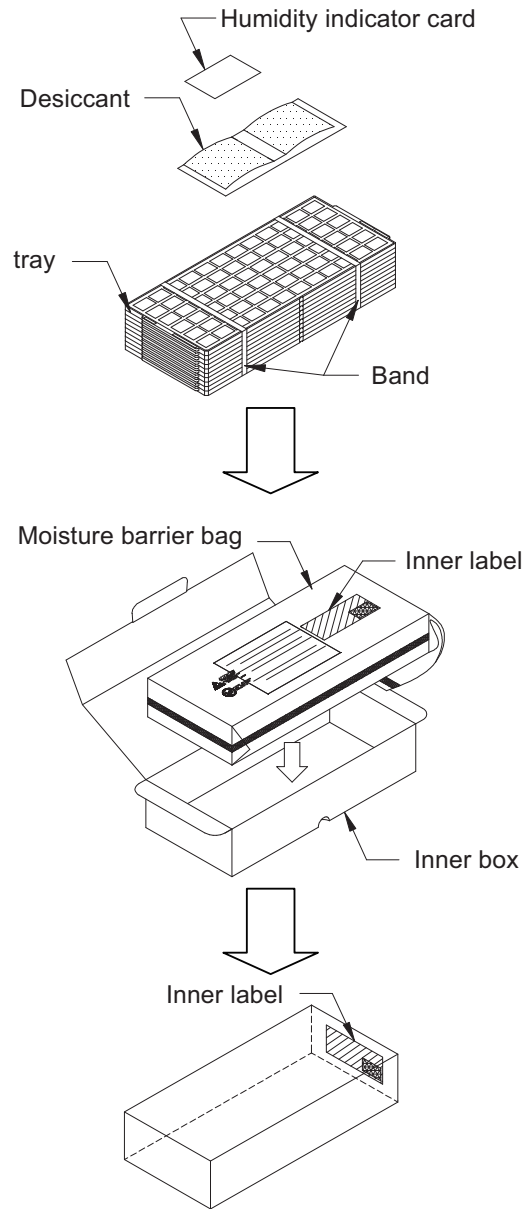
The pin1 is located in the hatching portion.



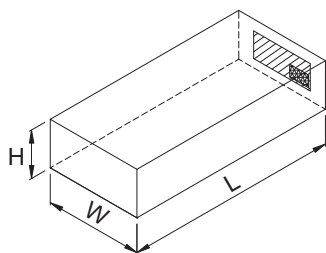
Tray Code		SSOP12.3x6.1A
Position dimension of cells	Z	2.35
	Zw	8.00
	ZL	10.25
	eW	10.90
	eL	15.50
	Sw	92.1
Thickness (mm)	H1	7.62
Number of cells	Nw	12
	NL	20
Maximum storage pcs. IC/Tray		240
Maximum storage pcs. IC/Inner box		1920
Material		Carbon PPE
Heat resistant temperature		135°C MAX
JEDEC or Custom		JEDEC
Surface resistance		Less than $1 \times 10^{11} \Omega/\square$

RDK-H-000890

**Packing Specification**  
**Tray Packing**  
**(Complete dry pack)**



Inner box size



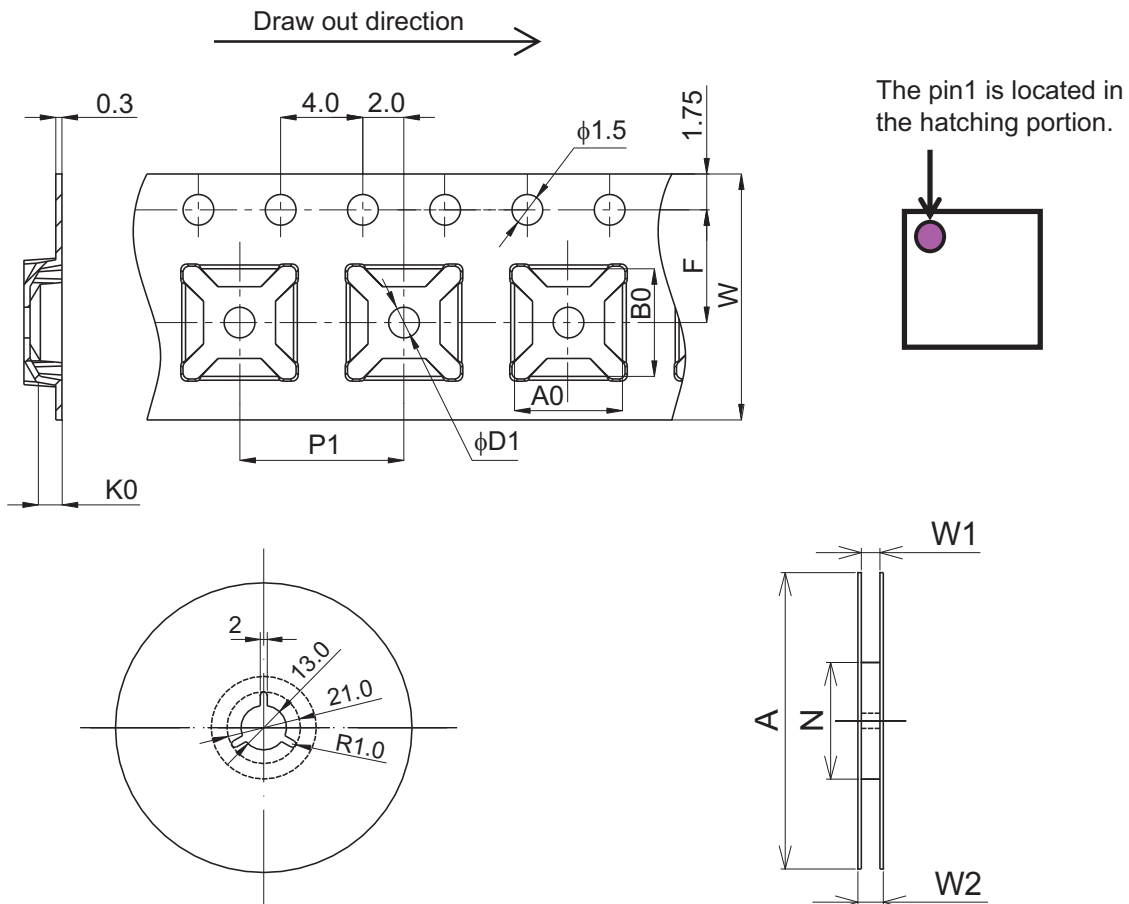
Unit: mm

L	W	H
330	152	75

RDK-H-000216

**Packing Specification**  
**Tape & Reel Outline Drawing**  
**E12 \* 08-41CA**

Unit: mm



Tape Code		E12 * 08-41CA
Tape Dimensions (mm)	W	12.0
	P1	8.0
	A0	5.25
	B0	5.25
	K0	1.06
	F	5.5
	D1	1.5
Reel Dimensions (mm)	A	180
	N	60
	W1	13.0
	W2	17.0
Maximum storage Pcs. IC/ Reel		1000
Material		Carbon PS
Surface resistance		Less than $1 \times 10^{11} \Omega/\square$

RDK-H-001675

**Packing Specification  
Tape & Reel Packing  
(Tape dry pack)**

