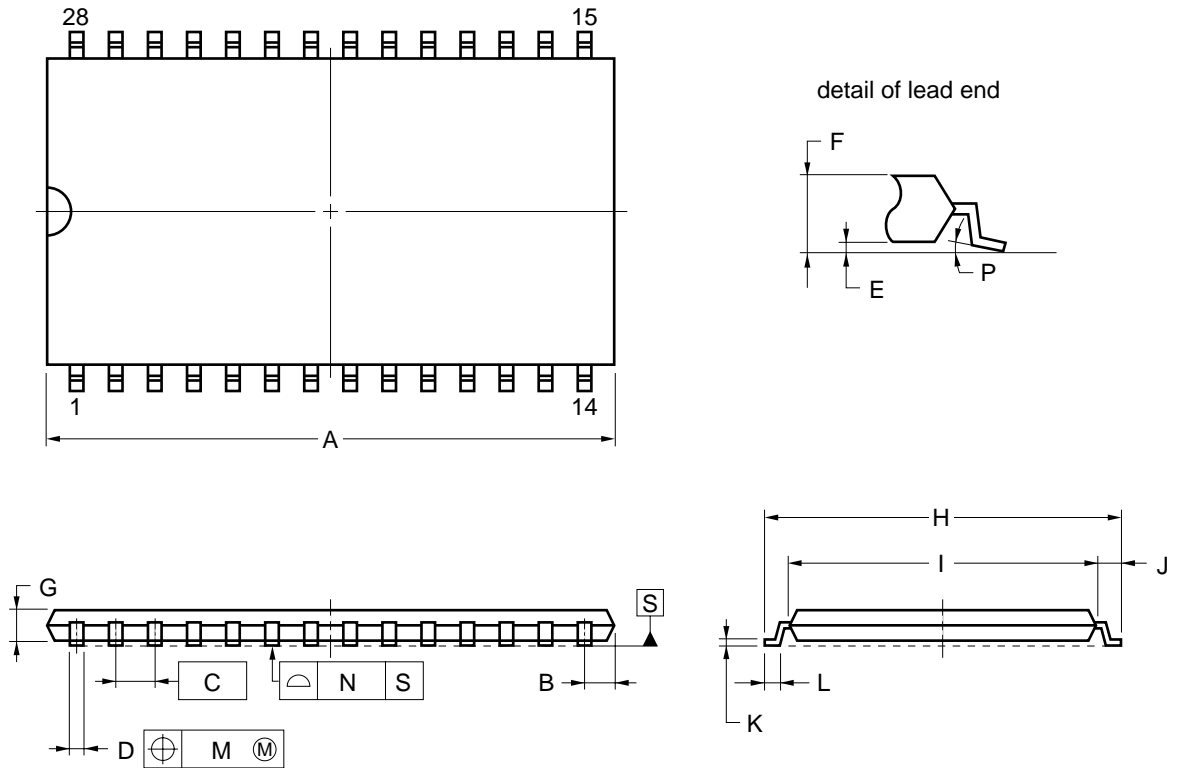


28-PIN PLASTIC TSOP (II) (10.16mm(400))



NOTE

Each lead centerline is located within 0.21 mm of its true position (T.P.) at maximum material condition.

ITEM	MILLIMETERS
A	18.63 MAX.
B	1.075 MAX.
C	1.27 (T.P.)
D	$0.42^{+0.08}_{-0.07}$
E	0.1 ± 0.05
F	1.2 MAX.
G	0.97
H	11.76 ± 0.2
I	10.16 ± 0.1
J	0.8 ± 0.2
K	$0.145^{+0.025}_{-0.015}$
L	0.5 ± 0.1
M	0.21
N	0.10
P	$3^{\circ +7^{\circ}}_{-3^{\circ}}$

S28G5-50-7JD5-1