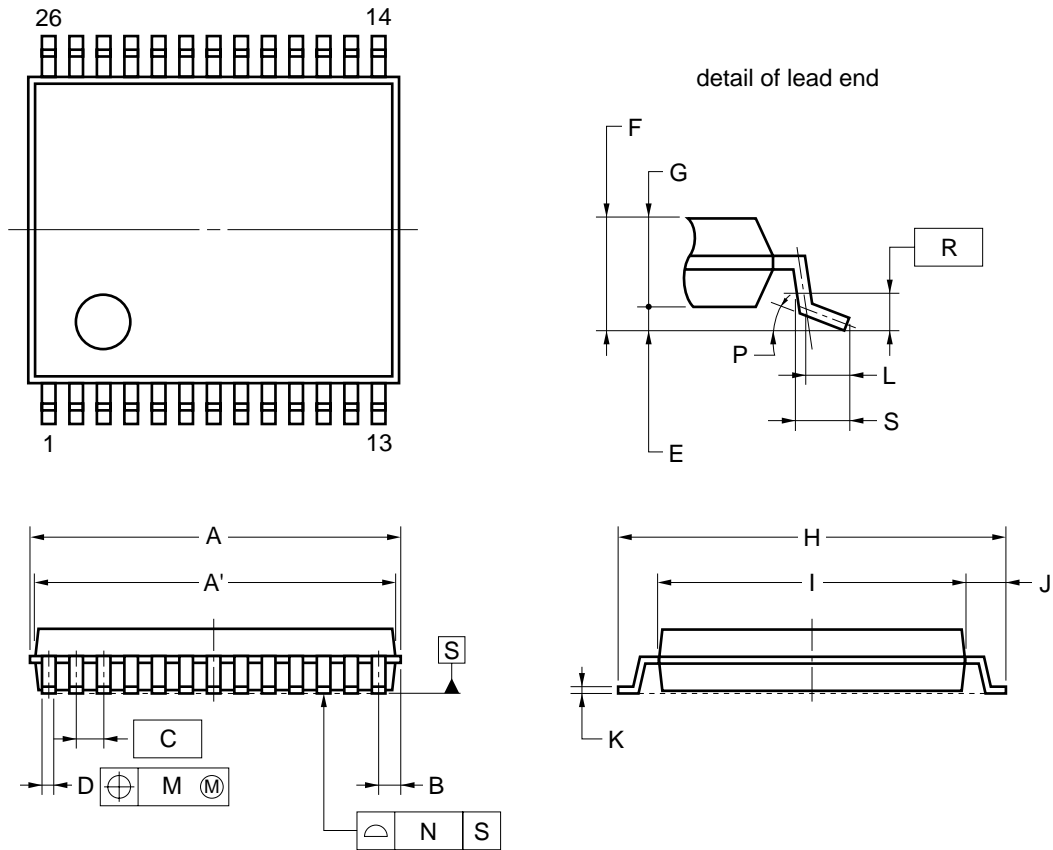


## 26-PIN PLASTIC TSSOP (7.62 mm (300))



### NOTE

Each lead centerline is located within 0.10 mm of its true position (T.P.) at maximum material condition.

ITEM	MILLIMETERS
A	6.65±0.15
A'	6.5±0.1
B	0.475 MAX.
C	0.5 (T.P.)
D	0.20±0.05
E	0.1±0.05
F	1.2 MAX.
G	1.0±0.05
H	8.1±0.2
I	6.1±0.1
J	1.0±0.2
K	0.145±0.055
L	0.5
M	0.10
N	0.10
P	3° <sup>+5°</sup> <sub>-3°</sub>
R	0.25
S	0.6 <sup>+0.15</sup> <sub>-0.10</sub>

S26GS-50-9JH-1