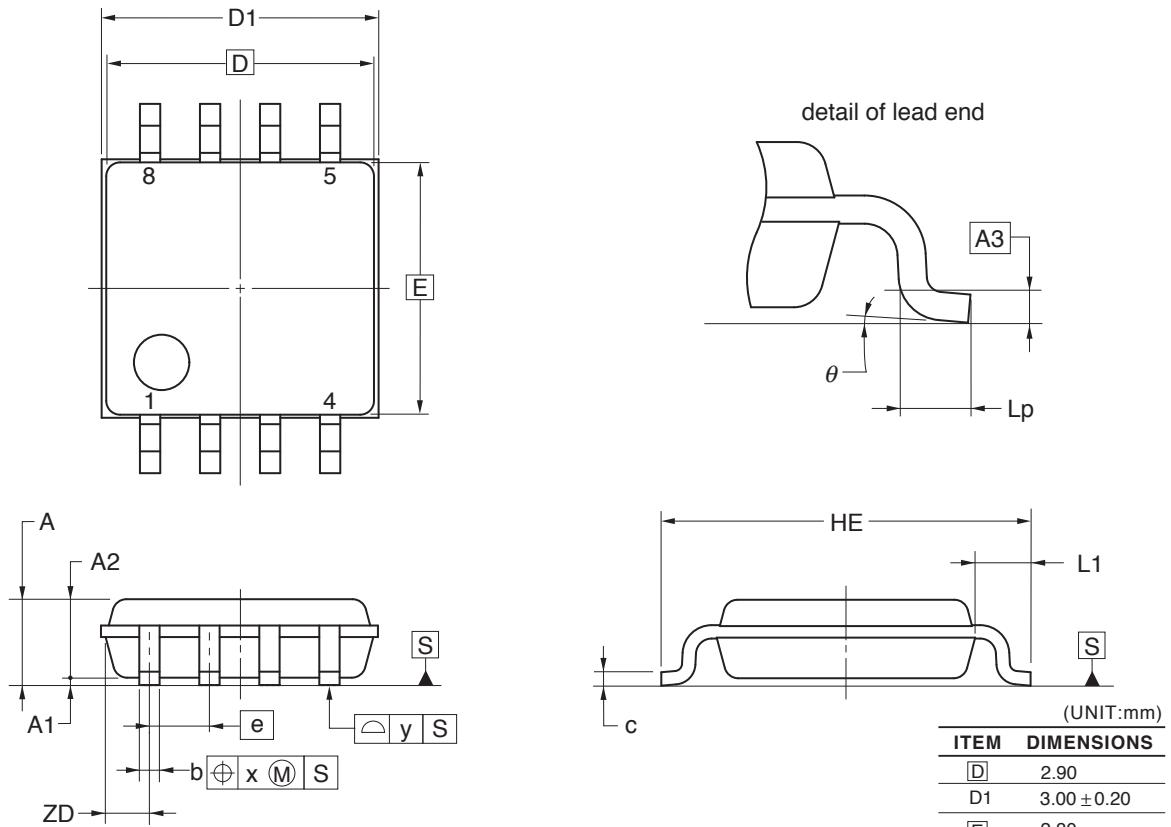


8-PIN PLASTIC TSSOP(2.8x2.9)



NOTE

Each lead centerline is located within 0.10 mm of its true position at maximum material condition.