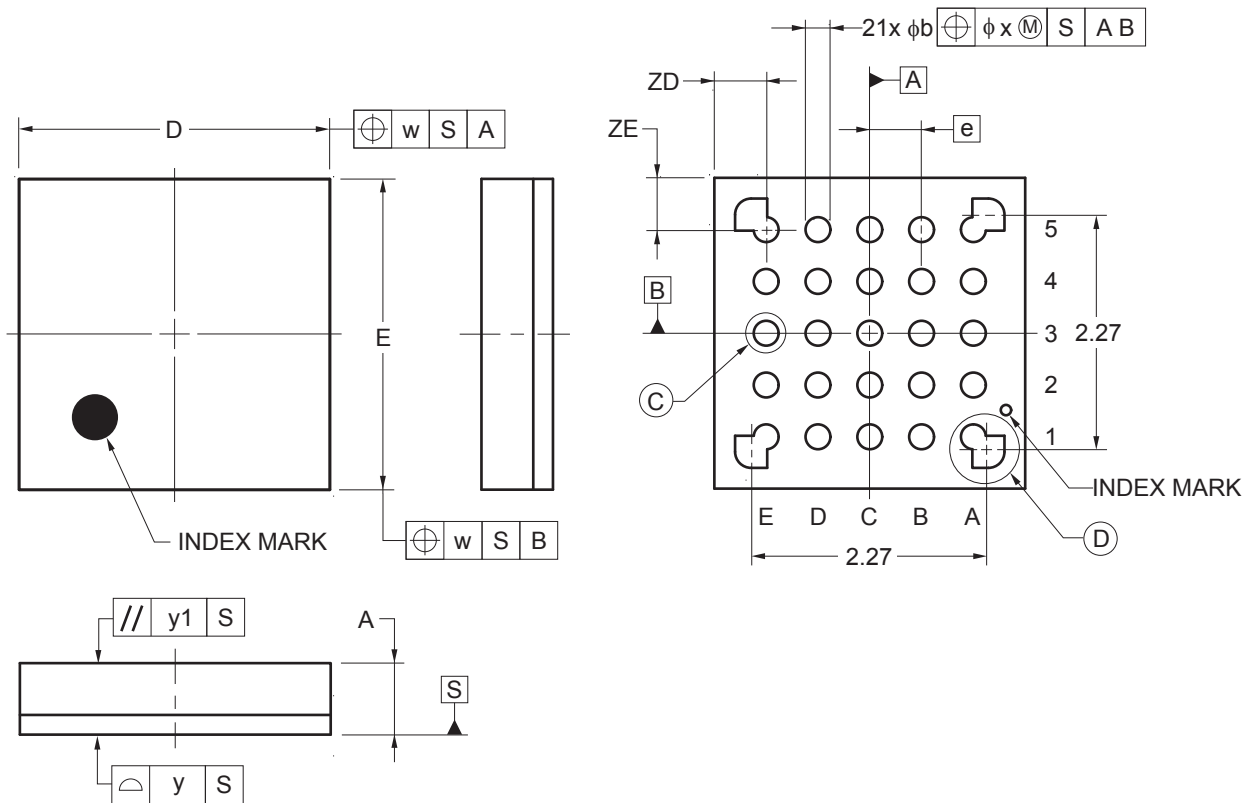
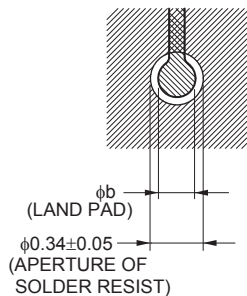


JEITA Package Code	RENESAS Code	Previous Code	MASS (Typ) [g]
P-WFLGA25-3x3-0.50	PWLG0025KA-A	P25FC-50-2N2-3	0.01

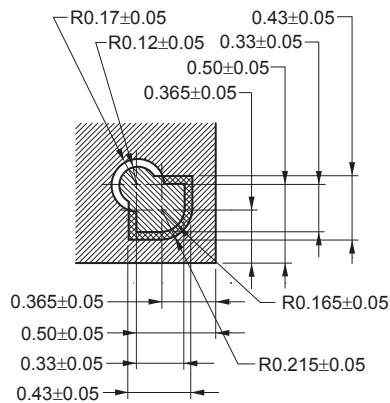
Unit: mm



DETAIL OF (C) PART

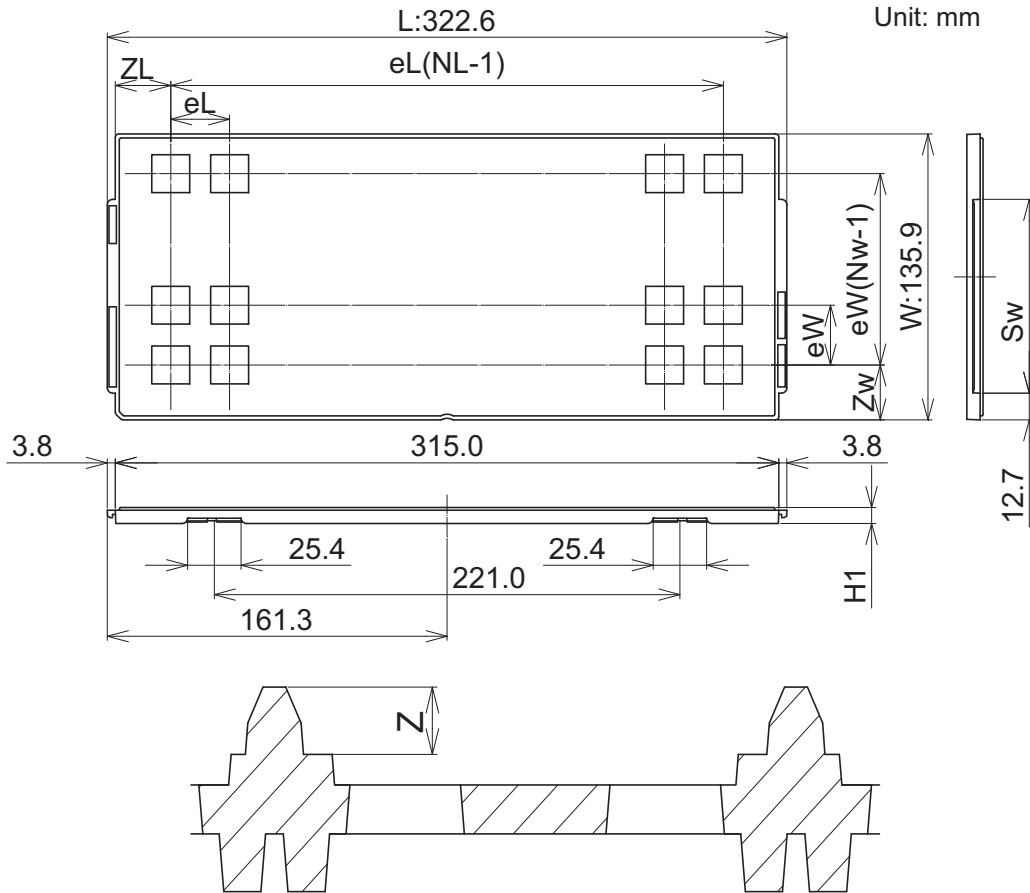


DETAIL OF (D) PART

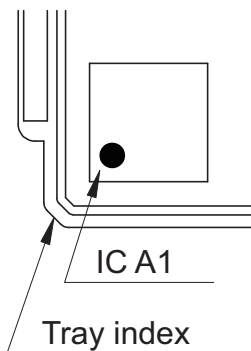


ITEM	DIMENSIONS
D	3.00±0.10
E	3.00±0.10
w	0.20
e	0.50
A	0.69±0.07
b	0.24±0.05
x	0.05
y	0.08
y1	0.20
ZD	0.50
ZE	0.50

**Packing Specification
Tray Outline Drawing
SL-LG030315TJ-1**



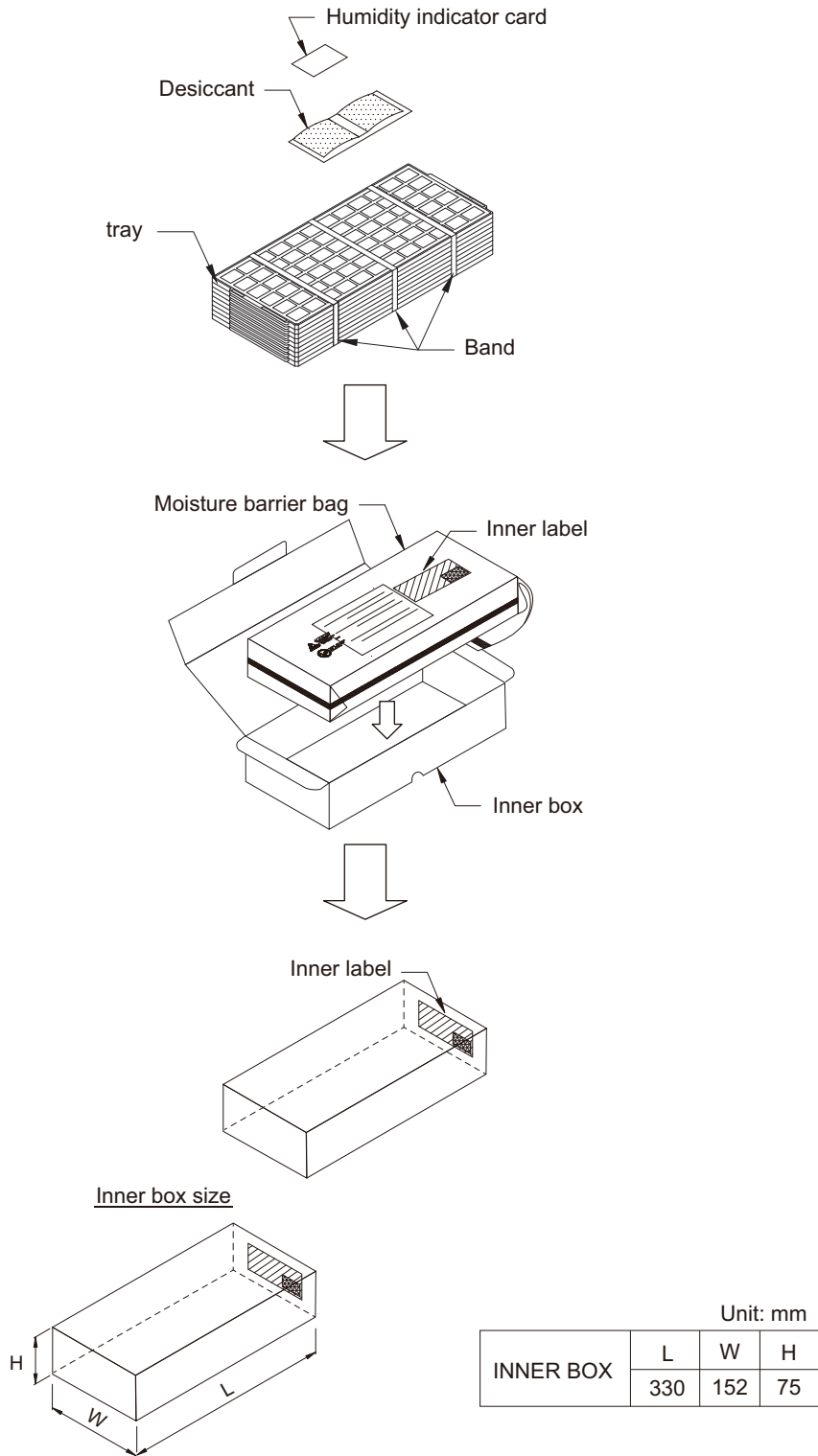
IC's are placed such that
IC A1 the same direction.



Tray Code		SL-LG030315TJ-1
Position dimension of cells	Z	1.50
	Zw	8.15
	ZL	7.90
	eW	9.20
	eL	8.80
	Sw	92.1
Thickness (mm)	H1	7.62
Number of cells	Nw	14
	NL	35
Maximum storage pcs. IC/Tray		490
Maximum storage pcs. IC/Inner box		3920
Material		Carbon PPE
Heat resistant temperature		135°C MAX
JEDEC or Custom		JEDEC
Surface resistance		Less than $1 \times 10^{11} \Omega/\square$

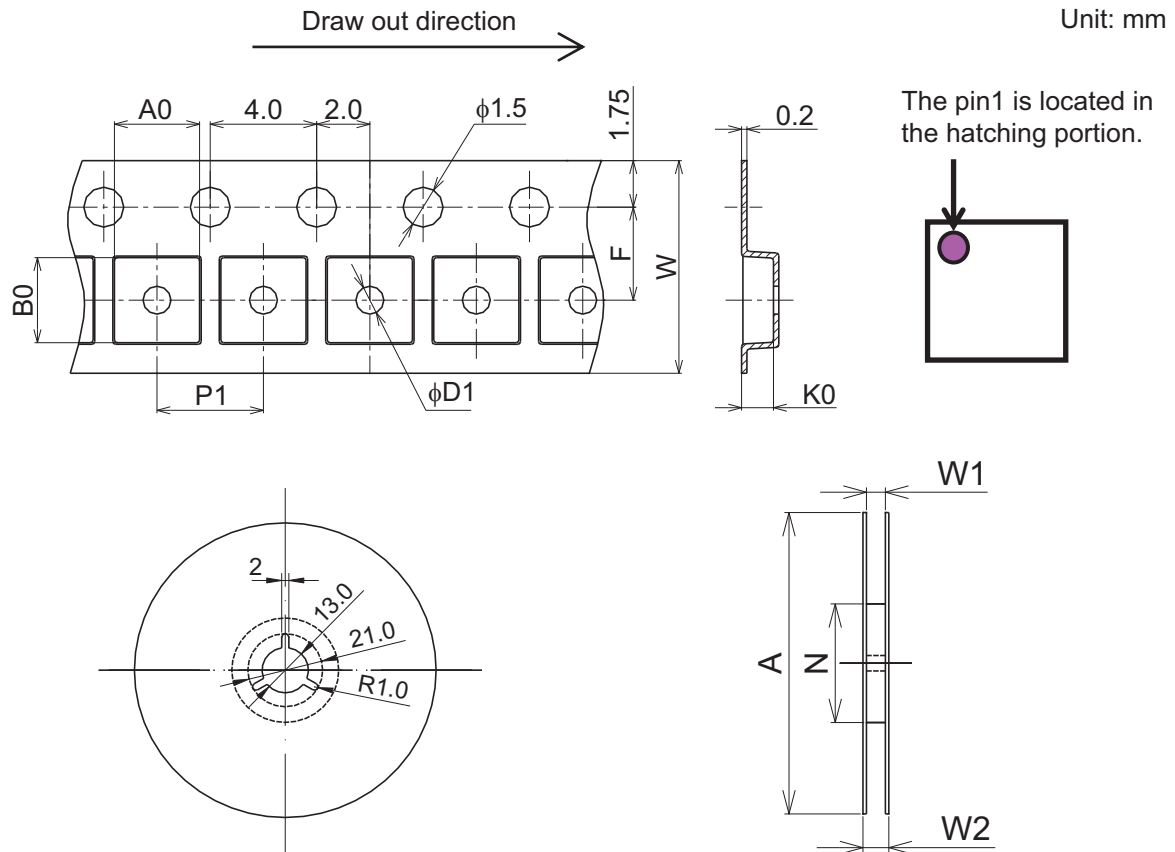
RDK-H-000892

Packing Specification
Tray Packing
(Tray dry pack)



H-000531

Packing Specification
Tape & Reel Outline Drawing
E08 * 04-51CA

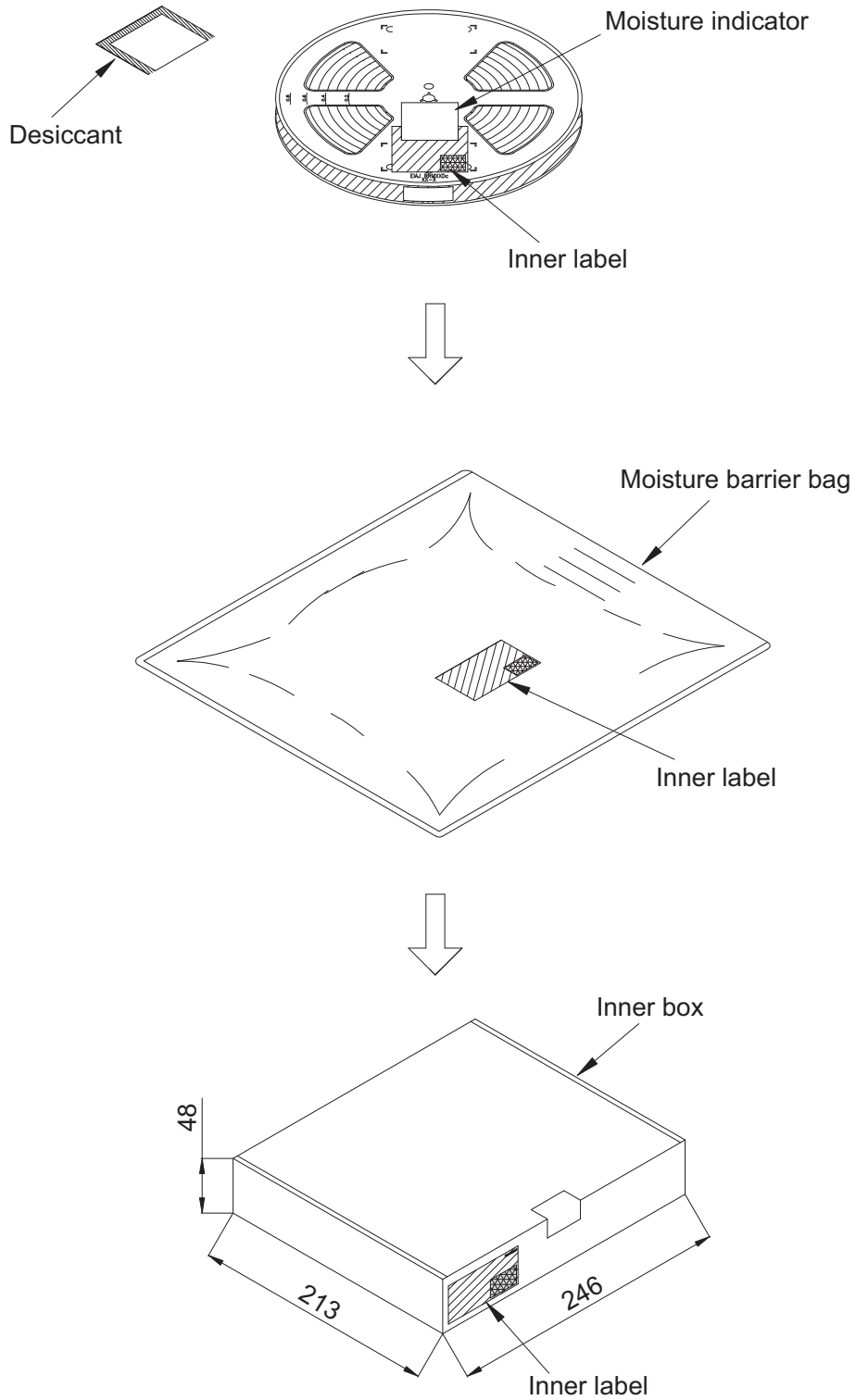


Unit: mm

Tape Code		E08 * 04-51CA
Tape Dimensions (mm)	W	8.0
	P1	4.0
	A0	3.2
	B0	3.2
	K0	1.2
	F	3.5
	D1	1.05
Reel Dimensions (mm)	A	180
	N	60
	W1	9.0
	W2	13.0
Maximum storage pcs. IC/ Reel		1000
Material		Carbon PS
Surface resistance		Less than $1 \times 10^{11} \Omega/\square$

RDK-H-001673

Packing Specification
Tape & Reel Packing
(Tape dry pack)



H-000491