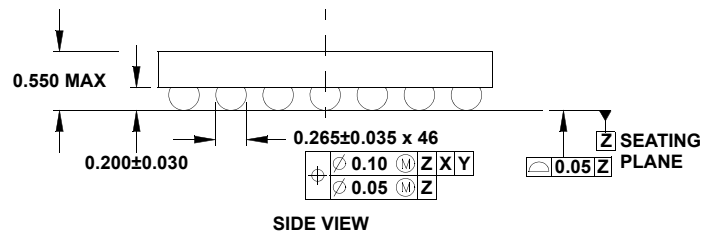
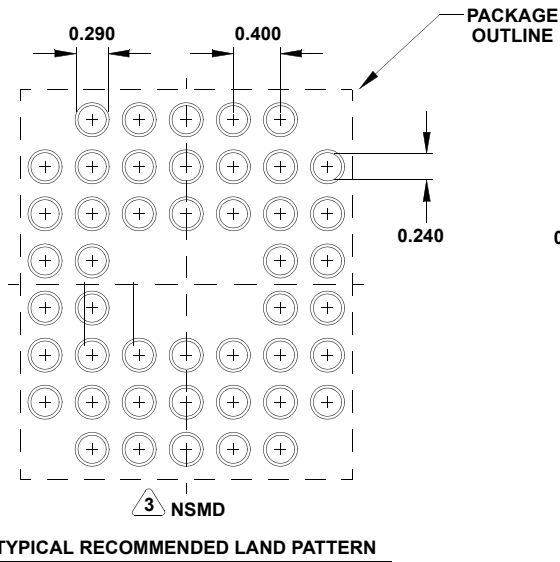
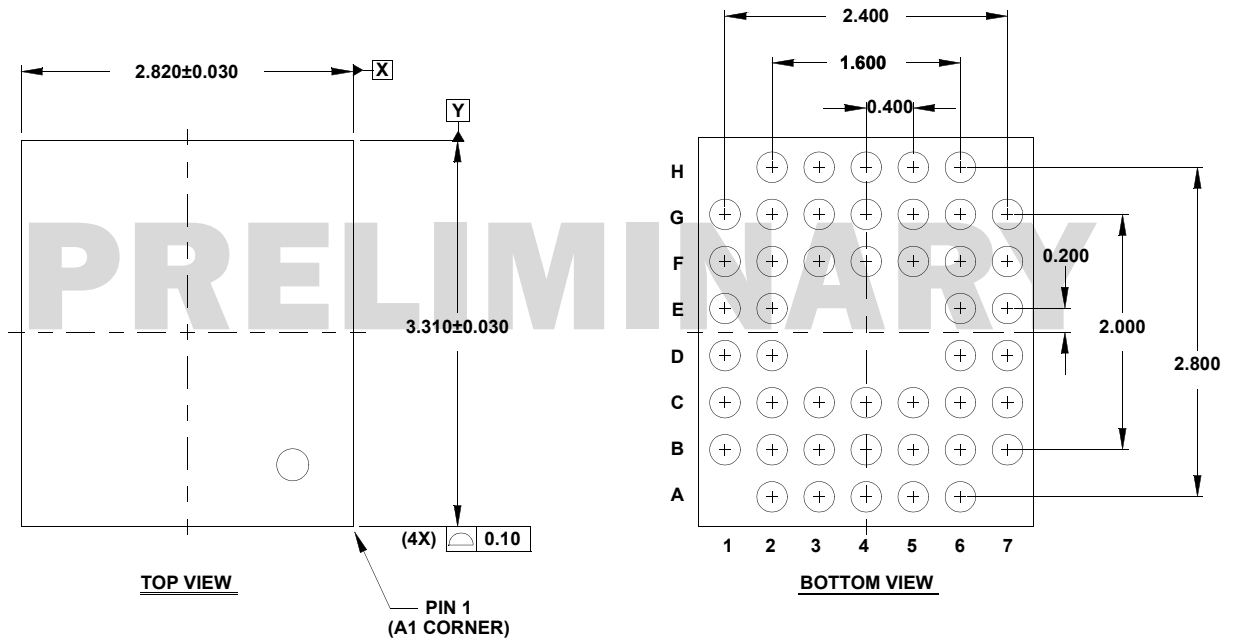


Package Outline Drawing

W7x8.46

7X8 ARRAY 46 BALLS WITH 0.40 PITCH WAFER LEVEL CHIP SCALE PACKAGE

Rev 0, 1.1/12



NOTES:

- All dimensions are in millimeters.
- Dimension and tolerance conform to ASMEY14.5-1994, and JESD 95-1 SPP-010.
- NSMD refers to non-solder mask defined pad design per Intersil Technical Brief <http://www.intersil.com/data/tb/tb451.pdf>