

Quick Start Guide

RL78/G16
Fast Prototyping Board

(1) Checking out the video guide

A video is available to help you get started with Fast Prototyping Board for RL78 Family.

The QR code for the video is at right. →

You can also check the board's full specifications on the Renesas Web site.

URL: https://www.renesas.com/RL78/G16_fpb



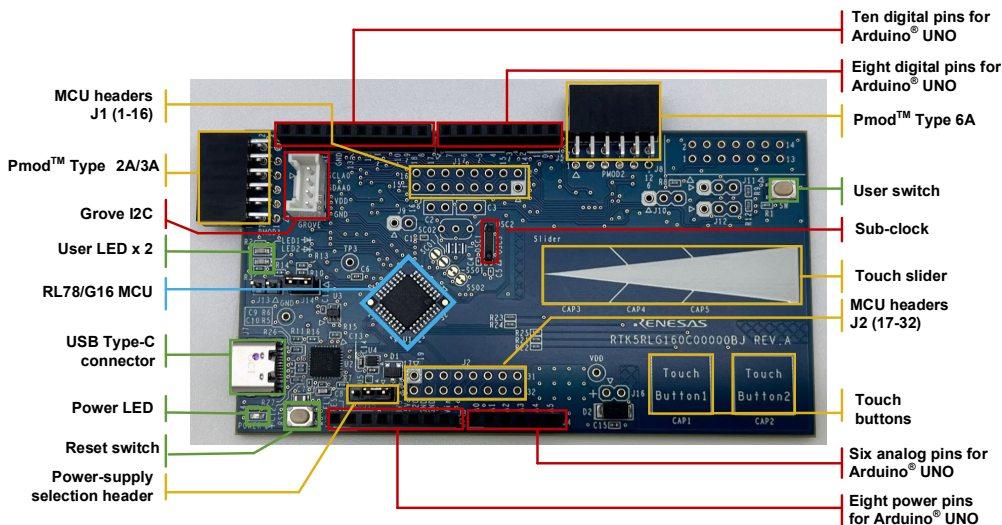
(2) Package components

RL78/G16 Fast Prototyping Board (RTK5RLG160C00000BJ) and Quick Start Guide (this document)

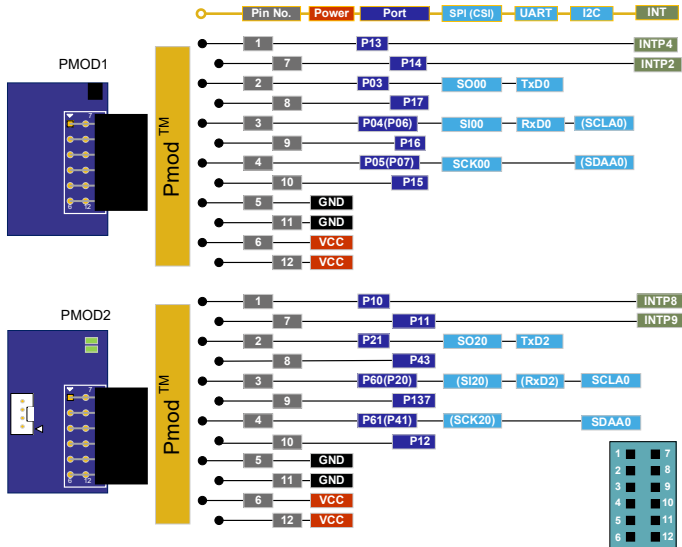
(3) Table of board specifications

Item	Specification
Evaluation MCU RL78/G16	Part No.: R5F121BCAFP; package: 32-pin LQFP On-chip memory: 32-KB ROM, 2-KB RAM, 1-KB data flash memory
Push switches	Reset switch x 1, user switch x 1
LEDs	Power indicator: green x 1, user: green x 2
Capacitive touch	Buttons x 2, slider x 1
Pmod™ connectors	Connectors: Angle type, 12 pins x 2
Arduino® connectors	Connectors: 6 pins x 1, 8 pins x 2, 10 pins x 1 The interfaces are compatible with Arduino® UNO R3.
Grove connector	Interface for Grove modules I2C: x 1

(4) Parts layout

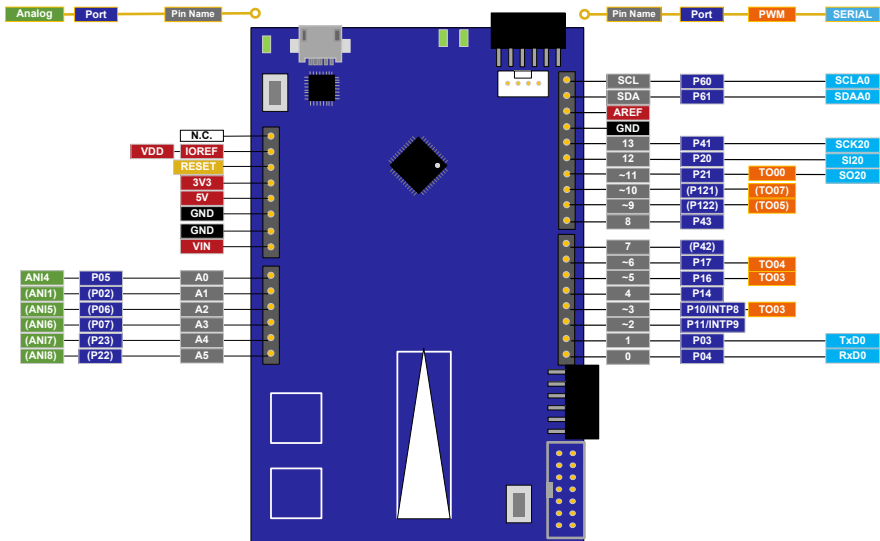


(5) Pmod™ interface



Signals enclosed in “()” requires switching the wiring by using the short-circuit pads.

(6) Arduino® interface



Signals enclosed in “()” requires switching the wiring by using the short-circuit pads.

(7) Grove interface

Pin 1	P60	SCLA0
Pin 2	P61	SDAA0
Pin 3	-	VDD
Pin 4	-	VSS