

User Manual

DA16200 DA16600 FreeRTOS Getting Started Guide

UM-WI-056

Abstract

The DA16200/DA16600 is a highly integrated ultra-low power Wi-Fi system on chip (SoC) that allows users to develop a complete Wi-Fi solution on a single chip. This document is a DA16200/DA16600 getting started guide intended to help new or existing developers quickly get started using the EVK and SDK to develop Wi-Fi applications with the DA16200/DA16600 chipset.

Contents

1	Terms and Definitions	7
2	References	7
3	Overview	8
4	Evaluation Kit	9
4.1	Introduction	9
4.2	DA16200 EVB V11.0	9
4.3	DA16600 EVB V6.0	12
4.4	Setting Up EVB	15
4.4.1	Configuring DA16200/DA16600 Serial Debug Interface	15
4.4.2	Configuring DA14531 Serial Debug Interface	16
4.5	Programming Firmware Images	17
4.5.1	Using uart_program_da16200 in Console Terminal	18
4.5.2	Using Macro Script of Tera Term	21
4.5.3	Using Multi-Download Tool	23
4.5.4	Changing Boot Index	24
4.6	Provisioning Wi-Fi	24
4.6.1	Station Mode Setup	24
4.6.2	Soft AP Mode Setup	26
4.6.3	Wi-Fi Provisioning Setup Using Bluetooth® LE	28
4.7	Configuring UART/SPI as AT Command Interface	28
4.7.1	Configuration for Testing AT Command with EVB Only	29
4.7.2	Configuration for Testing AT Command with External MCU	30
5	Software Development Kit	33
5.1	Introduction	33
5.2	System Requirements	33
5.3	Installing e ² studio IDE	33
5.4	Importing DA16200 FreeRTOS SDK Project into e ² studio	35
5.5	Building Projects	39
5.5.1	Build Configurations	41
5.5.2	Change Flash Configuration	43
5.5.3	How to Move Project Location	45
5.6	Debugging with J-Link Debug Probe	45
5.6.1	Install J-Link	45
5.6.2	Connect J-Link	46
5.6.3	Run Debug Mode	47
5.7	Programming Firmware Images in e ² studio	49
5.7.1	Importing Launches for Programming Firmware Images	49
5.7.2	Programming Firmware Images over Serial Interface	51
5.7.3	Programming Firmware Images Using SEGGER J-Link	53
5.8	Migrating IDE from Eclipse to e ² studio for Old SDKs	54
6	Test Procedures	55
6.1	Introduction	55
6.2	Ping Test	55
6.2.1	Test Setup	55

DA16200 DA16600 FreeRTOS Getting Started Guide

6.2.2	Perform Ping Test with DPM Enabled	56
6.2.3	How to Add ARP Record	57
6.3	Throughput Test	58
6.3.1	Test Setup	58
6.3.2	Throughput Test with DA16200/DA16600 as Client	59
6.3.3	Throughput Test with DA16200/DA16600 as Server	61
6.4	Current Test	61
6.4.1	Test Setup – KEYSIGHT 14585A	62
6.4.2	Test Setup with EVK PRO Board	62
6.4.3	Measure Current in Sleep Mode 1	68
6.4.4	Measure Current in Sleep Mode 2	68
6.4.5	Measure Current in Sleep Mode 3	68
6.4.6	Measure Current in DPM Low Power Mode	69
6.4.7	DPM Setup	69
Appendix A Old Versions of EVB		73
A.1	DA16200 EVB V10.0	73
A.2	DA16200 EVB V9.0	75
A.3	DA16600 EVB V5.0	78
A.4	DA16600 EVB V4.0	80
A.5	Configure DA16600 EVB V4.0 to Use AT Commands Using UART2	83
A.5.1	Turn Off Switch	83
A.5.2	Connect UART2 to FT232RL	84
Appendix B DA16200 Debug Interface Commands		86
B.1	Console Command	86
B.1.1	Root Commands	86
B.1.2	Network Commands	87
B.2	CLI Command	89
B.2.1	Overview	89
B.2.2	CLI Format	90
B.2.3	Common Commands	90
B.2.4	STA Commands	92
B.2.5	Soft AP Commands	92
B.2.6	Advanced Commands	96
B.3	MROM Command	96
B.3.1	Common Commands	96
B.3.2	Memory Access Commands	96
B.3.3	Download Commands	96
B.3.4	SFLASH Commands	97
B.3.5	Secure Commands	97
B.3.6	Additional Commands	97
Appendix C SDK Memory Maps		98
C.1	SFLASH Memory Map	98
C.1.1	DA16200	98
C.1.2	DA16600	98
C.2	SRAM Memory Map	99
Appendix D Troubleshooting		101

D.1 Boot Failure 101

 D.1.1 Check SFDP 101

 D.1.2 Recovery from Unresponsive Boot 101

Appendix E Country Codes 104

Revision History 106

Figures

Figure 1: DA16200 EVB Hardware Configuration 9

Figure 2: DA16600 EVB Hardware Configuration 12

Figure 3: Windows – COM Ports 15

Figure 4: Serial Port Setup in Tera Term 22

Figure 5: Open Macro File 22

Figure 6: Programming FBOOT Image 23

Figure 7: Programming FRTOS Image 23

Figure 8: Diagram of Provisioning via Bluetooth® LE 28

Figure 9: Configure DA16200 EVB for AT Command - UART to FT2232H 29

Figure 10: Configure DA16600 EVB for AT Command - UART to FT2232H 30

Figure 11: Configure DA16200 EVB for AT Command - UART/SPI to External MCU 30

Figure 12: Configure DA16600 EVB for AT Command - UART/SPI with External MCU 31

Figure 13: Download e²studio Installer 33

Figure 14: Run e²studio Installer 34

Figure 15: e²studio Setup 34

Figure 16: Install GNU Arm Embedded Toolchain 35

Figure 17: Import SDK Project to e²studio IDE 35

Figure 18: Select Folder to Import SDK Project into e²studio IDE 36

Figure 19: Import DA16200/DA16600 Project to e²studio IDE 37

Figure 20: Import SDKJFlash Project to e²studio IDE 37

Figure 21: Dialog SDK Project 38

Figure 22: e²studio Project Explorer 39

Figure 23: Build Project 39

Figure 24: Generate Configuration 40

Figure 25: Generate Configuration Warning Pop-Up 40

Figure 26: Location of Firmware Image Files 41

Figure 27: DA16200 Build Configurations 42

Figure 28: DA16600 Build Configurations 43

Figure 29: Import Launch Configuration 43

Figure 30: Import Generate Configuration 44

Figure 31: Run Generate Configuration 44

Figure 32: SDK Root Path Variables 45

Figure 33: Download J-Link Software 46

Figure 34: J-Link 9-pin Cortex-M Adapter 46

Figure 35: Configure Built-in JTAG for DA16200 47

Figure 36: Run Debug Mode 48

Figure 37: Select Debug Configuration 48

Figure 38: Import Launches 49

Figure 39: Browse Folder 49

Figure 40: Select Launch Configurations 50

Figure 41: Launch Configurations for Programming Firmware Images 50

Figure 42: Select Number from Serial Interface List 51

Figure 43: Programming Firmware Image over Serial Interface 52

Figure 44: Emergency Mode for Programming Firmware Image 52

Figure 45: Run J-Link Launch 53

Figure 46: Ping Test Environment 55

Figure 47: Throughput Test Environment 58

Figure 48: Disable Firewall for Iperf Test 60

DA16200 DA16600 FreeRTOS Getting Started Guide

Figure 49: Current Test Environment with 14585A	62
Figure 50: Current Test Environment with EVK PRO for DA16200	62
Figure 51: Set Up DA16200 EVB Jumper	62
Figure 52: Current Test Environment with EVK PRO for DA16600	63
Figure 53: Setup DA16600 EVB Jumper.....	63
Figure 54: DA16200/DA16600 EVK PRO Board (504-02-A)	64
Figure 55: Select Virtual COM Port	65
Figure 56: Power Profiler of SmartSnippets Toolbox	65
Figure 57: Power Profiler Configuration	65
Figure 58: Power Profiler Chart Settings	66
Figure 59: Free Running Capture	66
Figure 60: Measuring Consumption by Using Chart Controls	67
Figure 61: Setting Offset to Zero	67
Figure 62: Setting Calibration Offset	68
Figure 63: Measuring Current in DPM Low Power Mode.....	69
Figure 64: DA16200 EVB Hardware Configuration.....	73
Figure 65: DA16200 EVB V9.0 Hardware Configuration	76
Figure 66: DA16600 EVB Hardware Configuration.....	78
Figure 67: DA16600 EVB V4.0 Hardware Configuration	81
Figure 68: SW3 and SW7 UART1 Connection.....	84
Figure 69: Connect UART2 to FT2232H	84
Figure 70: Modification and Connection of EVB V4.0	85
Figure 71: System Memory Map	100

Tables

Table 1: Components on DA16200 EVB	9
Table 2: DA16200 EVB Switch Description.....	11
Table 3: Components on DA16600 EVB	12
Table 4: DA16600 EVB Switch Description.....	14
Table 5: Serial Port Configuration Values	16
Table 6: Debug Switch Settings	17
Table 7: Debug Console Settings.....	17
Table 8: Serial Flash Memory Map	18
Table 9: Default GPIO Pin Settings of UART and SPI	29
Table 10: Configure DA16200 EVB Switch for AT Command - UART to FT2232H	29
Table 11: DA16600 EVB Switch Configuration for AT Command - UART to FT2232H	30
Table 12: Configure DA16200 EVB Switch for AT Command - UART/SPI with External MCU	31
Table 13: Configure DA16200 EVB Connector for AT Command - UART/SPI with External MCU ...	31
Table 14: Configure DA16600 EVB Switch for AT Command - UART/SPI with External MCU	31
Table 15: Configure DA16600 EVB Connector for AT Command - UART/SPI with External MCU ...	32
Table 16: Components on DA16200 EVB.....	73
Table 17: DA16200 EVB Switch Description.....	74
Table 18: Components on DA16200 EVB.....	76
Table 19: GPIO and SPI Selection Switch	77
Table 20: Components on DA16600 EVB.....	78
Table 21: DA16600 EVB Switch Description.....	80
Table 22: Components on DA16600 EVB.....	81
Table 23: Description of Switches	82
Table 24: Root Commands.....	86
Table 25: Network Commands	87
Table 26: CLI Commands in Common Mode	90
Table 27: CLI Commands on STA Mode	92
Table 28: CLI Commands on Soft AP Mode	92
Table 29: Advanced CLI Commands	96
Table 30: Common Commands in MROM	96
Table 31: Memory Access Commands in MROM	96
Table 32: Download Commands in MROM.....	96

DA16200 DA16600 FreeRTOS Getting Started Guide

Table 33: SFLASH Commands in MROM..... 97
Table 34: Secure Commands in MROM 97
Table 35: Additional Commands in MROM..... 97
Table 36: 4 MB SFLASH Map for DA16200..... 98
Table 37: 4 MB SFLASH Map for DA16600..... 98
Table 38: Country Codes..... 104

1 Terms and Definitions

AP	Access Point
BSS	Basic Service Set
BUFP	Buffering Probe
COM	Communication Port
DDPS	DPM Dynamic Period Setting
DPM	Dynamic Power Management
EVK	Evaluation Kit
IDE	Integrated Development Environment
JDK	Java Development Kit
OTA	Over the Air
RTOS	Real Time Operating System
SDK	Software Development Kit
SFDP	Serial Flash Discoverable Parameter
SSID	Service Set Identifier
TIM	Traffic Indication Map
UART	Universal Asynchronous Receiver/Transmitter
UC	Unicast Packet

2 References

- [1] DA16200, Datasheet, Renesas Electronics
- [2] UM-WI-046, DA16200 DA16600 FreeRTOS SDK Programmer Guide, User Manual, Renesas Electronics
- [3] UM-B-114, DA14531 Devkit Pro Hardware, User Manual, Renesas Electronics
- [4] UM-WI-012, DA16200 SPI SFlash Downloader, User Manual, Renesas Electronics
- [5] UM-WI-003, DA16200 DA16600 Host Interface and AT Command, User Manual, Renesas Electronics
- [6] UM-WI-061, DA16200 DA16600 Getting Started with AWS-IoT Core, User Manual, Renesas Electronics
- [7] UM-WI-039, DA16200 DA16600 MultiDownloader, Renesas Electronics
- [8] UM-WI-042, DA16200 DA16600 Provisioning Mobile App, User Manual, Renesas Electronics
- [9] DA16200 DEVKT Electric Schematic, Renesas Electronics
- [10] DA16600 DEVKT Electric Schematic, Renesas Electronics
- [11] UM-WI-006, DA16200 DA16600 Hardware Design Guide

3 Overview

The DA16200/DA16600 is a highly integrated ultra-low power Wi-Fi system on chip (SoC) that allows users to develop Wi-Fi solutions using a single chip. Evaluation Kits (EVK) and SDKs are provided to simplify the process of starting a project with the DA16200 or the DA16600.

This document provides step by step guides to start using the EVK and SDK by providing details on:

- DA16200 and DA16600 EVK (see Section 4)
- Setting up EVB (see Section 4.4)
- Programming firmware images (see Section 4.5)
- Provisioning Wi-Fi (see Section 4.6)
- Configuring software development tools (see Section 5)
- Debugging applications (see Section 5.6)
- Conducting various tests with DA16200/DA16600 (see Section 6)

Once completing these steps, the EVK and development environment are ready for developing a complete Wi-Fi solution.

If Wi-Fi solutions that are being developed are based on a host MCU that only uses the DA16200/DA16600 as a Wi-Fi communication interface through AT commands, a prebuilt firmware image can be used to develop that solution. For details on how to use AT commands, see the following documents:

- UM-WI-003, DA16200 DA16600 Host Interface and AT Command, Ref. [5]
- UM-WI-061, DA16200 DA16600 Getting Started with AWS-IoT Core, Ref. [6]

If Wi-Fi solutions that are being developed require special functions or it is a standalone solution using only the DA16200/DA16600, the SDK can be used to develop a new firmware image for that solution. For more information on how to use the SDK to develop an application, see the following document:

- UM-WI-046, DA16200 DA16600 FreeRTOS SDK Programmer Guide, Ref. [2]

4 Evaluation Kit

4.1 Introduction

The DA16200 and DA16600 EVKs are designed for customers to test and develop Wi-Fi applications quickly. The EVK contains:

- Evaluation board: The specific board with DA16200MOD or DA16600MOD installed
- USB cable

4.2 DA16200 EVB V11.0

Figure 1 shows the hardware configuration of the DA16200 EVB.

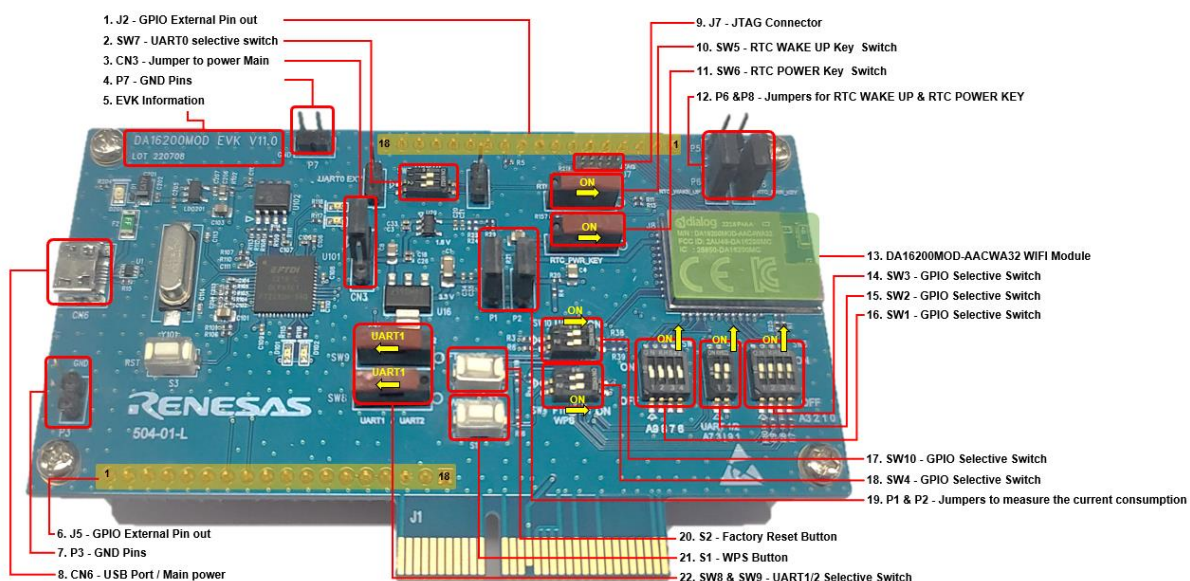


Figure 1: DA16200 EVB Hardware Configuration

DA16200 EVB V11.0 has the following components:

Table 1: Components on DA16200 EVB

No	Name	Description
1	J2 – GPIO External pin-out	
2	SW7– UART0 selection switch	UART0 selection switch, default ON. See Table 2
3	CN3 – Jumper to POWER	5 V power selection from USB or External
4	P7 – GND Pins	GND for test
5	Board Information	Board version and manufacturing date

DA16200 DA16600 FreeRTOS Getting Started Guide

No	Name	Description
16	J5 – GPIO External pin-out	
7	P3 – GND Pins	GND for test
8	CN6 – USB Port	Provide UART0 for debug, UART1/2 for test and SPI
9	J7 – JTAG connector	Connector for the IAR I-jet JTAG Debugger <p>Note: Pin 7 of the I-Jet debugger cable is keyed with a white plug so pin 7 must be removed from the EVB</p>
10	SW5 – RTC_WAKE_UP switch	Switch to wake up the board from sleep mode
11	SW6 – RTC_PWR_KEY switch	Switch to turn the EVB ON and OFF
12	P6 – Jumpers for RTC_WAKE_UP1	Pin for connecting the external control signal with MCU. For normal operation, this jumper should be shorted
13	DA16200MOD-AACWA32	Renesas Wi-Fi Module
14	SW3 – GPIO selection switch	GPIO selection switch, default OFF. See Table 2
15	SW2 – GPIO selection switch	GPIO selection switch, default ON. See Table 2
16	SW1 – GPIO selection switch	GPIO selection switch, default OFF. See Table 2
17	SW10 – GPIO selection switch	GPIO selection switch, default ON. See Table 2
18	SW4 – GPIO selection switch	GPIO selection switch, default ON. See Table 2
19	P1 – External VDD	External VDD (3.3 V) can be supplied to the P1 pins. For normal operation, this jumper should be shorted
	P2 – Jumper to measure current consumption of the DA16200	Pin for current measurement. For normal operation, this pin should be shorted. <ul style="list-style-type: none"> - Pull out the Short Pin cap and use jumper wires to connect to the measuring equipment
20	S2 – Factory Reset button	Factory Reset button using GPIOA_7. To enable this button, set Pin 2 of SW4 to ON. Press the button for at least 5 seconds to delete <code>nvsram</code> data and certificates, and perform SW reboot, which will be rebooted in concurrent mode by default
21	S1 – WPS button	WPS button using GPIOA_6. To enable this button, set Pin 1 of SW4 to ON and press the button to start WPS mode

DA16200 DA16600 FreeRTOS Getting Started Guide

No	Name	Description
22	SW8, SW9 – UART1/2 selection switch	UART1/2 selection switch, default LEFT (UART1). See Table 2

Table 2: DA16200 EVB Switch Description

Switch	Pin	Relevant GPIO	ON	OFF	Default
SW1	1	GPIOA6	Connect FT2232H to SPI_CSB (Note 1)	WPS	OFF
	2	GPIOA7	Connect FT2232H to SPI_CLK (Note 1)	Factory reset	
	3	GPIOA8	Connect FT2232H to SPI_MISO (Note 1)	External pin-out (J2/J5) only	
	4	GPIOA9	Connect FT2232H to SPI_MOSI (Note 1)		
SW2	1	GPIOA4	Connect FT2232H to UART1_TXD	External pin-out (J2/J5) only	ON
	2	GPIOA5	Connect FT2232H to UART1_RXD		
SW3	1	GPIOA0	Connect FT2232H to SPI_CSB (Note 1)	External pin-out (J2/J5) only	OFF
	2	GPIOA1	Connect FT2232H to SPI_CLK (Note 1)		
	3	GPIOA2	Connect FT2232H to SPI_MISO (Note 1)		
	4	GPIOA3	Connect FT2232H to SPI_MOSI (Note 1)		
SW4	1	GPIOA6	WPS	External pin-out (J2/J5) only	ON
	2	GPIOA7	Factory reset		
SW7	1	UART0_TXD	Connect FT232H to UART0_TXD	NC	ON
	2	UART0_RXD	Connect FT232H to UART0_RXD		
SW8	-	GPIOA4	Not available on DA16200 EVB V11.0 (Right)	Connect SW2 to SW10 (Left)	LEFT
SW9	-	GPIOA5	Not available on DA16200 EVB V11.0 (Right)	Connect SW2 to SW10 (Left)	LEFT
SW10	1	GPIOA4	Connect SW8 to UART1_TXD	External pin-out (J2/J5) only	ON
	2	GPIOA5	Connect SW9 to UART1_RXD		

Note 1 By default, the SPI interface is configured to support firmware download through the FT2232H. See section 4.7 for details on how to configure the EVB to support AT command processing from an MCU directly connected to the SPI interface.

The current consumption can be measured at P2 jumper with current measuring equipment. See Section 6.4 for details on the test setup. When DA16200 EVK Pro is used for measuring current consumption, the P1 jumper must be removed. For more information on DA16200 EVK Pro, see 6.4.2, and for DA16200 EVB, see Ref. [9].

DA16200 DA16600 FreeRTOS Getting Started Guide

4.3 DA16600 EVB V6.0

Figure 2 shows the hardware configuration of the DA16600 EVB.

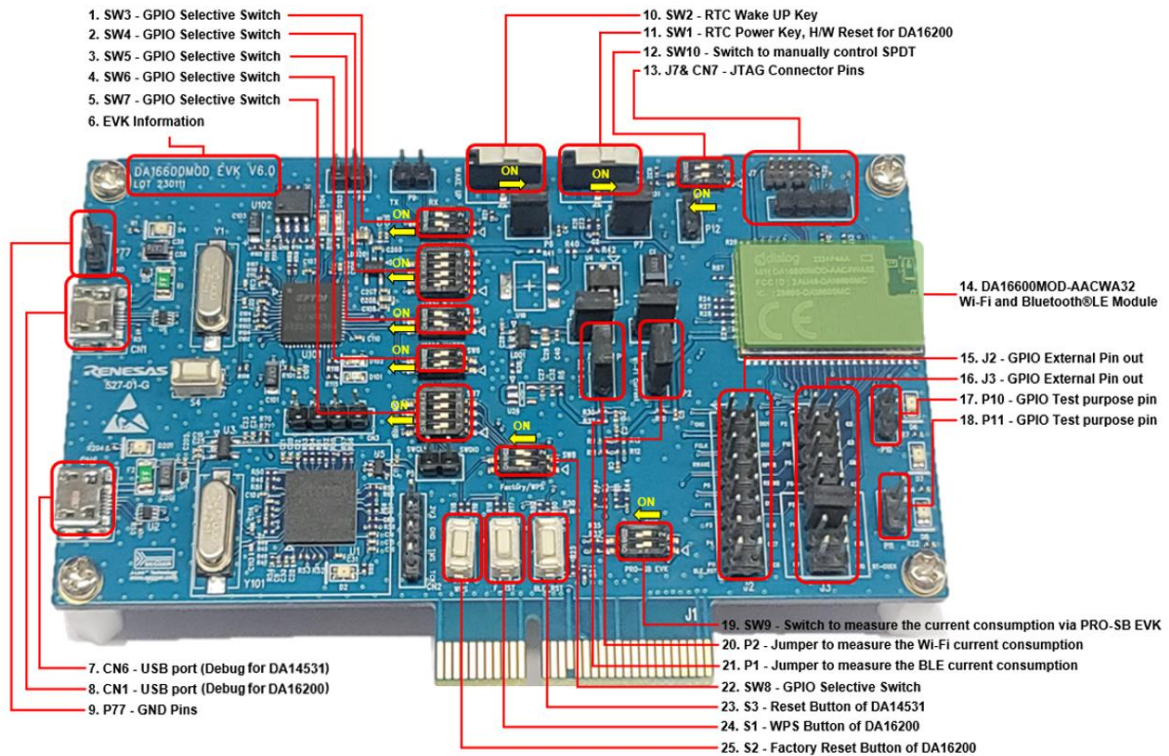



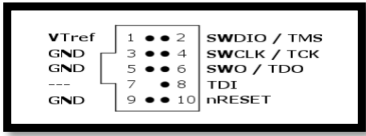
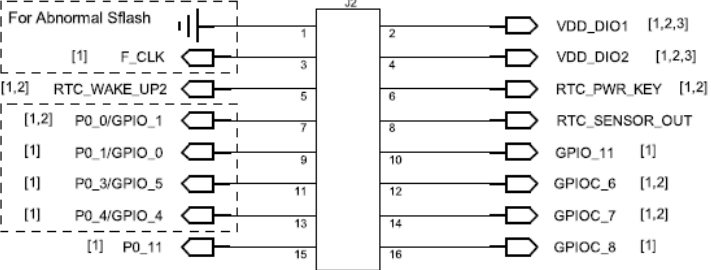
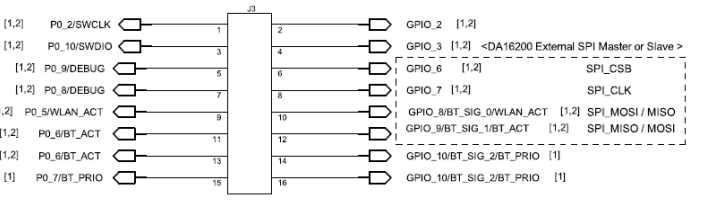
Figure 2: DA16600 EVB Hardware Configuration

DA16600 EVB has the following components:

Table 3: Components on DA16600 EVB

No	Name	Description
1	SW3 – GPIO selective Switch	GPIO selection switch, default ON. See Table 4
2	SW4 – GPIO selective Switch	GPIO selection switch, default OFF. See Table 4
3	SW5 – GPIO selective Switch	GPIO selection switch, default ON. See Table 4
4	SW6 – GPIO selective Switch	GPIO selection switch, default OFF. See Table 4
5	SW7 – GPIO selective Switch	GPIO selection switch, default OFF. See Table 4
6	Board information	Board version and manufacturing date
7	CN6 – USB Port (BLE)	Connect directly to DA14531 for debug only. Note: Do not use this port during normal operation
8	CN1 – USB Port (Wi-Fi)	Provide UART0 for debug and UART2 for other purposes
9	P77 – GND Pins	GND
10	SW2 – RTC Wake up2 key	Switch to wake up the board from sleep mode
11	SW1 – RTC Power key	Switch to turn the EVB ON and OFF
12	SW10 – Switch to control the SPDT	Switch to control RF switch of DA16600MOD in test mode, default OFF
13	J7 & CN7 – JTAG Connector	Connector for IARs I-jet JTAG Debugger

DA16200 DA16600 FreeRTOS Getting Started Guide

No	Name	Description
		  <p>Note: Pin 7 on the I-Jet debugger cable is keyed with a white plug so pin 7 must be removed from the EVB</p>
14	DA16600MOD-AACWA32	Renesas Wi-Fi and Bluetooth® LE Module
15	J2 – External pin-out	
16	J3 – External pin-out	 <p>P0_6 (Pin #11) should be connected to GPIOA9 (Pin #12) or GPIOA10 (Pin #14) externally for BLE-Wi-Fi COEX</p>
17	P10 – Jumper to test GPIO	GPIO test pin. Add jumpers from J2/J3 to P10 to control the two LEDs using GPIOs
18	P11 – Jumper to test GPIO	GPIO test pin. Add jumpers from J2/J3 to P11 to control the two LEDs using GPIOs
19	SW9 – Switch to test current consumption	Switch to test current consumption using a pro board kit, default OFF
20	P2 – Jumper to measure current consumption of DA16200	Jumper to measure current used by the Wi-Fi device. For normal operation, this jumper must be shorted
21	P1 – Jumper to measure current consumption of DA14531	Jumper to measure current used by the Bluetooth® LE device. For normal operation, this jumper must be shorted
22	SW8 – GPIO selective Switch	GPIO selection switch, default ON. See Table 4
23	S3 – DA14351 Reset button	Reset button of DA14531 in test mode
24	S1 – WPS button	WPS button using GPIOA6. To enable this button, set Pin 1 of SW7 to ON and press the button to start WPS mode
25	S2 – Factory Reset button	Factory Reset button using GPIOA_7. To enable this button, set Pin 2 of SW4 to ON. Press the button for at least 5 seconds to delete nvram data and certificates, and perform SW reboot, which will be rebooted in concurrent mode by default

DA16200 DA16600 FreeRTOS Getting Started Guide

DA16600 EVB includes several switches, see the descriptions in [Table 4](#) for each switch.

Table 4: DA16600 EVB Switch Description

Switch	Pin	Relevant Pin		ON	OFF	Default
SW3	1	DA16200	UART0_RXD	Connect FT232H to UART0_RXD	NC	ON
	2		UART0_TXD	Connect FT232H to UART0_TXD		
SW4	1	DA14531	P0_8	Connect FT2232H to P0_8 (UART_RXD)	External pin-out (J2/J3) only	OFF
	2		P0_9	Connect FT2232H to P0_9 (UART_TXD)		
	3		P0_2	Enable Keil toolchain debug of DA14531 (SWCLK)		
	4		P0_10	Enable Keil toolchain debug of DA14531 (SWDIO)		
SW5	1	DA16200	GPIOC6	Connect FT2232H to UART2_TXD	External pin-out (J2/J3) only	ON
	2		GPIOC7	Connect FT2232H to UART2_RXD		
SW6	1	DA14531	P0_5	Connect FT2232H to P0_5 (1-wire UART)	External pin-out (J2/J3) only	OFF
	2			Connect FT2232H to P0_5 (1-wire UART)		
SW7	1	DA16200	GPIOA6	Not available on DA16600 EVB V5.0	External pin-out (J2/J3) only	OFF
	2		GPIOA7			
	3		GPIOA8			
	4		GPIOA9			
SW8	1	DA16200	GPIOA6	WPS	External pin-out (J2/J3) only	ON
	2		GPIOA7	Factory reset		
SW9	1	DA16200	Measuring current consumption	Enable to measure current consumption of DA16200 with EVK Pro. Need to remove jumper P2	Normal operation / Need to connect P2	OFF
	2	DA14531	Measuring current consumption	Enable to measure current consumption of DA14531 with EVK Pro. Need to remove jumper P1		
SW10	1	DA14531	P0_6	Manual control of the internal RF SPDT.		OFF
	2			Pin 1 OFF & Pin 2 OFF: internally controlled. Pin 1 ON & Pin 2 OFF: DA14531 RF path ON Pin 1 OFF & Pin 2 ON: DA16200 RF path ON		

The current consumption can be measured at jumpers P1 and P2 with current measuring equipment. See [Section 6.4](#) for details on the test setup.

When DA16600 EVK Pro is used for measuring current consumption, remove jumpers P1 and P2 and set pins 1 and 2 of SW9 to the ON position. To measure the current consumption of DA16200, remove the jumper on P2 and turn ON pin 1 of SW9. To measure the current consumption of DA14531, remove the jumper on P1 and turn ON pin 2 of SW9. The current consumption of the DA16200 and the DA14531 can be measured simultaneously. For more information on the DA16600 EVB, see Ref. [\[10\]](#).

DA16200 DA16600 FreeRTOS Getting Started Guide

4.4 Setting Up EVB

Before setting up Evaluation Board (EVB), ensure that the EVB and the required software are properly connected and installed. To establish a connection, use the USB cable included in the EVK to connect the host computer and the EVB.

4.4.1 Configuring DA16200/DA16600 Serial Debug Interface

The DA16200/DA16600 provides a command/debug interface on UART0 for performing configuration and diagnostic functions. When the EVB is connected to the USB port (**CN6** on the DA16200 EVB or **CN1** on the DA16600 EVB), open Device Manager to see whether two virtual COM ports are created.

- For Windows, the two COM ports are displayed in the Device Manager (see [Figure 3](#))

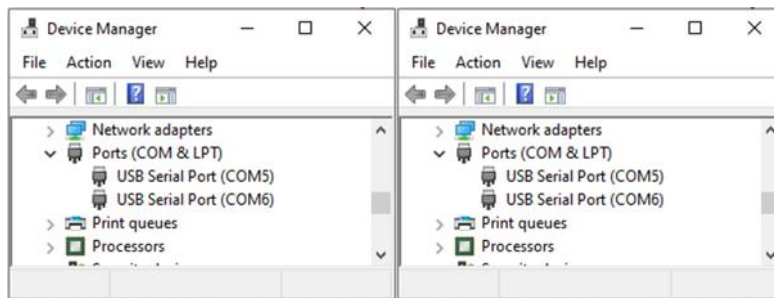


Figure 3: Windows – COM Ports

NOTE

If Windows Device Manager displays **Unknown Device**, the FTDI serial driver is not installed. Download the driver from the following URL and install it manually:
http://www.ftdichip.com/Drivers/CDM/CDM21224_Setup.zip.

- For Linux, the COM ports are created in the `/dev` directory as `ttyUSBx` devices.

```
$
$ ls -l /dev/ttyU*           List the available ttyUSB serial
ports.
crw-rw---- 1 root dialout 188, 0 Aug 25 10:26 /dev/ttyUSB0
crw-rw---- 1 root dialout 188, 1 Aug 25 10:26 /dev/ttyUSB1
$
```

The lower numbered COM port (COM5 in [Figure 3](#)) is for the DA16200/DA16600 debug interface. The higher numbered COM port is for the DA16200/DA16600 AT command interface.

NOTE

On the DA16600, the higher numbered COM port can also be configured as the DA14531 serial debug interface. See [Section 4.4.2](#).

A serial terminal application can be used for debugging DA16200/DA16600.

For Windows, the **Tera Term** terminal emulator program is recommended and can be downloaded from: <https://ttssh2.osdn.jp>.

For Linux, the **minicom** terminal emulation program is recommended and can be installed using:

```
$
$ sudo apt install minicom   Command to install minicom.
$
```

Once the terminal emulation application has been installed, connect the USB cable to the EVB (**CN6** on DA16200 EVB or **CN1** on DA16600 EVB) and start the terminal emulation program.

DA16200 DA16600 FreeRTOS Getting Started Guide

In the terminal emulation program, go to the **Serial Port Setup** and select the lower numbered COM port and configure it as follows.

Table 5: Serial Port Configuration Values

Settings	Value
Baud Rate	230400
Data Bits	8
Parity	None
Stop Bits	1
Flow Control (HW/SW)	None

Turn ON the EVB (**SW6** on the DA16200 EVB or **SW2** on the DA16600 EVB) and check for output similar to the following:

```

Wakeup source is 0x4
[dpm_init_retmemory] DPM INIT CONFIGURATION(1)

*****
*                               DA16200 SDK Information                               *
* -----*
*
* - CPU Type           : Cortex-M4 (120 MHz)
* - OS Type            : FreeRTOS 10.4.3
* - Serial Flash       : 4 MB
* - SDK Version        : V3.1.3.0 GEN
* - F/W Version        : FRTOS-GEN01-01-15129-000000
* - F/W Build Time    : Aug 26 2021 22:58:01
* - Boot Index        : 0
*
*****

System Mode : Station Only (0)
>>> DA16x Supp Ver2.7 - 2020_07
>>> MAC address (sta0) : d4:3d:39:10:a2:48
>>> sta0 interface add OK
>>> Start STA mode...
[/DA16200] #
    
```

Commands can be entered in the `[/DA16200]` prompt. A full list of the available debug interface commands can be found in [Appendix B](#).

4.4.2 Configuring DA14531 Serial Debug Interface

This section is for DA16600 only and is required for special cases where access to the DA14531 Bluetooth devices debug terminal is needed.

The DA16600 EVB contains the DA14531 Bluetooth device which is used for provisioning of the DA16600 Wi-Fi interface using a mobile application. On the DA16600 EVB, the DA14531 debug interface can be connected to the higher numbered COM port that is created when the USB cable is connected to **CN1**.

To enable the DA14531 debug interface, follow the settings below for **SW4**, **SW5**, **SW6** and **SW7**.

DA16200 DA16600 FreeRTOS Getting Started Guide

Table 6: Debug Switch Settings

Switch	Pin	Relevant Pin		ON	Default
SW4	1	DA14531	P0_8	Connect FT2232H to P0_8 (UART_RXD)	ON
	2		P0_9	Connect FT2232H to P0_9 (UART_TXD)	
	3		P0_2	Enable Keil toolchain debug of DA14531 (SWCLK)	Don't care
	4		P0_10	Enable Keil toolchain debug of DA14531 (SWDIO)	
SW5	1	DA16200	GPIOC6	Connect FT2232H to UART2_TXD	OFF
	2		GPIOC7	Connect FT2232H to UART2_RXD	
SW6	1	DA14531	P0_5	Connect FT2232H to P0_5 (1-wire UART)	OFF
	2			Connect FT2232H to P0_5 (1-wire UART)	
SW7	1	DA16200	GPIOA6	Not available on DA16600 EVB V5.0	OFF
	2		GPIOA7		
	3		GPIOA8		
	4		GPIOA9		

Once the switches are set properly, open a serial terminal application, and select the higher numbered COM port. Configure the higher numbered COM port as follows:

Table 7: Debug Console Settings

Settings	Value
Baud Rate	115200
Data Bits	8
Parity	None
Stop Bits	1
Flow Control (HW/SW)	None

Open a second serial terminal application and connect to the DA16200 debug console and run the `reboot` command. Then, the following output appears in the DA14531 debug console:

```
user_on_init
```

NOTE

The `uart_program_da16200` in followed section can be used for debug console of DA16200 but it cannot be used with DA14531. Other console program like `tera term` or `minicom` can be used for DA14531 debug console.

4.5 Programming Firmware Images

When using an EVB for the first time, the firmware must be updated to the latest version.

Prebuilt versions of the firmware for DA16200 and DA16600 can be downloaded from the Renesas Electronics' website. Go to the Renesas website (<https://www.renesas.com/us/en/products/wireless-connectivity/wi-fi/low-power-wi-fi>) and scroll down to the Software Downloads section. Find or enter "DA16200 DA16600 FreeRTOS SDK Image" in the search box, and then select the firmware and download. Alternately, the DA16200/DA16600 SDK can be used to rebuild the firmware images as described in Section 5.

There are two firmware images for the DA16200:

```
DA16200_FBOOT-GEN01-01-834dea5b8_W25Q32JW.img
DA16200_FRTOS-GEN01-01-866facc56-000000.img
```

DA16200 DA16600 FreeRTOS Getting Started Guide

There are three firmware images for the DA16600 since it also requires the DA14531 firmware image:

```
DA16600_FBOOT-GEN01-01-834dea5b8_AT25SL321.img
DA16600_FBOOT-GEN01-01-834dea5b8_W25Q32JW.img
DA16600_FRTOS-GEN01-01-866facc56-000000.img
DA14531_P/da14531_multi_part_proxr.img
```

NOTE	
<p>There are two versions of the DA16600 EVB: the Adesto AT25SL321 serial flash and the Winbond W25Q32JW serial flash.</p> <p>Check the flash version by running <code>sflash info</code> command in the [MROM] prompt:</p>	
<pre>[/DA16600] # reset Switch to MROM command mode. Reset BLE ... [MROM] sflash info Display the flash information. SFLASH:ef601615 Density:01ffffff ef601615: Winbond W25Q32JWSNIQ 1f421615: Adesto AT25SL321</pre>	
<p>Choose the appropriate firmware image based on the flash version.</p>	

These firmware images are stored in the following locations in the flash.

Table 8: Serial Flash Memory Map

Item	4 MB		Notes
	Address	Size	
2nd Bootloader	0x0000_0000	136 kB	BOOT firmware image
Boot Index	0x0002_2000	4 kB	Selects RTOS #0 or RTOS #1 as the active firmware
RTOS #0	0x0002_3000	1788 kB	RTOS firmware image
RTOS #1	0x001E_2000	1792 kB	Alternate RTOS firmware image (Used during OTA firmware update)
Certificate, NVRAM	0x003A_2000	44 kB	-
User Area #01	0x003A_D000	332 kB	For DA16600, the DA14531 firmware image is stored here

NOTE
See Section 4.5.4 on how to select which firmware image is active (RTOS #0 or RTOS #1).

Each firmware image is downloaded individually through the debug serial port of the DA16200/DA16600 using the **Y-Modem** file transfer protocol.

4.5.1 Using `uart_program_da16200` in Console Terminal

This tool is a prebuilt console program which can be used in Windows, Linux, or Python environment. The tool can be found in the folders listed below.

- `<sdk_root_directory>/utility/j-link/scripts/qspi/win/ -> uart_program_da16200.exe`
- `<sdk_root_directory>/utility/j-link/scripts/qspi/linux -> uart_program_da16200`
- `<sdk_root_directory>/utility/j-link/scripts/qspi/python-> uart_program_da16200.py`

DA16200 DA16600 FreeRTOS Getting Started Guide

To program firmware images to DA16200/DA16600, complete the following steps:

1. Copy the console program to the folder which has the images for DA16200/DA166000.
2. Connect the EVB to the host computer using a Micro USB cable.
3. Power ON the DA16200/DA16600 EVB.
4. Type `uart_program_da16200(.exe) -i <start address> <image name>` and click **Enter**.
 - a. Example for FBOOT firmware image: `uart_program_da16200.exe -i 0 DA16600_FBOOT-GEN01-01-c7f4c6cc22_AT25SL321.img`
 - b. Example for FRTOS firmware image: `uart_program_da16200.exe -i 23000 DA16600_FRTOS-GEN01-01-0561372b7c-006529.img`
 - c. Example for DA14531 firmware image: `uart_program_da16200.exe -i 3AD000 da14531_multi_part_proxr.img`
5. Select **number** from the list of COM port and click **Enter**.

```
d:\download>uart_program_da16200.exe -i 0 DA16200_FBOOT-GEN01-01-c7f4c6cc22_W25Q32JW.img
uart_program_da16200 Version 1.0.5
0. COM75 - USB Serial Port (COM75)
1. COM76 - USB Serial Port (COM76)
Please enter a number from the list of your COM port and click Enter.
--> 0
```

Programming is done automatically so that it needs to confirm whether the images are programmed completed successfully. Repeat steps 4~6 to program the FRTOS firmware image and the DA14531 firmware image (if using DA16600MOD) as follows.

```
d:\download>uart_program_da16200.exe -i 0 DA16200_FBOOT-GEN01-01-c7f4c6cc22_W25Q32JW.img
uart_program_da16200 Version 1.0.5
0. COM75 - USB Serial Port (COM75)
1. COM76 - USB Serial Port (COM76)
Please enter a number from the list of your COM port and click Enter.
--> 0
Selected COM port = COM75 - USB Serial Port (COM75)
Entering download mode...
Preparing for download...
Read DA16200_FBOOT-GEN01-01-c7f4c6cc22_W25Q32JW.img
Ready for download.
Download file 1: DA16200_FBOOT-GEN01-01-c7f4c6cc22_W25Q32JW.img : 100.00% : 8.12s
Done successfully.

d:\download>uart_program_da16200.exe -i 23000 DA16200_FRTOS-GEN01-01-c4ca8087e8-006537.img
uart_program_da16200 Version 1.0.5
0. COM75 - USB Serial Port (COM75)
1. COM76 - USB Serial Port (COM76)
Please enter a number from the list of your COM port and click Enter.
--> 0
Selected COM port = COM75 - USB Serial Port (COM75)
Entering download mode...
Preparing for download...
Ready for download.
Download file 1: DA16200_FRTOS-GEN01-01-c4ca8087e8-006537.img : 100.00% : 72.76s
```

DA16200 DA16600 FreeRTOS Getting Started Guide

Done successfully.

6. Confirm logs from DA16200/DA16600 for checking DA16200/DA16600 works properly as follows:
 - a. Type `uart_program_da16200(.exe)`
 - b. Select **number** in the list of COM port and click **Enter**
 - c. Type `reboot`

```
d:\download>uart_program_da16200.exe
uart_program_da16200 Version 1.0.5
0. COM75 - USB Serial Port (COM75)
1. COM76 - USB Serial Port (COM76)
Please enter a number from the list of your COM port and click Enter.
--> 0
Selected COM port = COM75 - USB Serial Port (COM75)
Entering console mode...
Ready for console mode. Input anything.

[/DA16200] # reboot
reboot

Wakeup source is 0x0
[dpm_init_retmemory] DPM INIT CONFIGURATION(1)

*****
*           DA16200 SDK Information
* -----
*
* - CPU Type       : Cortex-M4 (120 MHz)
* - OS Type        : FreeRTOS 10.4.3
* - Serial Flash   : 4 MB
* - SDK Version    : V3.2.8.0 GEN
* - F/W Version    : FRTOS-GEN01-01-c4ca8087e8-006537
* - F/W Build Time : Jul 31 2023 14:07:09
* - Boot Index     : 0
*
*****

System Mode : Station Only (0)
>>> Start DA16X Supplicant ...
>>> DA16x Supp Ver2.7 - 2022_03
>>> MAC address (sta0) : d4:3d:39:11:34:fc
>>> sta0 interface add OK
>>> Start STA mode...
>>> Hello World #1 ( Non network dependent application ) !!!
```

7. Reset to factory defaults:

If it is the first time using the EVB or to delete `nvr` data and certificates, run the factory command.

DA16200 DA16600 FreeRTOS Getting Started Guide

```

[/DA16200] # factory
factory
FACTORY RESET [N/y/?] y
Y

--Start Factory-Reset ...
Rebooting....

Wakeup source is 0x0
[dpm_init_retmemory] DPM INIT CONFIGURATION(1)

*****
*           DA16200 SDK Information
* -----
*
* - CPU Type       : Cortex-M4 (120 MHz)
* - OS Type        : FreeRTOS 10.4.3
* - Serial Flash   : 4 MB
* - SDK Version    : V3.2.8.0 GEN
* - F/W Version    : FRTOS-GEN01-01-c4ca8087e8-006537
* - F/W Build Time : Jul 31 2023 14:07:09
* - Boot Index     : 0
*
*****

System Mode : Station Only (0)
>>> Start DA16X Supplicant ...
>>> DA16x Supp Ver2.7 - 2022_03
>>> MAC address (sta0) : d4:3d:39:11:34:fc
>>> sta0 interface add OK
>>> Start STA mode...
>>> Hello World #1 ( Non network dependent application ) !!!

```

Once the firmware images are programmed successfully, the device can be configured by doing the Wi-Fi provisioning process. See Section 4.6 for details on how provision the Wi-Fi communication interface. For more information on how to use `uart_program_da16200(.exe/py)`, see `README.md` in `python` folder.

4.5.2 Using Macro Script of Tera Term

This tool is for Windows only and the programming can be done automatically using a macro script of tera term. This macro files are available in the `SDKROOT\apps\da16200\get_started\projects\da16200` or `da16600\img\` folder in SDK package or each image folder of image package. The serial port should be set up as shown in Figure 4. The lower numbered COM port should be selected for DA16200 debug interface.

DA16200 DA16600 FreeRTOS Getting Started Guide

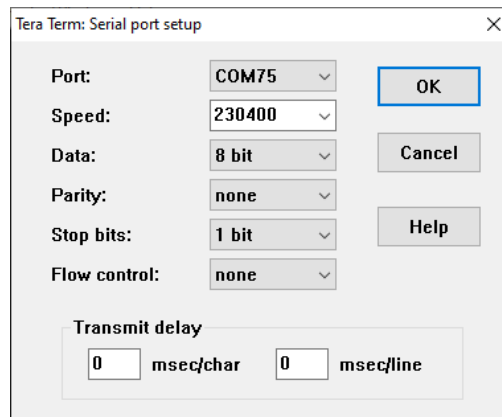


Figure 4: Serial Port Setup in Tera Term

The macro can be run as follows.

1. Once tera term is running and connected to the DA16200/DA16600, open the **Control** tab, and select the **Macro** menu item.
2. When the **MACRO: Open Macro** file selection window opens, navigate to the directory where the firmware images are stored and select the **.ttl** file as shown in [Figure 5](#).

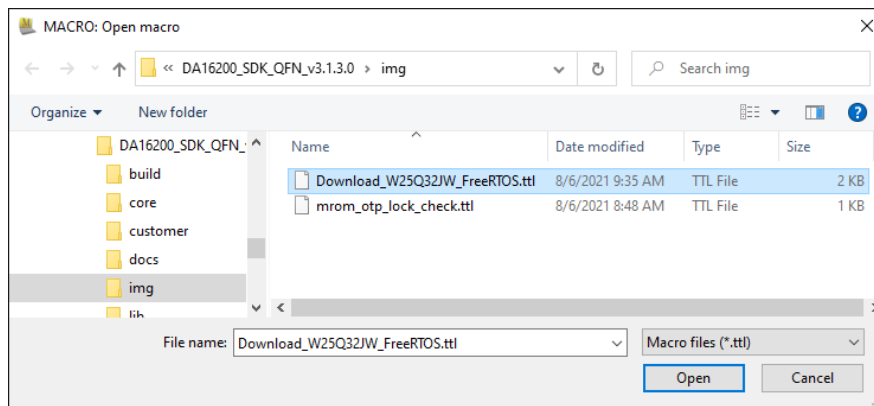


Figure 5: Open Macro File

3. After opening the macro file, the FBOOT firmware image is programmed as shown in [Figure 6](#).

DA16200 DA16600 FreeRTOS Getting Started Guide

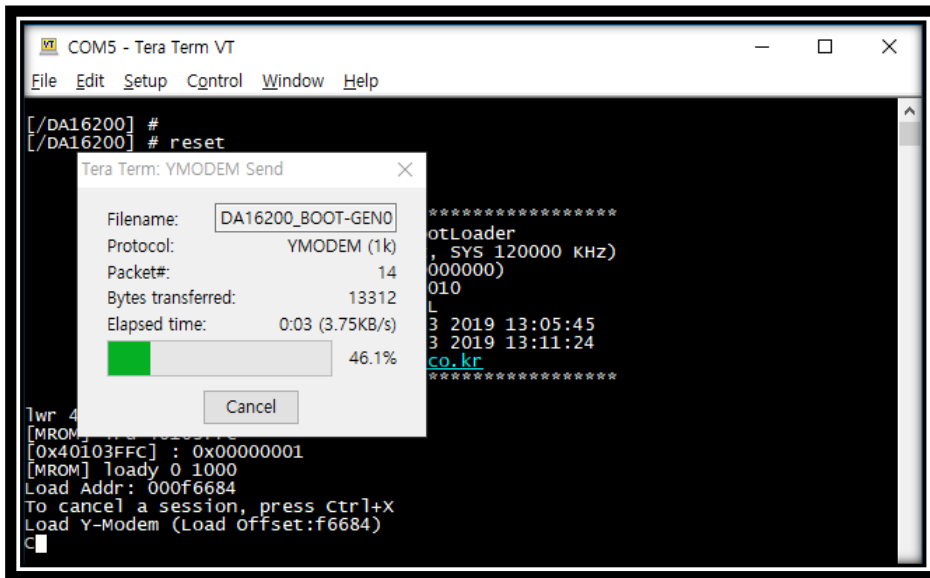


Figure 6: Programming FBOOT Image

4. Program RTOS image as shown in Figure 7.

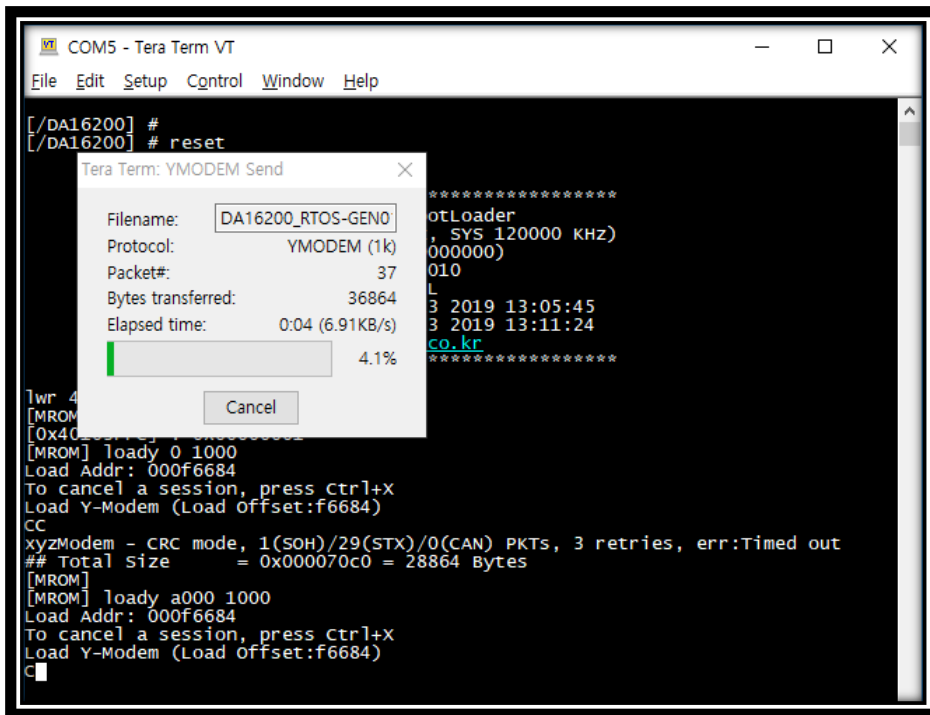


Figure 7: Programming FRTOS Image

5. DA16200 reboots automatically after all images are programmed.

4.5.3 Using Multi-Download Tool

The Multi-Download Tool can be used to program the firmware images to multiple devices at the same time in Windows. See Ref. [7] for details. The `uart_program_da16200(.exe)` can be used for programming the firmware images to multiple devices by running the program on multiple terminals.

4.5.4 Changing Boot Index

There are two slots, in which the main firmware image FRTOS can be stored in the SFLASH memory. These locations are at RTOS #0 and RTOS #1. Through the serial debug interface, users can specify which firmware image that the board boots up with.

The **boot index** can be changed by using the `boot_idx n` command:

```
boot_idx 0 // set RTOS #0 as the firmware to boot
boot_idx 1 // set RTOS #1 as the firmware to boot
```

After running the `boot_idx` command, run the `reboot` command to boot the selected firmware.

```
[/DA16200] # boot_idx 1 // or boot_idx 0
[/DA16200] # reboot

>>> P.TIM is relocated to RETMEM (0x20f835c0, 3)
[dpm_init_retmemory] DPM INIT CONFIGURATION(1)

Wakeup source is 0x0

*****
*          DA16200 SDK Information
*
* - CPU Type       : Cortex-M4 (120 MHz)
* - OS Type        : FreeRTOS 10.4.3
* - Serial Flash   : 4 MB
* - SDK Version    : V3.2.3.0 GEN
* - F/W Version    : FRTOS-GEN01-01-6cc84b86f-003714
* - F/W Build Time : Apr 13 2022 10:20:02
* - Boot Index     : 1
*
*****
```

After the reboot, verify the **Boot Index** and **F/W Version** matches the selected one.

4.6 Provisioning Wi-Fi

4.6.1 Station Mode Setup

The Wi-Fi functions of the DA16200/DA16600 can easily be configured by running the **Easy Setup** Wi-Fi configuration wizard.

To configure the DA16200/DA16600 to operate in Station Mode, open the DA16200 or DA16600 debug console and run the `setup` command in the `[/DA16xxx]` prompt and then answer the questions to complete the setup as follows:

```
[/DA16200] Setup Start the Easy Setup Wizard.

Stop all services for the setting.
Are you sure ? [Yes/No] : Y Enter Y to stop the services.

[ DA16200 EASY SETUP ]

Country Code List:
AD AE AF AI AL AM AR AS AT AU AW AZ BA BB BD BE BF BG BH BL
EM EN BO BR BS BT BY BZ CA CF CH CI CL CN CO CR CU CX CY CZ
DE DK DM DO DZ EC EE EG ES ET EU FI FM FR GA GB GD GE GF GH
GL GP GR GT GU GY HK HN HR HT HU ID IE IL IN IR IS IT JM JO
JP KE KH KN KP KR KW KY KZ LB LC LI LK LS LT LU LV MA MC MD
ME MF MH MK MN MO MP MQ MR MT MU MV MW MX MY NG NI NL NO NP
NZ OM PA PE PF PG PH PK PL PM PR PT PW PY QA RE RO RS RU RW
SA SE SG SI SK SN SR SV SY TC TD TG TH TN TR TT TW TZ UA UG
UK US UY UZ VA VC VE VI VN VU WF WS YE YT ZA ZW ALL

COUNTRY CODE ? [Quit] (Default KR) : US Enter the country code.

SYSMODE(WLAN MODE) ?
1. Station
2. Soft AP
MODE ? [1/2/Quit] (Default Station) : 1 Enter 1 for Station mode.
```


DA16200 DA16600 FreeRTOS Getting Started Guide

```
[ STATION CONFIGURATION ]
=====
[NO] [SSID]                                [SIGNAL] [CH] [SECURITY]
-----
[ 1] AndroidHotspot0568                    -25     6     WPA2
[ 2] U+Net0208                              -37     2     WPA2
[ 3] wonhome                               -49    11     WPA2
[ 4] SK_WiFiGIGA1200                       -53     3     WPA / WPA2
[ 5] [Hidden] BSSID-0a:5d:dd:de:12:03      -54     3     WPA2
[ 6] DIRECT-GWM2020 Series                 -56     3     WPA2
[ 7] AT_303_WBEH2GT_a879                  -66    11     WPA2
[ 8] olleh_WiFi_B602                       -67    10     WPA / WPA2
[ 9] KT_GiGA_2G_Wave2_04A0                 -70     6     WPA / WPA2
[10] KT_GiGA_2G_Wave2_99EB                 -79     6     WPA / WPA2
[11] anyppi                                -81     8     WPA2
-----
[M] Manual Input
[Enter] Rescan
=====

Select SSID ? (1~11/Manual/Quit) : 1          Enter the SSID NO from the list.

PSK-KEY(ASCII characters 8~63 or Hexadecimal characters 64) ? [Quit]
[123456789|123456789|123456789|123456789|123456789|123456789|1234]
:*****                                     Enter the password for the AP.

Do you want to set advanced WiFi configuration ? [No/Yes/Quit] (Default No) : N
                                           Enter N to skip this step.
=====
SSID      : AndroidHotspot0568
AUTH      : WPA/WAP2
ENCRYPTION: TKIP/AES (CCMP)
PSK KEY   : 123abc456
KEY TYPE  : ASCII
Hidden AP : Not connect

WIFI CONFIGURATION CONFIRM ? [Yes/No/Quit] : Y          Enter Y to confirm the configuration.

IP Connection Type ? [Automatic IP/Static IP/Quit] : A    Enter A for automatic DHCP IP address.

IP Connection Type: Automatic IP

IP CONFIGURATION CONFIRM ? [Yes/No/Quit] : Y          Enter Y to confirm the configuration.

SNTP Client enable ? [Yes/No/Quit] : N                Enter N to disable time sync.

Dialog DPM (Dynamic Power Management) ? [Yes/No/Quit] : N  Enter N to disable DPM.
                                           See Section 6.4.7 for more information about DPM.

Configuration OK
. done
```

The configuration is now complete and stored in NVRAM. Then, the system reboots automatically and is connected to the selected network.

```
Reboot...

Wakeup source is 0x0
[dpm_init_retmemory] DPM INIT CONFIGURATION(1)

*****
*                DA16200 SDK Information
* -----
*
* - CPU Type       : Cortex-M4 (120 MHz)
* - OS Type        : FreeRTOS 10.4.3
* - Serial Flash   : 4 MB
* - SDK Version    : V3.2.3.0 GEN
* - F/W Version    : FRTOS-GEN01-01-6cc84b86f-003714
* - F/W Build Time : Apr 13 2022 10:20:02
* - Boot Index     : 0
*
*****
```

DA16200 DA16600 FreeRTOS Getting Started Guide

```

System Mode : Station Only (0)
>>> DA16x Supp Ver2.7 - 2020_07
>>> MAC address (sta0) : d4:3d:39:10:a2:48
>>> sta0 interface add OK
>>> Start STA mode...
>>> Network Interface (wlan0) : UP
>>> Associated with ae:2d:be:27:70:7d

Connection COMPLETE to ae:2d:be:27:70:7d

-- DHCP Client WLAN0: SEL(6)

[/DA16200] # -- DHCP Client WLAN0: REQ(1)
-- DHCP Client WLAN0: CHK(8)
-- DHCP Client WLAN0: BOUND(10)
    Assigned addr   : 192.168.0.65
    netmask         : 255.255.255.0
    gateway         : 192.168.0.98
    DNS addr        : 192.168.0.98

    DHCP Server IP  : 192.168.0.98
    Lease Time      : 00h 59m 59s
    Renewal Time    : 00h 29m 59s

```

4.6.2 Soft AP Mode Setup

Soft AP mode allows the DA16200 to be provisioned through the Wi-Fi interface using a mobile application. Set up for Soft AP Mode is almost the same as for Station Mode and can easily be configured by running the **Easy Setup** Wi-Fi configuration wizard.

To configure the DA16200/DA16600 to operate in Soft AP Mode, open the DA16200/DA16600 debug console and run the `setup` command in the `[DA16200]` or `[DA16600]` prompt and then answer the questions to complete the setup as follows:

```

[/DA16200] Setup Start the Easy Setup Wizard.

Stop all services for the setting.
Are you sure ? [Yes/No] : Y Enter Y to stop the running services.

[ DA16200 EASY SETUP ]

Country Code List:
AD AE AF AI AL AM AR AS AT AU AW AZ BA BB BD BE BF BG BH BL
EM BN BO BR BS BT BY BZ CA CF CH CI CL CN CO CR CU CX CY CZ
DE DK DM DO DZ EC EE EG ES ET EU FI FM FR GA GB GD GE GF GH
GL GP GR GT GU GY HK HN HR HT HU ID IE IL IN IR IS IT JM JO
JP KE KH KN KP KR KW KY KZ LB LC LI LK LS LT LU LV MA MC MD
ME MF MH MK MN MO MP MQ MR MT MU MV MW MX MY NG NI NL NO NP
NZ OM PA PE PF PG PH PK PL PM PR PT PW PY QA RE RO RS RU RW
SA SE SG SI SK SN SR SV SY TC TD TG TH TN TR TT TW TZ UA UG
UK US UY UZ VA VC VE VI VN VU WF WS YE YT ZA ZW ALL

COUNTRY CODE ? [Quit] (Default KR) : US Enter the country code.

SYSMODE(WLAN MODE) ?
1. Station
2. Soft AP
MODE ? [1/2/Quit] (Default Station) : 2 Enter 2 for Station mode.

[ SOFT AP CONFIGURATION ]

SSID ? (Default DA16200_10A249) : TEST AP Enter the SSID name.

CHANNEL ? [1~13, Auto:0/Quit] (Default Auto) : Enter to select Auto channel selection.

AUTHENTICATION ?
1. OPEN
2. WEP (Unsupported)
3. WPA-PSK
4. WPA2-PSK (Recommend)
5. WPA/WPA2-PSK
AUTHENTICATION ? [1/3/4/5/Quit] : 4 Enter 4 to select WPA2-PSK authentication.

```

DA16200 DA16600 FreeRTOS Getting Started Guide

```

ENCRYPTION ?
  1. TKIP (CAUTION: Unsupported 802.11N Mode)
  2. AES (CCMP)
  3. TKIP/AES (CCMP)
ENCRYPTION ? [1/2/3/Quit] : 2          Enter 2 to select AES encryption.

PSK-KEY(ASCII characters 8~63 or Hexadecimal characters 64) ? [Quit]
[123456789|123456789|123456789|123456789|123456789|123456789|1234]
:*****                               Enter the password for the AP.

Do you want to set advanced WiFi configuration ? [No/Yes/Quit] (Default No) : N
                                          Enter N to skip this step.

=====
SSID      : TEST AP
CHANNEL   : AUTO (ACS)
AUTH      : WPA2
ENCRYPTION: AES (CCMP)
PSK KEY   : 123abc456
KEY TYPE  : ASCII
WIFI MODE : 11b/g/n

=====
WIFI CONFIGURATION CONFIRM ? [Yes/No/Quit] : Y   Enter Y to confirm the WIFI
                                                  configuration.

IP ADDRESS ? [Quit] (Default 10.0.0.1) :         Enter to select the default IP Address.

SUBNET ? [Quit] (Default 255.255.255.0) :        Enter to select the default Subnet.

GATEWAY ? [Quit] (Default 10.0.0.1) :           Enter to select the default Gateway.

=====
[WLAN1]
IP ADDRESS: 10.0.0.1
SUBNET     : 255.255.255.0
GATEWAY    : 10.0.0.1

=====
IP CONFIGURATION CONFIRM ? [Yes/No/Quit] : Y   Enter Y to confirm the IP configuration.

DHCP SERVER CONFIGURATION ? [Yes/No/Quit] : Y   Enter Y to confirm the DHCP Server
                                                  configuration.

DHCP SERVER LEASE IP Count(MAX 10) ? [Quit] (Default 10) :
                                                  Enter to select the default Lease Count.

DHCP SERVER LEASE TIME(60 ~ 86400 SEC) ? [Quit] (Default 1800) :
                                                  Enter to select the default Lease Time.

=====
[DHCP SERVER]
Start IP   : 10.0.0.2
END IP     : 10.0.0.11
LEASE TIME : 1800

=====
DHCP SERVER CONFIGURATION CONFIRM ? [Yes/No/Quit] : Y   Enter Y to confirm the configuration.
Configuration OK
. done

```

Once all settings are made, the configuration is saved, and the system reboots. A message is printed that Soft AP mode started successfully:

```

Reboot...

Wakeup source is 0x0
[dxm_init_retmemory] DPM INIT CONFIGURATION(1)

*****
*                               DA16200 SDK Information                               *
* -----*
*
* - CPU Type      : Cortex-M4 (120 MHz)
* - OS Type       : FreeRTOS 10.4.3
* - Serial Flash  : 4 MB
* - SDK Version   : V3.1.3.0 GEN
* - F/W Version   : FRTOS-GEN01-01-15129-000000
* - F/W Build Time : Aug 26 2021 22:58:01
* - Boot Index    : 0

```

DA16200 DA16600 FreeRTOS Getting Started Guide

```

*
*****

System Mode : Soft AP (1)

>>> DHCP Server Started
>>> DA16x Supp Ver2.7 - 2020_07
>>> Add Soft AP Interface (softap1) ...
>>> MAC address (softap1) : d4:3d:39:10:a2:49
>>> softap1 interface add OK
>>> AP Operating Channel: AUTO
>>> Soft AP ACS : ideal ch is 4

>>> Network Interface (wlan1) : UP
BSS Isolate Disabled

Soft AP is Ready (d4:3d:39:10:a2:49)
[/DA16200] #
    
```

After Soft AP mode is configured, a mobile application can be used to remotely provision the Wi-Fi interface to operate in Station Mode. See Ref. [8] for details on how to use the mobile application.

4.6.3 Wi-Fi Provisioning Setup Using Bluetooth® LE

Bluetooth® LE is available on DA16600 only. The DA16600 module can be used in products such as "Wi-Fi door-lock" where Wi-Fi is the main connection used during normal operation. Bluetooth® LE is a support connection used to perform Wi-Fi Provisioning during the initial "Out-of-the-Box" setup of the product.

A Bluetooth® LE peer application such as an Android/IOS mobile application provides an interface to provision the Wi-Fi interface of the DA16600 device by providing configuration information such as a Wi-Fi Home router's SSID, password, and server information.

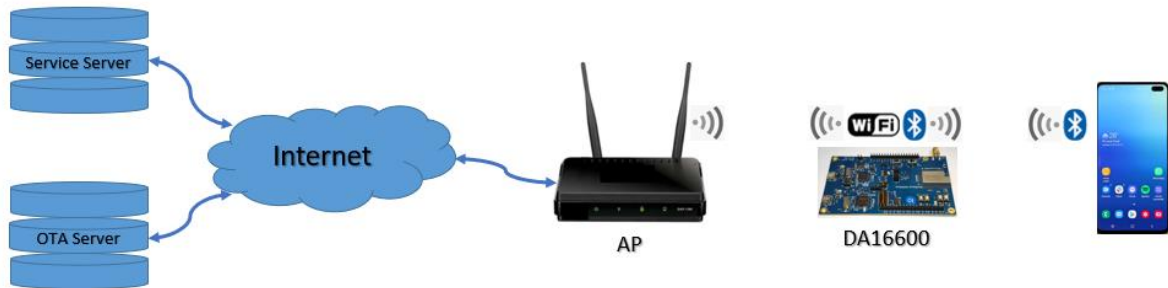


Figure 8: Diagram of Provisioning via Bluetooth® LE

See Ref. [6] for details on how to use the mobile application to provision the Wi-Fi connection on the DA16600.

4.7 Configuring UART/SPI as AT Command Interface

This section describes how to configure the DA16200 or DA16600 EVB for testing AT commands. DA16200 supports AT commands via UART or SPI. For more information on AT commands, see Ref.[5].

Various prebuilt AT command firmware images can be downloaded from the Renesas Electronics website. Go to the Renesas website (<https://www.renesas.com/us/en/products/wireless-connectivity/wi-fi/low-power-wi-fi>) and scroll down to the Software Downloads section. Find "DA16200 DA16600 FreeRTOS SDK Image" or type it in the search box, and then select the firmware and download. Choose DA16200_IMG_FreeRTOS_ATCMD_QFN or DA16600_IMG_FreeRTOS_ATCMD_QFN for your device.

Table 9 shows the default GPIO pin settings of the UART and SPI interfaces of the DA16200 SDK and DA16600 SDK. These GPIOs need to be connected to the MCU.

DA16200 DA16600 FreeRTOS Getting Started Guide

Table 9: Default GPIO Pin Settings of UART and SPI

Interface	DA16200 SDK	DA16600 SDK
UART	GPIOA4 (UART1_TXD) GPIOA5 (UART1_RXD)	GPIOC6 (UART2_TXD) GPIOC7 (UART2_RXD)
SPI	GPIOA2 (SPI_CSB) GPIOA3 (SPI_CLK) GPIOA8 (SPI_MISO) GPIOA9 (SPI_MOSI) GPIOC6 (INT)	
MCU Wake-up on AT-CMD	GPIOA11 (MCU Wake-up)	

4.7.1 Configuration for Testing AT Command with EVB Only

Both the DA16200 and DA16600 EVBs include an FT2232H which is used to test AT command over the UART interface. Figure 9 and Table 10 show how to configure the DA16200 EVB for AT command processing over the UART. This configuration connects UART1 of the DA16200 (GPIOA4/5) to the FT2232H.

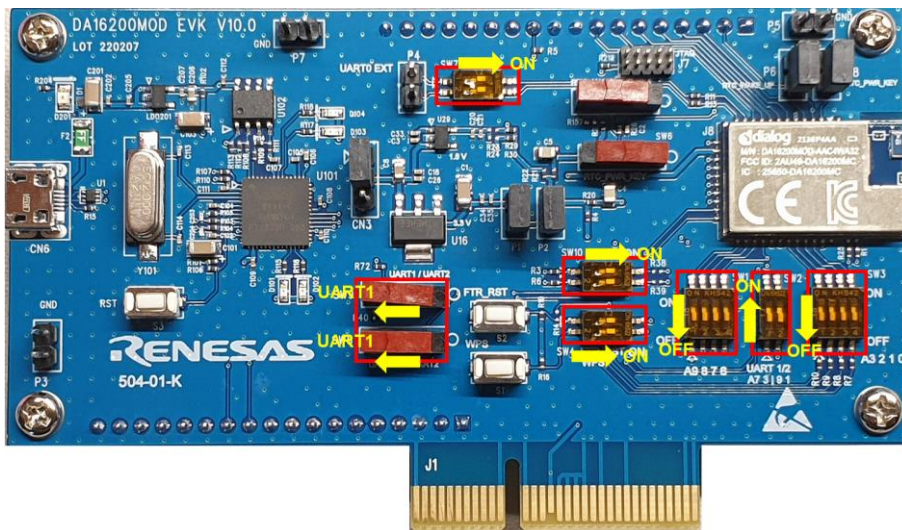


Figure 9: Configure DA16200 EVB for AT Command - UART to FT2232H

Table 10: Configure DA16200 EVB Switch for AT Command - UART to FT2232H

SW1	SW2	SW3	SW4	SW7	SW8	SW9	SW10
All OFF	All ON	All OFF	All ON	All ON	LEFT	LEFT	All ON

Figure 10 and Table 11 show how to configure the DA16600 EVB for AT command processing over the UART. This configuration connects UART2 of the DA16200 (GPIOC6/7) to the FT2232H.

DA16200 DA16600 FreeRTOS Getting Started Guide

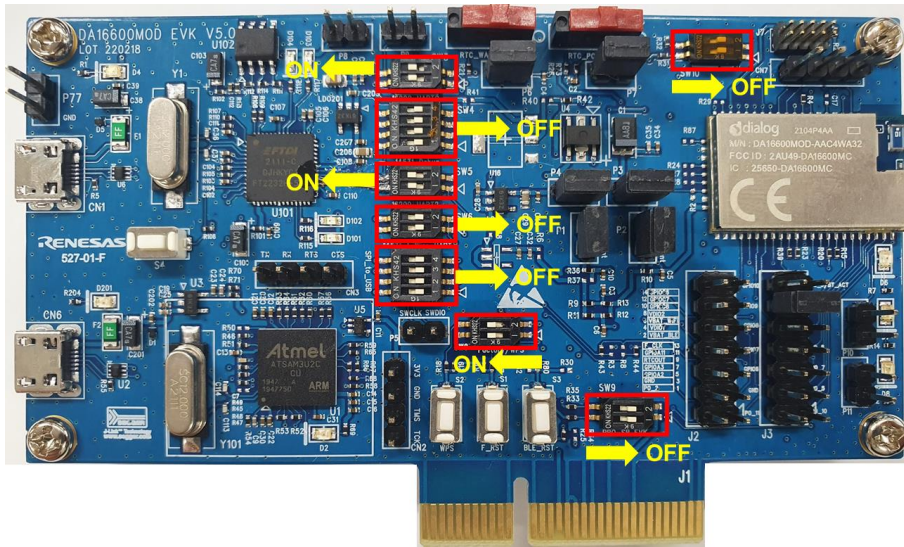


Figure 10: Configure DA16600 EVB for AT Command - UART to FT232ZH

Table 11: DA16600 EVB Switch Configuration for AT Command - UART to FT232ZH

SW3	SW4	SW5	SW6	SW7	SW8	SW9	SW10
All ON	All OFF	All ON	All OFF	All OFF	All ON	All OFF	All OFF

See Ref. [5] for further steps.

4.7.2 Configuration for Testing AT Command with External MCU

Both the DA16200 and DA16600 EVBs have external pins which allows users to test AT command over the UART or SPI interface using an external MCU.

Figure 11, Table 12 and Table 13 show how to configure the DA16200 EVB for AT command processing over the UART or SPI interface using an external MCU. This configuration connects UART1 or SPI of the DA16200 (GPIOA4/5 for UART or GPIOA2/3/8/9 for SPI) to the external pinout connectors.

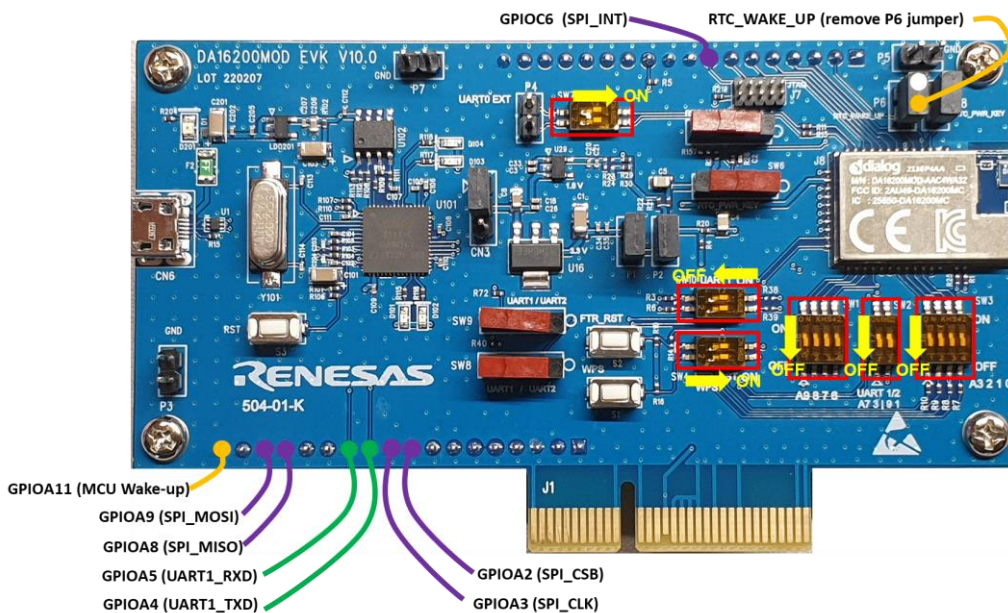


Figure 11: Configure DA16200 EVB for AT Command - UART/SPI to External MCU

DA16200 DA16600 FreeRTOS Getting Started Guide

Table 12: Configure DA16200 EVB Switch for AT Command - UART/SPI with External MCU

SW1	SW2	SW3	SW4	SW7	SW8	SW9	SW10
All OFF	All OFF	All OFF	All ON	All ON	Don't care	Don't care	All OFF

Table 13: Configure DA16200 EVB Connector for AT Command - UART/SPI with External MCU

Interface	Connector	Pin	Relevant GPIO	Usage
AT Command over UART	P6	1	RTC_WAKE_UP	DA16200 Wake-up from MCU
	J5	11	GPIOA4	UART1_TXD
		12	GPIOA5	UART1_RXD
		18	GPIOA11	MCU Wake-up from DA16200
AT Command over SPI	P6	1	RTC_WAKE_UP	DA16200 Wake-up from MCU
	J2	8	GPIOC6	SPI_INT
	J5	9	GPIOA2	SPI_CSB
		10	GPIOA3	SPI_CLK
		15	GPIOA8	SPI_MISO
		16	GPIOA9	SPI_MOSI
	18	GPIOA11	MCU Wake-up from DA16200	

Figure 12, Table 14 and Table 15 show how to configure the DA16600 EVB for AT commands over the UART or SPI interface using an external MCU. This configuration connects UART2 or SPI of the DA16600 (GPIOC6/7 for UART or GPIOA2/3/8/9 for SPI) to the external pinout connectors.

When using an AT command over UART, Pin 11 of J3 and Pin 12 of J3 should be connected by a jumper pin for BLE-Wi-Fi COEX. Also, when using an AT command over SPI, Pin 13 of J3 and Pin 14 of J3 should be connected.

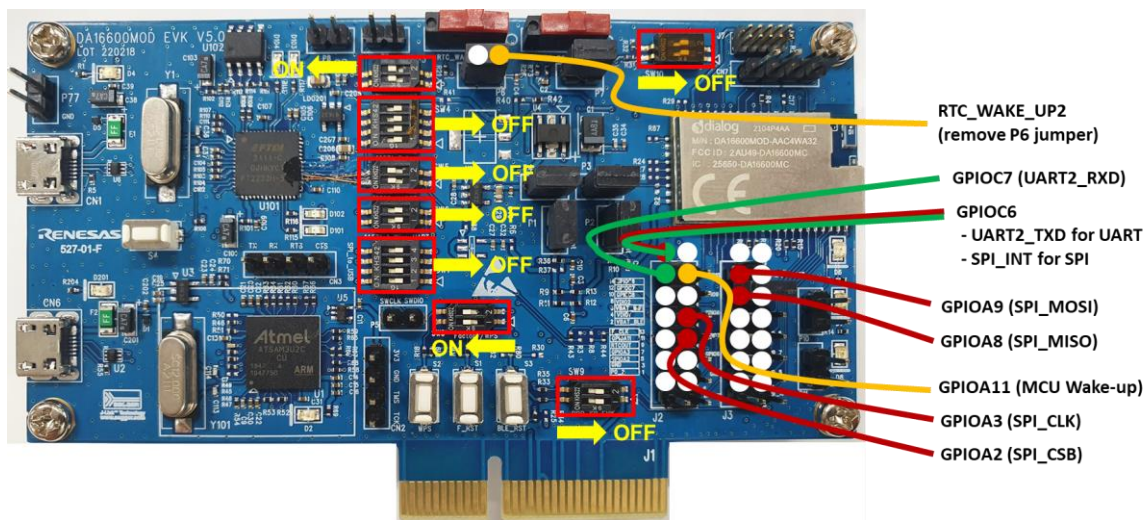


Figure 12: Configure DA16600 EVB for AT Command - UART/SPI with External MCU

Table 14: Configure DA16600 EVB Switch for AT Command - UART/SPI with External MCU

SW3	SW4	SW5	SW6	SW7	SW8	SW9	SW10
All ON	All OFF	All OFF	All OFF	All OFF	All ON	All OFF	All OFF

DA16200 DA16600 FreeRTOS Getting Started Guide

Table 15: Configure DA16600 EVB Connector for AT Command - UART/SPI with External MCU

Interface	Connector	Pin	Relevant GPIO	Usage
AT Command over UART	P6	1	RTC_WAKE_UP2	DA16200 Wake-up from MCU
	J2	11	GPIOA11	MCU Wake-up from DA16200
		12	GPIOC7	UART2_RXD
		14	GPIOC6	UART2_TXD
		Pin 11 (P0_6) and Pin 12 (GPIOA9) should be connected.		
AT Command over SPI	P6	1	RTC_WAKE_UP2	DA16200 Wake-up from MCU
	J2	5	GPIOA2	SPI_CSB
		7	GPIOA3	SPI_CLK
		11	GPIOA11	MCU Wake-up from DA16200
		14	GPIOC6	SPI_INT
		Pin 13 (P0_6) and Pin 14 (GPIOA10) should be connected.		
	J3	10	GPIOA8	SPI_MISO
		12	GPIOA9	SPI_MOSI

5 Software Development Kit

5.1 Introduction

The DA16200 is a highly integrated ultra-low power Wi-Fi system on chip (SoC) that allows users to develop Wi-Fi solutions using a single chip. Wi-Fi applications can be developed for the DA16200 using the DA16200 FreeRTOS Software Development Kit (SDK) and the Renesas e²studio IDE on either a Windows 10 or Linux based development system.

To start developing applications for the DA16200, complete the following steps:

- Install and configure the e²studio IDE
- Import the DA16200 SDK into the e²studio IDE and build an application
- Download and test the application
- Use J-Link debugger to debug the application

5.2 System Requirements

- OS (Windows 10 64 bit or Ubuntu 20.04 LTS)
- GNU Arm GCC 10.3
- Renesas e²studio 2023-07 (23.7.0) or later
- J-Link Debug Probe

NOTE

For Linux OS

- Install mandatory library for executing e² studio
 - libpython3.10
 - Open a terminal window and enter the commands below:
 - sudo add-apt-repository ppa:deadsnakes/ppa
 - sudo apt-get update
 - sudo apt-get install libpython3.10

5.3 Installing e²studio IDE

To install the e²studio, download and run the e²studio installer for either Windows or Linux from the Renesas website (<https://www.renesas.com/us/en/software-tool/e-studio>).

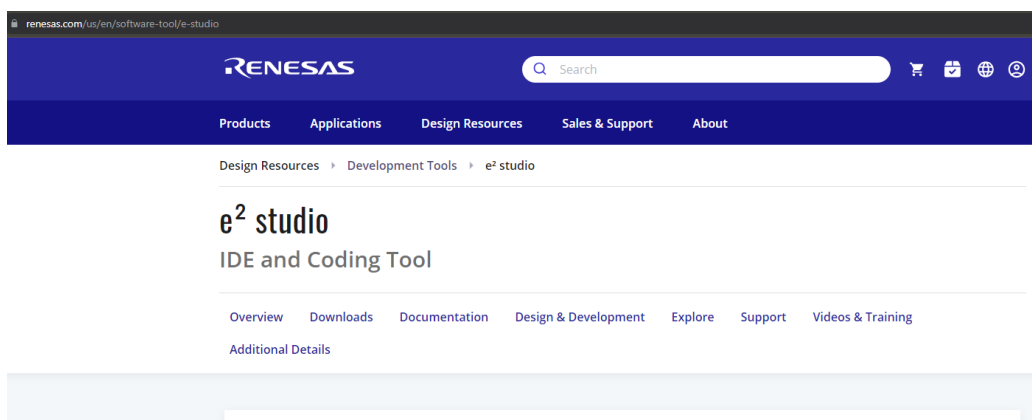


Figure 13: Download e²studio Installer

NOTE

Currently only Windows and Linux have been verified to work with the DA16200/DA16600 SDKs.

DA16200 DA16600 FreeRTOS Getting Started Guide

After running the installer, select the **Standard Install** and then select **Next**.

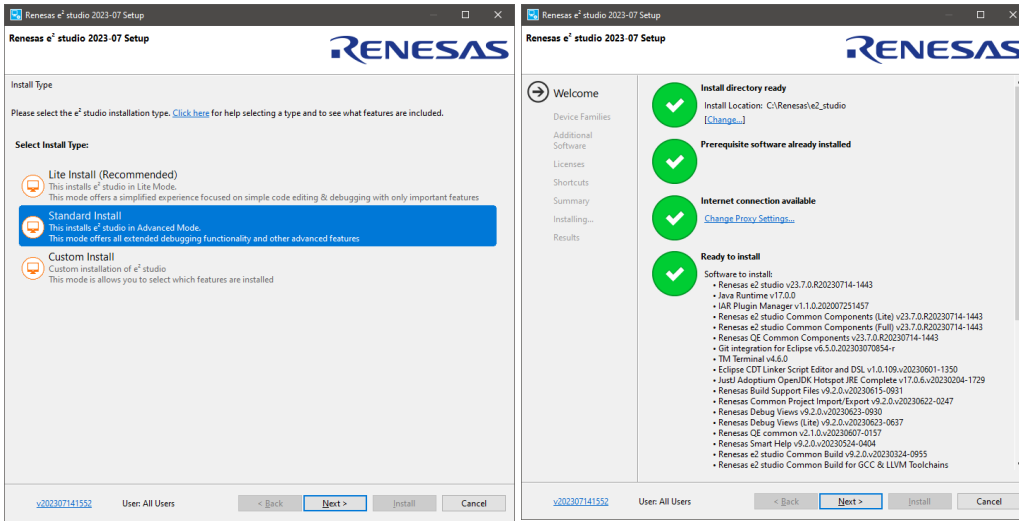


Figure 14: Run e²studio Installer

NOTE

The e²studio Installer automatically installs the required JRE and embedded development extensions required by the DA16200/DA16600 FreeRTOS SDK.

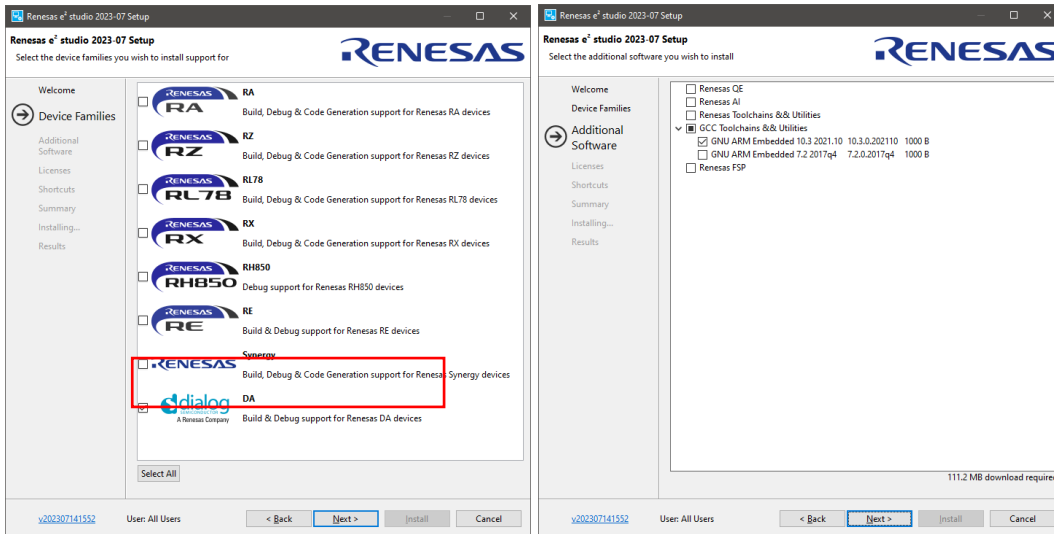


Figure 15: e²studio Setup

Select the DA family in Device Families. The GCC toolchain is selected by default as GNU ARM Embedded 10.3 2021.10.

DA16200 DA16600 FreeRTOS Getting Started Guide

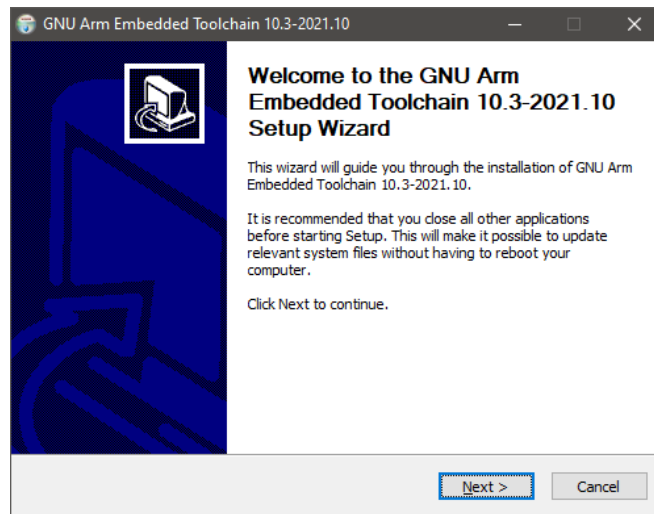


Figure 16: Install GNU Arm Embedded Toolchain

The GNU Arm Embedded Toolchain 10.3 must be installed. The Toolchain installation starts automatically during the e²studio installation process. After installing the e²studio and the GNU Arm Embedded Toolchain, run e²studio and open the workspace.

5.4 Importing DA16200 FreeRTOS SDK Project into e²studio

Download the DA16200 FreeRTOS SDK from the official website. Go to the Renesas website (<https://www.renesas.com/us/en/products/wireless-connectivity/wi-fi/low-power-wi-fi>) and scroll down to the Software Downloads section. Find “DA16200 DA16600 FreeRTOS SDK” or type it in the search box, and then select the firmware and download.

To import the da16200/da16600 project into the e²studio workspace, complete the following steps.

1. Under the **File** menu select **Import...** to open the Import dialog box and then select **General > Dialog SDK Project** and click **Next**.

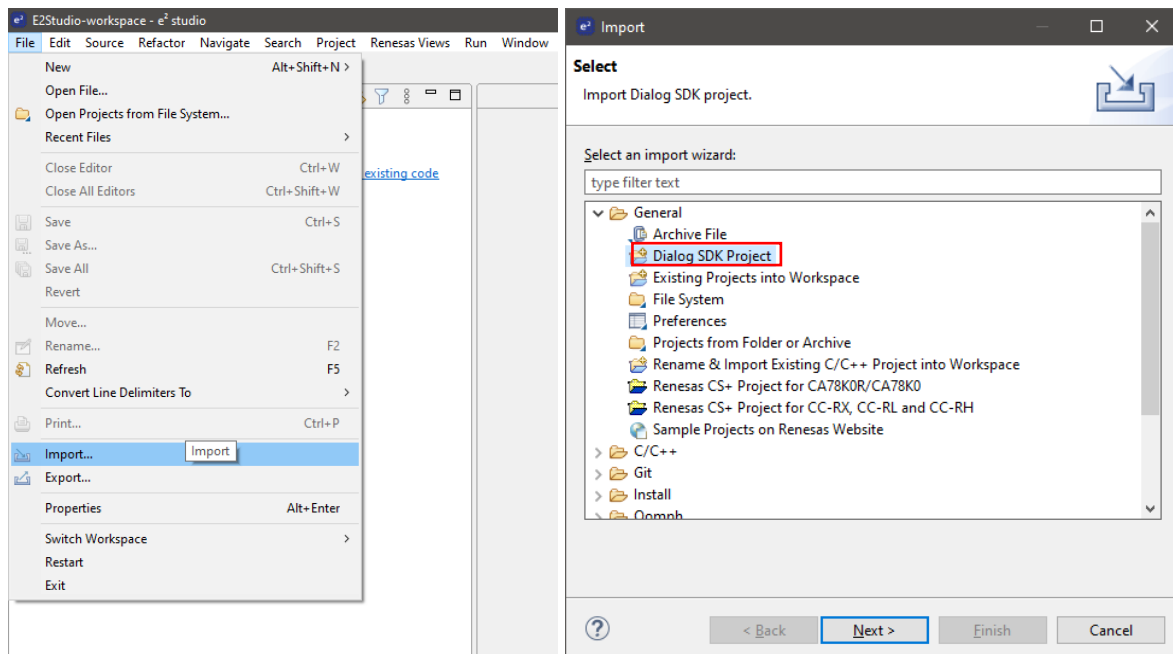


Figure 17: Import SDK Project to e²studio IDE

DA16200 DA16600 FreeRTOS Getting Started Guide

NOTE

Windows 10 has a path length limitation of 260 characters. The <sdk_root_directory> path length must be less than 70 characters.

2. In the **Import** dialog box, select the **Select SDK root directory** and click the **Browse** button. Use the file manager to navigate to the <sdk_root_directory>/ directory and then click **Select Folder**.

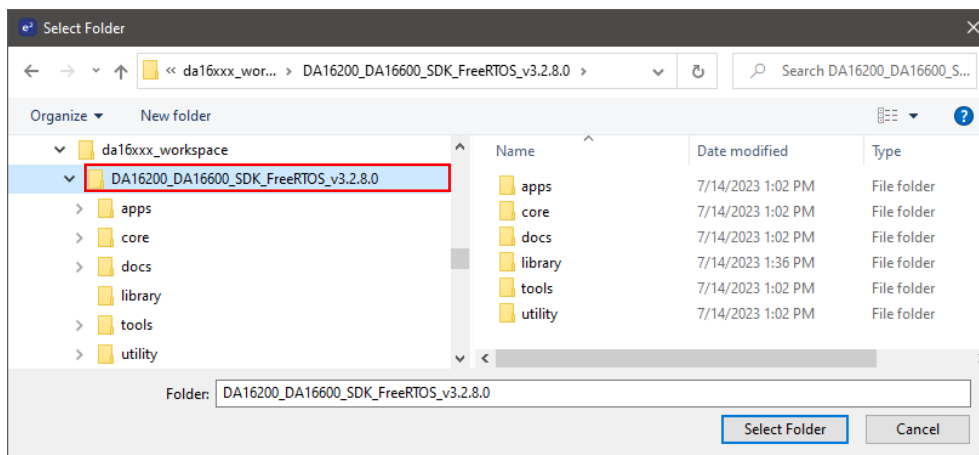
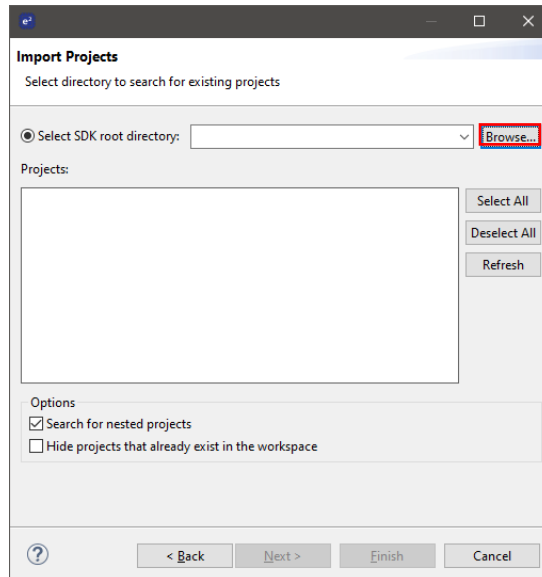


Figure 18: Select Folder to Import SDK Project into e²studio IDE

DA16200 DA16600 FreeRTOS Getting Started Guide

3. Various projects appears in the **Projects** list. Select the **da16200** or **da16600** project. The second project to select is the **SDKJFlash** project which provides an absolute path for certain scripts to use and click **Next**.

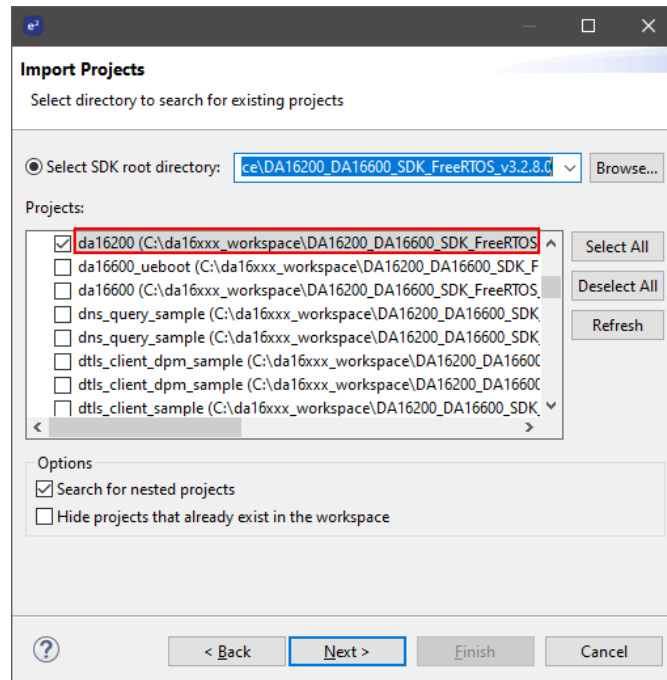


Figure 19: Import DA16200/DA16600 Project to e²studio IDE

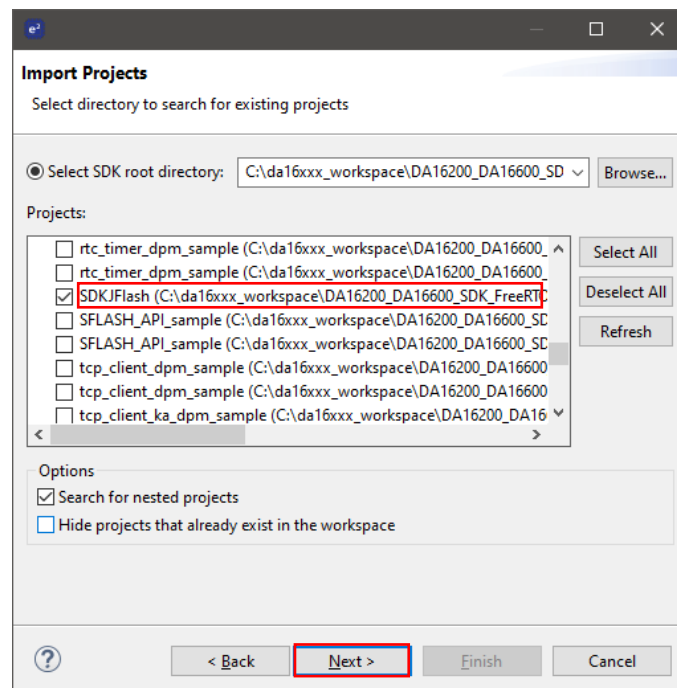
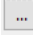


Figure 20: Import SDKJFlash Project to e²studio IDE

4. Dialog SDK Project window appears as shown below. Select Target device da16200 or da16600 by choosing the  button and then click **Finish**.

DA16200 DA16600 FreeRTOS Getting Started Guide

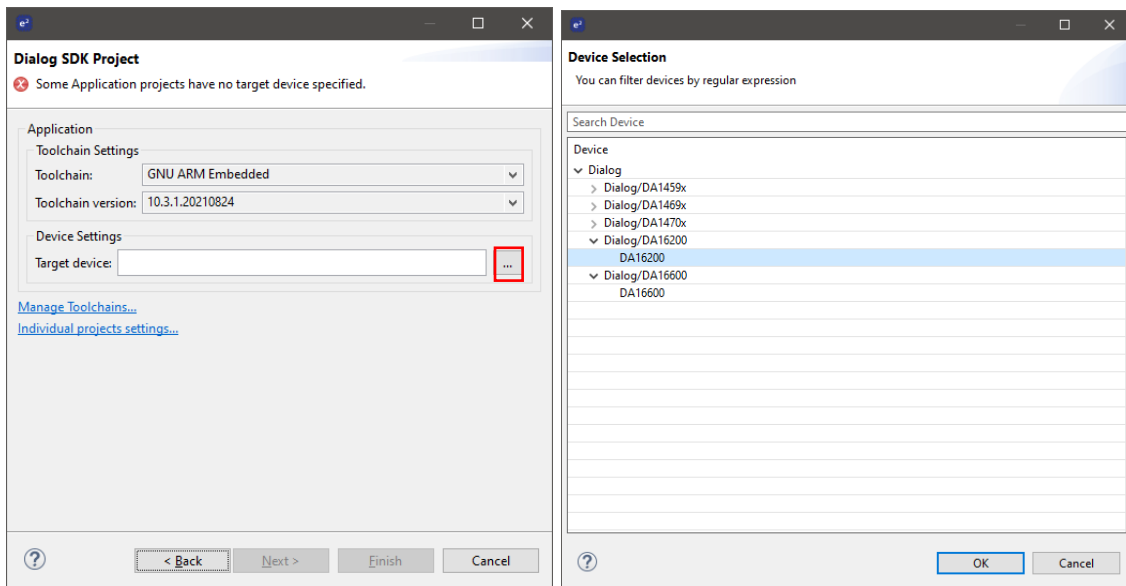


Figure 21: Dialog SDK Project

The basic setup for importing the SDK project is now complete. The next step is to build the project.

- Here are some examples before importing projects.
 - Create a workspace directory for the SDK. For example:


```
..../projects/da16xxx_workspace
```
 - Extract the SDK zip file into a directory under that workspace directory. For example:


```
..../projects/da16xxx_workspace/DA16200_DA16600_SDK_V3.2.x.x
```

 This directory is known as the `<sdk_root_directory>`.
 - Run e²studio and open the newly created workspace.

NOTE

For Linux systems, certain files used during the build process need to be set as executable. After extracting the SDK files into a directory, the `<sdk_root_directory>/tools/util` file permissions must be changed by running the `set_linux_perm.sh` script in the `<sdk_root_directory>/tools/util/` directory:

```
~$
~$ cd <sdk_root_directory>/tools/util
~$ chmod 755 set_linux_perm.sh
~$ sh ./set_linux_perm.sh
~$
```

- The SDK directory structure contains various projects, and projects are stored in the `<sdk_root_directory>/apps/` directory. These include the following:
 - Default SDK build for the DA16200 and DA16600
 - `<sdk_root_directory>/apps/da16200/get_started/`
 - `<sdk_root_directory>/apps/da16600/get_started/`
 - Example projects
 - `<sdk_root_directory>/apps/common/examples/Crypto/`
 - `<sdk_root_directory>/apps/common/examples/DPM/`
 - `<sdk_root_directory>/apps/common/examples/ETC/`
 - `<sdk_root_directory>/apps/common/examples/Network/`

DA16200 DA16600 FreeRTOS Getting Started Guide

– <sdk_root_directory>/apps/common/examples/Peripheral/

- The example project directories have a similar structure, containing a project folder for either the DA16200 or DA16600:

– <sdk_root_directory>/apps/common/examples/Crypto/Crypto_AES/projects/da16200
 – <sdk_root_directory>/apps/common/examples/Crypto/Crypto_AES/projects/da16600

5.5 Building Projects

1. Once the target projects are imported, it appears in the e²studio Project Explorer. Build the da16200/da16600project by right-clicking on the imported project and select **Build Project**.

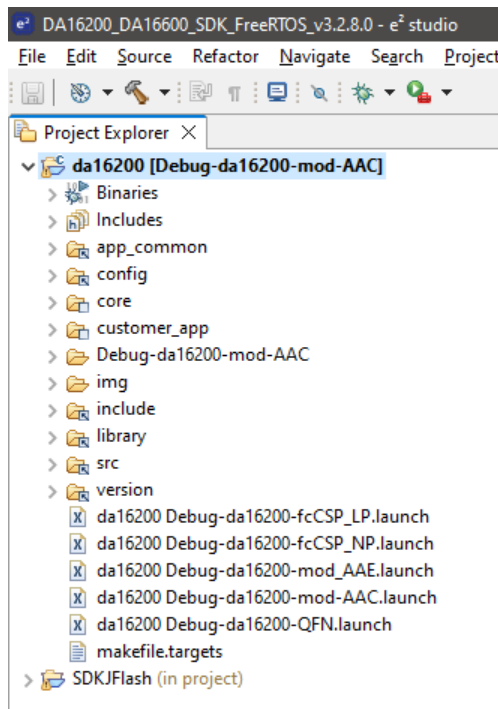


Figure 22: e²studio Project Explorer

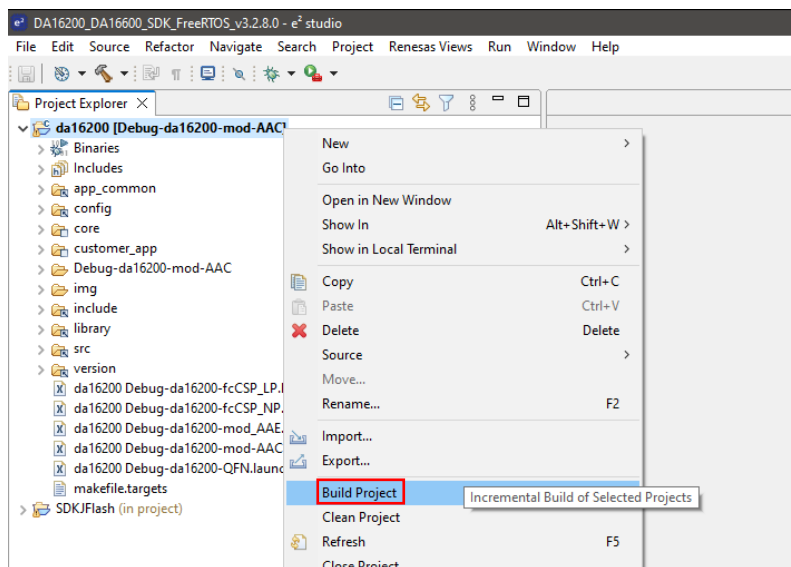


Figure 23: Build Project

DA16200 DA16600 FreeRTOS Getting Started Guide

NOTE

The SDK building project process may take several minutes depending on your computer.

- If this build process is performed for the first time, the Generate Configuration pop-up window is displayed automatically so that flash memory type can be selected. Select a flash type and click **Generate** to create the appropriate flash configuration file required to build the firmware.

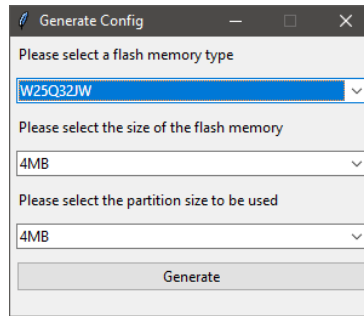


Figure 24: Generate Configuration

- If the pop-up window is closed without selecting and generating a configuration file, a warning pop-up is displayed.

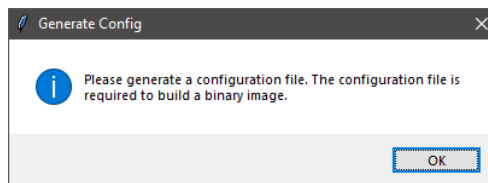


Figure 25: Generate Configuration Warning Pop-Up

- This step cannot be skipped due to a flash configuration file is required to build the firmware. When the build is complete, the following output is displayed in the e²studio console window.

```
*-----
*Image Generate success
*-----

[CM.3.secuboot.bat] END
[.\util\mk_sboot_image.bat] END
*-----
*Post-Build Clean Start for Windows
*-----
Start mk_sboot_image_clean.bat
*-----
*Post-Build End for Windows
*-----

arm-none-eabi-size --format=berkeley "da16200.elf"
  text  data   bss    dec    hex  filename
1145404 10224  141152 1296780 13c98c da16200.elf

15:56:21 Build Finished. 0 errors, 0 warnings. (took 4m:10s.749 ms)
```

There are two firmware images created by the build process and they are stored in the `<sdk_root_directory>/<project_path>/img/` directory. For Example:

```
DA16200_FBOOT-GEN01-01-c7f4c6cc22_w25Q32JW.img
DA16200_FRTOS-GEN01-01-07b24d20f4-006526.img
```

The images can be found in the directory shown in [Figure 26](#).

DA16200 DA16600 FreeRTOS Getting Started Guide

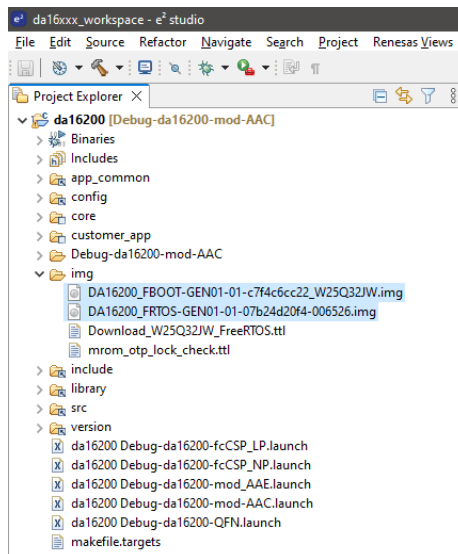


Figure 26: Location of Firmware Image Files

FBOOT is the bootloader image which is used to initialize the DA16200 and launch the main firmware.

- The bootloader image should be loaded first into the flash of a new device
- The bootloader image contains SFDP (flash specific) information
Note that the bootloader must be loaded into flash before loading any other images
- When updating the SDK, always load the bootloader image first

FRTOS is the main firmware image which includes the RTOS and user applications.

5.5.1 Build Configurations

There are several types of build configuration for DA16200/DA16600 SDK project. Release and Debug configurations are almost the same except that disabling the console (UART0) input and output in the Release build configurations.

- DA16200 Build Configurations
 - Debug
 - Debug-da16200-mod-AAC: DA16200 AAC module type (default)
 - Debug-da16200-mod-AAE: DA16200 AAE module type Debug Build
 - Debug-da16200-QFN: DA16200 QFN chipset type Debug Build
 - Debug-da16200-fcCSP_LP: DA16200 fcCSP Low Power chipset type Debug Build
 - Debug-da16200-fcCSP_NP: DA16200 fcCSP Normal Power chipset Type Debug Build
 - Release
 - Release-da16200-mod-AAC: DA16200 AAC module type Release Build
 - Release -da16200-mod-AAE: DA16200 AAE module type Release Build
 - Release -da16200-QFN: DA16200 QFN chipset type Release Build
 - Release -da16200-fcCSP_LP: DA16200 fcCSP Low Power chipset type Release Build
 - Release -da16200-fcCSP_NP: DA16200 fcCSP Normal Power chipset Type Release Build

DA16200 DA16600 FreeRTOS Getting Started Guide

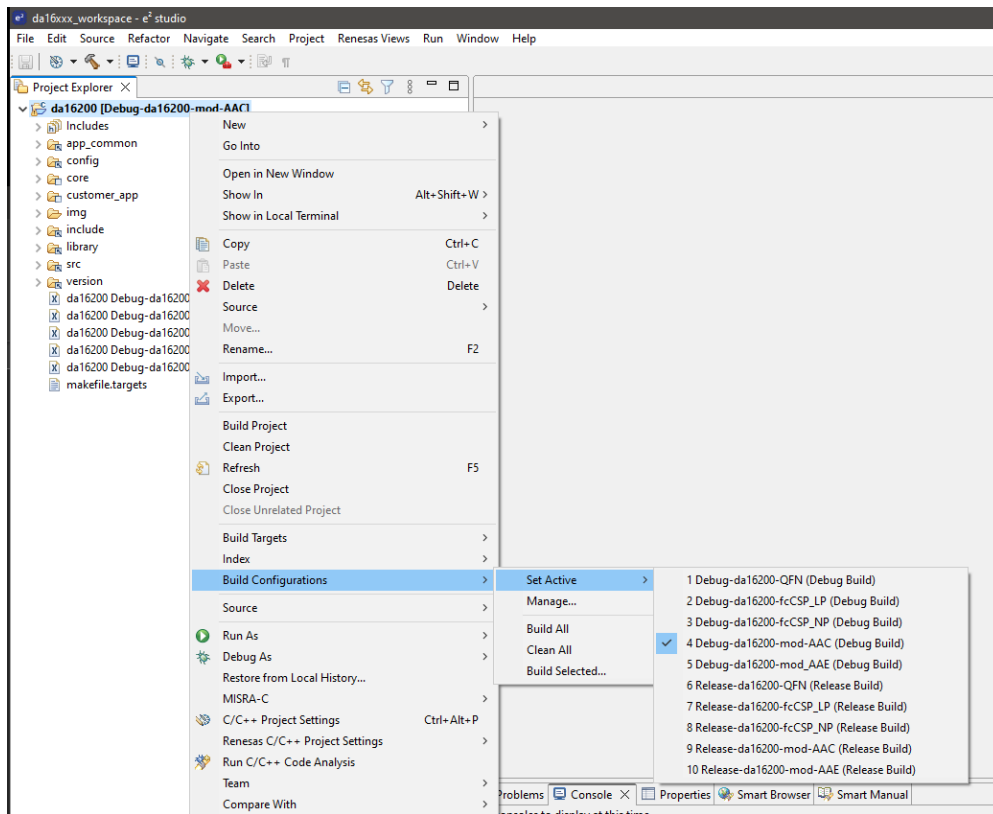


Figure 27: DA16200 Build Configurations

- DA16600 Build Configurations
 - Debug
 - Debug-da16600-mod: DA16600 module type Debug Build (default)
 - Release
 - Release-da16600-mod: DA16600 module type Release Build

DA16200 DA16600 FreeRTOS Getting Started Guide

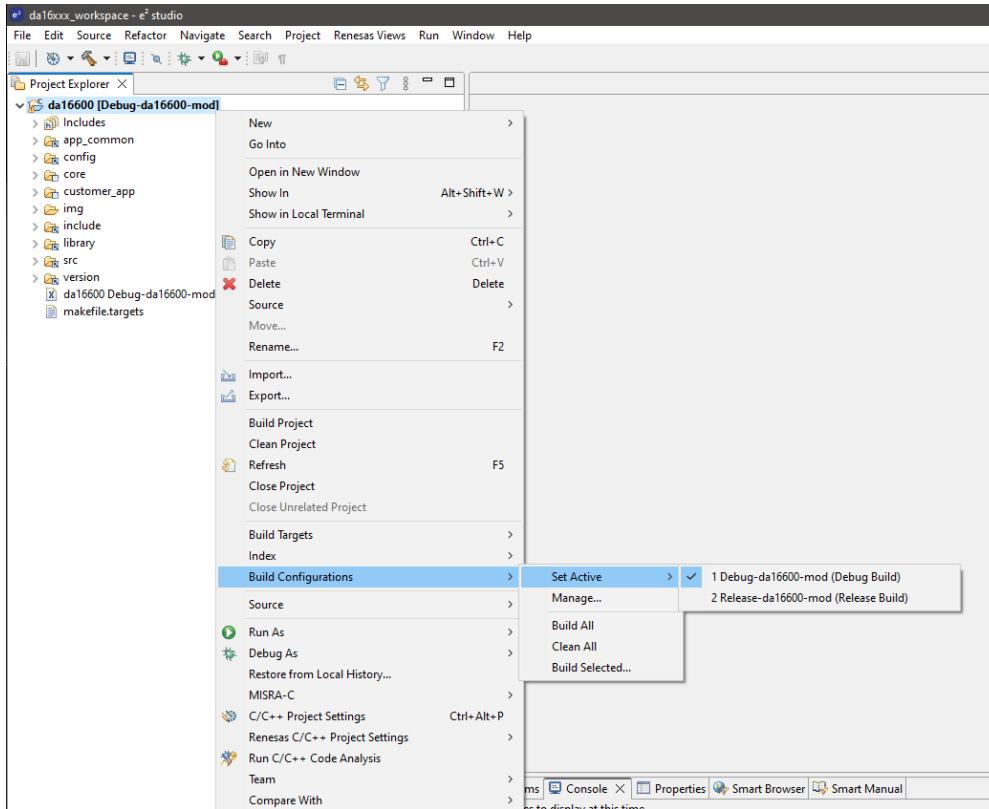


Figure 28: DA16600 Build Configurations

5.5.2 Change Flash Configuration

The flash configuration can be changed by running the **Generate Configuration tool** which is provided by the SDK.

To use the Generate Configuration tool, import Launch Configurations.

1. File > Import > Run/Debug/Launch Configurations.

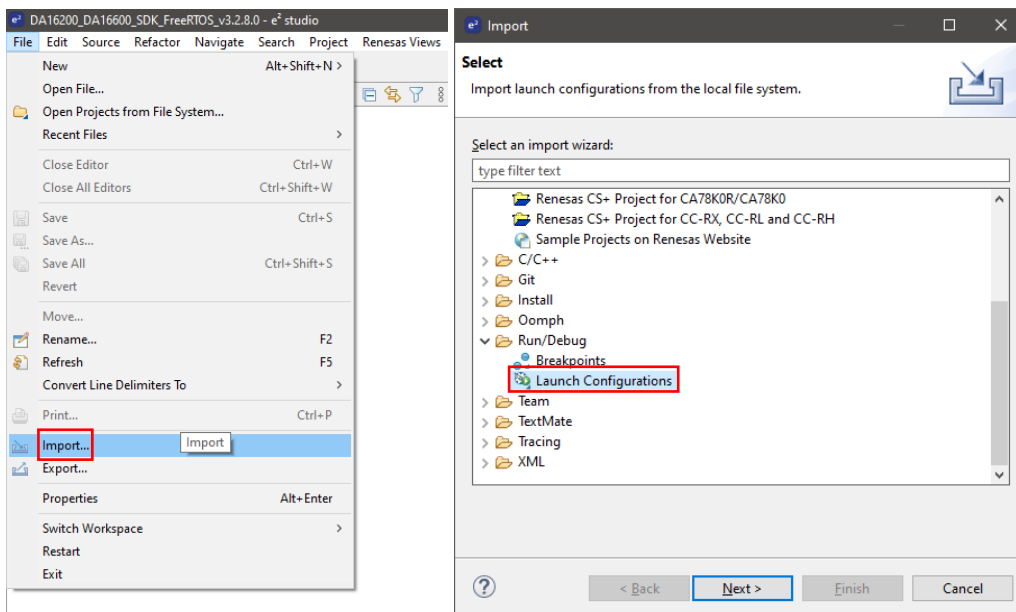


Figure 29: Import Launch Configuration

2. Select `<sdk_root_directory>/utility/cfg_generator` directory using the Browse button.

DA16200 DA16600 FreeRTOS Getting Started Guide

3. Select Generate Configuration launch file, and click **Finish**.

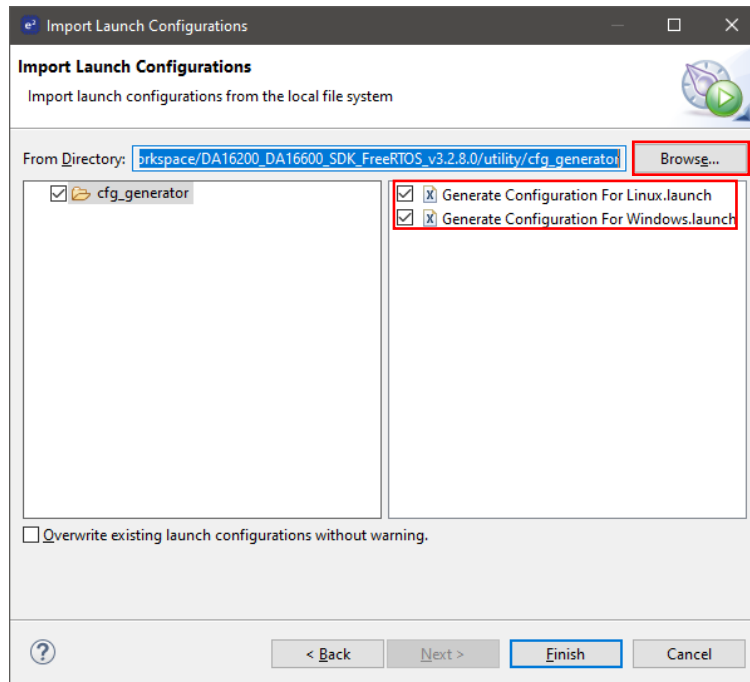


Figure 30: Import Generate Configuration

4. **Generate Configuration** can be run by going to the **Run > External Tools** menu and selecting either **Generate Configuration For Windows** or **Generate Configuration For Linux**.

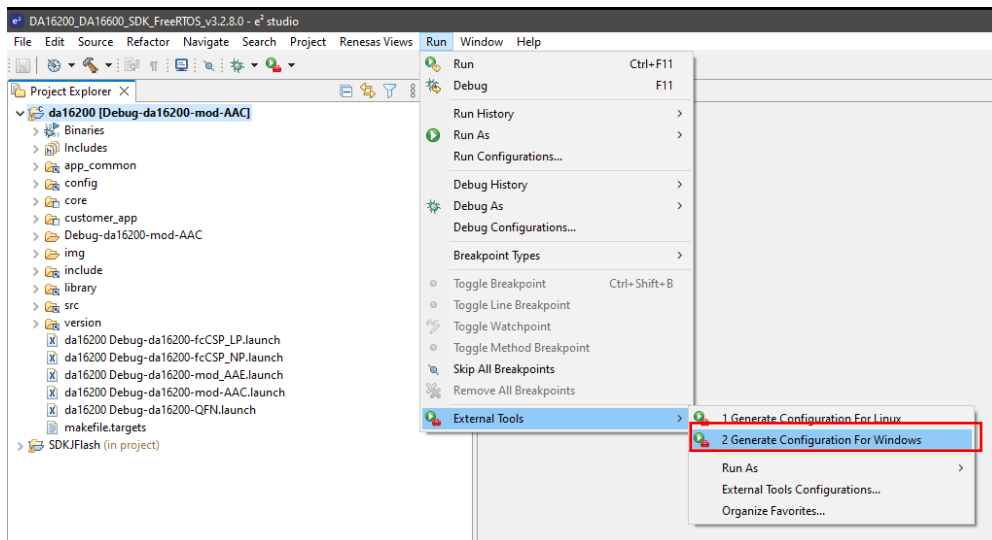


Figure 31: Run Generate Configuration

The Generate Configuration pop-up window is displayed as shown in [Figure 24](#). Select the flash type, then click on generate to create the appropriate flash configuration file required to build the firmware.

DA16200 DA16600 FreeRTOS Getting Started Guide

5.5.3 How to Move Project Location

Project location can be moved to another folder. To move the project location, change the variables of SDKROOT and SDKRootDir in the e²studio.

SDKROOT/SDKRootDir paths are the SDK Root path from the project location. (SDKROOT and SDKRootDir must be the same path.)

- e²studio → Project → Properties → Resource → Linked Resources → SDKROOT
- e²studio → Project → Properties → C/C++ Build → Build Variable → SDKRootDir

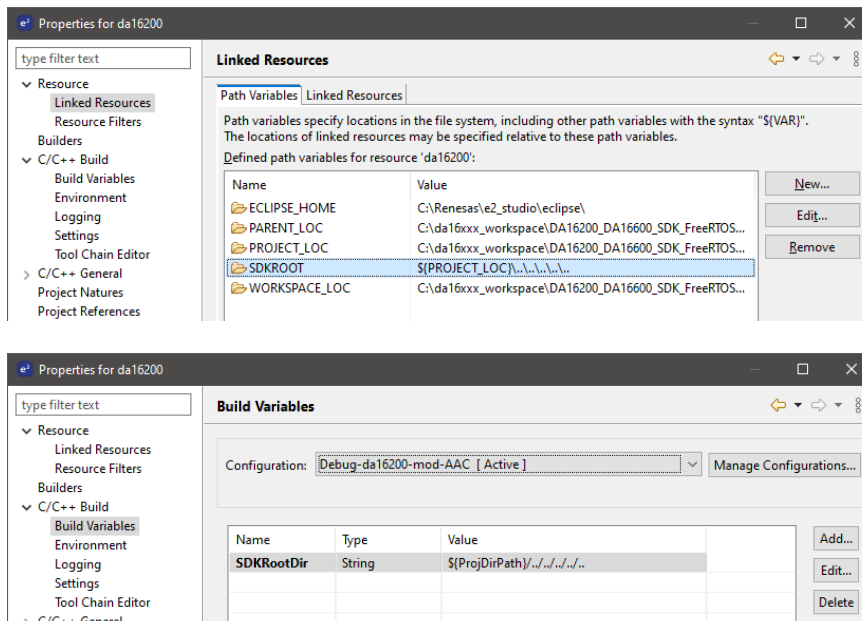


Figure 32: SDK Root Path Variables

5.6 Debugging with J-Link Debug Probe

5.6.1 Install J-Link

To debug the DA16200/DA16600, need a J-Link debug probe and the J-Link software.

A list of the available debug probes can be found on the Segger website:

<https://www.segger.com/products/debug-probes/j-link/models/model-overview/>

The J-link software can be downloaded from the Segger website:

<https://www.segger.com/downloads/jlink/>

Download and install a version for your specific OS.

DA16200 DA16600 FreeRTOS Getting Started Guide

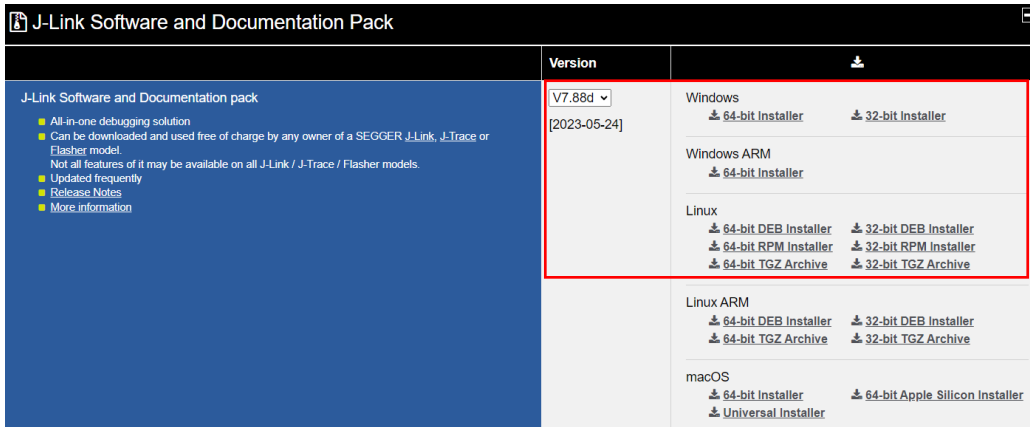


Figure 33: Download J-Link Software

To install Windows version, run the installer downloaded from Segger website. Install the Linux version using the following command:

```
$ sudo dpkg -i JLink_Linux_V788d_x86_64.deb
```

5.6.2 Connect J-Link

This section describes how to connect the J-Link debug probe to the DA16200. Connect the 20-pin connector of the “J-Link 9-pin Cortex-M Adapter” to the J-Link debug probe and connect the 9-pin connector to the “JTAG connector” on the DA16200/DA16600 EVB board.



J-Link 9-pin Cortex-M Adapter

The J-Link 9-pin Cortex-M Adapter allows JTAG, SWD and SWO connections between J-Link and Cortex-M based target hardware systems. It adapts from the 20-pin 0.1" JTAG connector to a 9-pin 0.05" Samtec FTSH connector as defined by ARM.

The J-Link 9-pin Cortex-M Adapter may also be used to connect J-Link to a non Cortex-M target as far as the target connector uses the same pinout as shown below.

By default, TRST is not connected, but the Cortex-M Adapter comes with a solder bridge (NR1) which allows TRST to be connected to pin 9 of the Cortex-M adapter.

VTref	1 ●● 2	SWDIO/TMS
GND	3 ●● 4	SWCLK/TCK
GND	5 ●● 6	SWO/TDO
---	7 ● 8	TDI
NC	9 ●● 10	nRESET

Figure 34: J-Link 9-pin Cortex-M Adapter

The DA16600 EVB (not DA16200 EVB) has a built-in JTAG interface which can be used for either DA16200 or DA14531. It is available for DA14531 when the SW4 - Pin 3 and Pin 4 are on. To use it for DA16200, complete the followings. See Figure 35.

- Configuration for DA14531:
 - Switch on the SW4 - Pin 3 and Pin 4

- Configuration for DA16200:
 - Switch off the SW4 Pin 3 and Pin 4 to disconnect to DA14531
 - Connect P5 - Pin 1 (SWDIO) and Pin 2 (SWCLK) to CN7 Pin 2 (JTAG_TMS) and Pin 1 (JTAG_TCLK)
 - Connect the USB cable on CN6 to personal computer

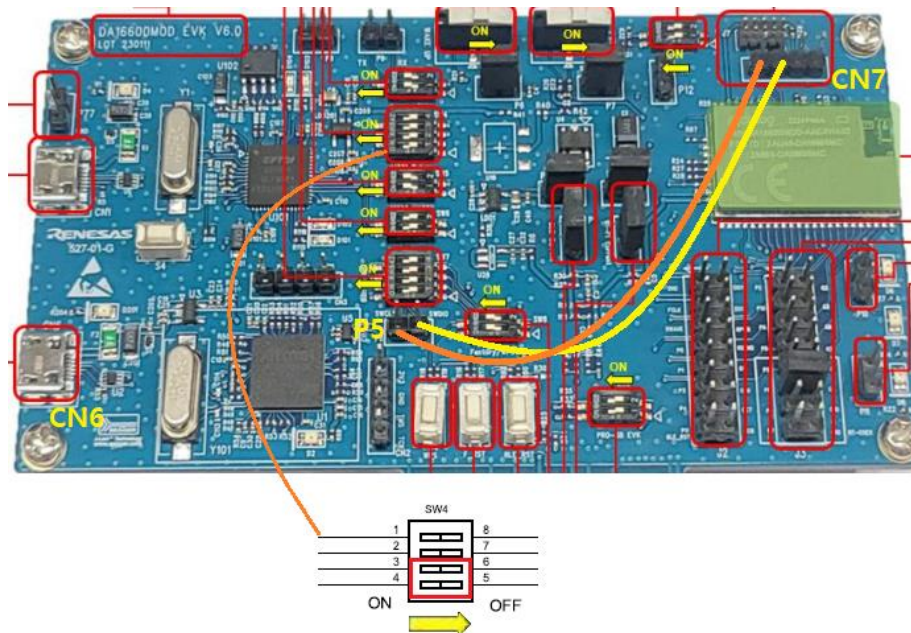


Figure 35: Configure Built-in JTAG for DA16200

5.6.3 Run Debug Mode

1. To debug an application, right-click on the project in the project explorer and select **Debug As > Debug Configurations**.

DA16200 DA16600 FreeRTOS Getting Started Guide

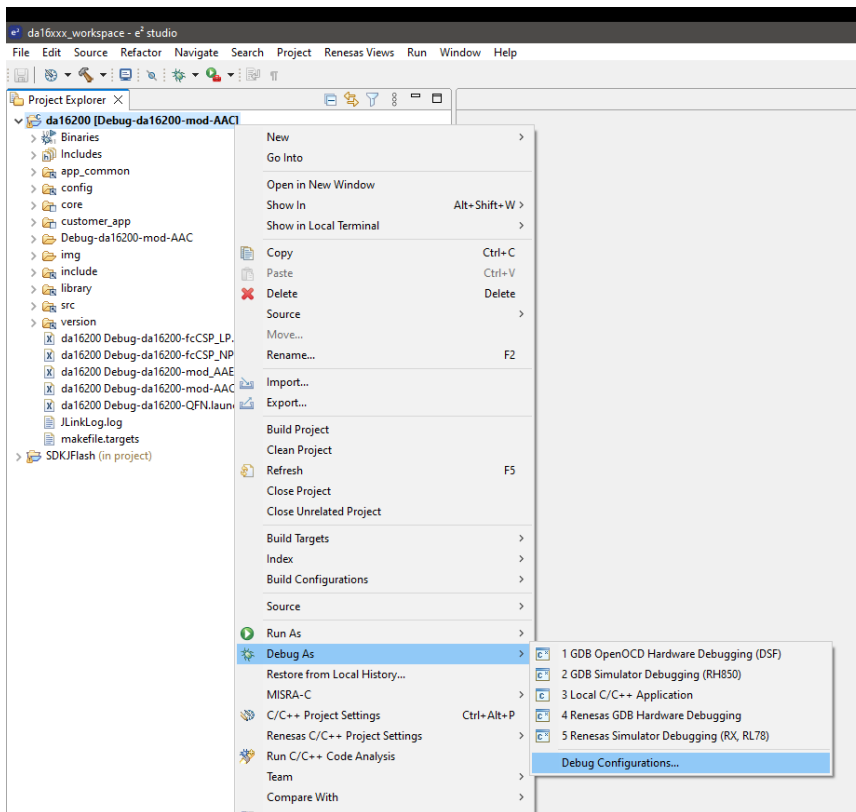


Figure 36: Run Debug Mode

2. Open the **Renesas GDB Hardware Debugging** entry from the list and select one of debugging configurations and click **Debug**.

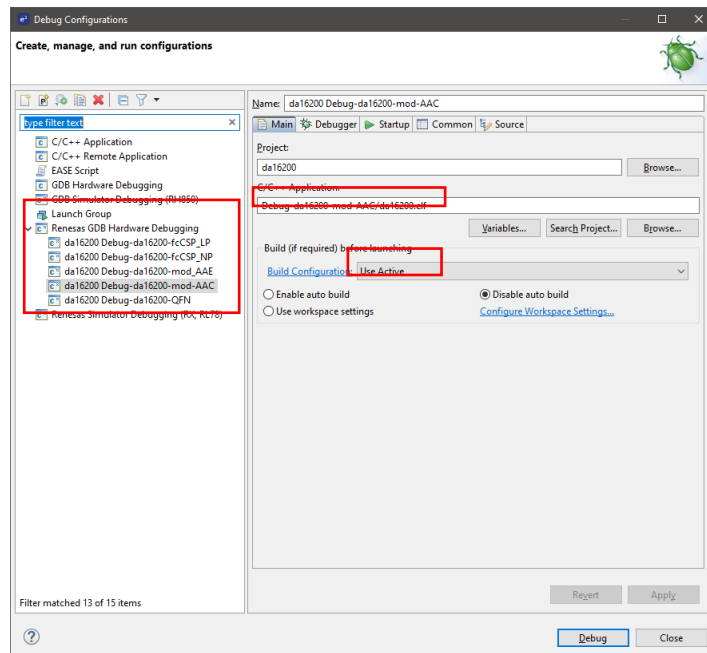


Figure 37: Select Debug Configuration

NOTE

The current FreeRTOS SDK does not support automatic downloading of the firmware image into flash through the e²studio debug interface. Therefore, the firmware must be loaded into SFLASH before starting to debug the application.

5.7 Programming Firmware Images in e²studio

5.7.1 Importing Launches for Programming Firmware Images

Firmware images can be programmed using launches in e²studio. The launches can be imported as follows.

1. Click **File > Import** and Select **Run/Debug > Launch Configurations**.

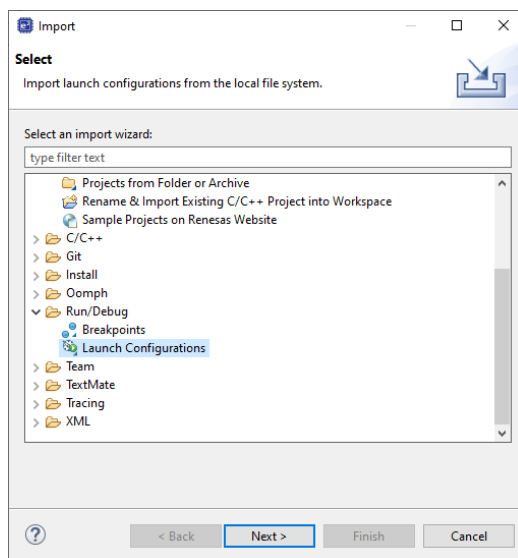


Figure 38: Import Launches

2. Click **Next**, browse `<sdk_root_directory>\utility\j-link\scripts\qspi` and select **win**, **Linux**, or **Python** in `<sdk_root_directory>\utilitil\j-link\scripts\qspi` based on the desired environment.

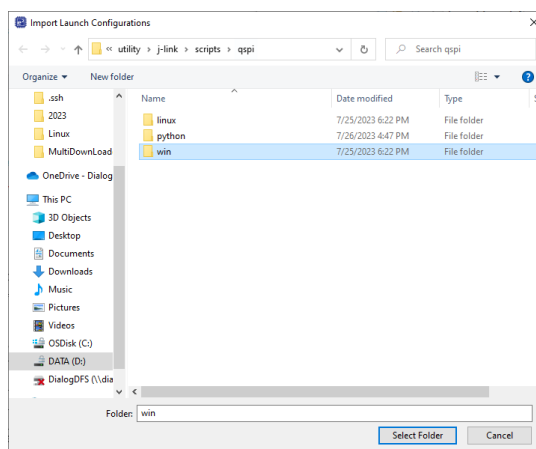


Figure 39: Browse Folder

3. Click **Select Folder** and Select launch configurations.

DA16200 DA16600 FreeRTOS Getting Started Guide

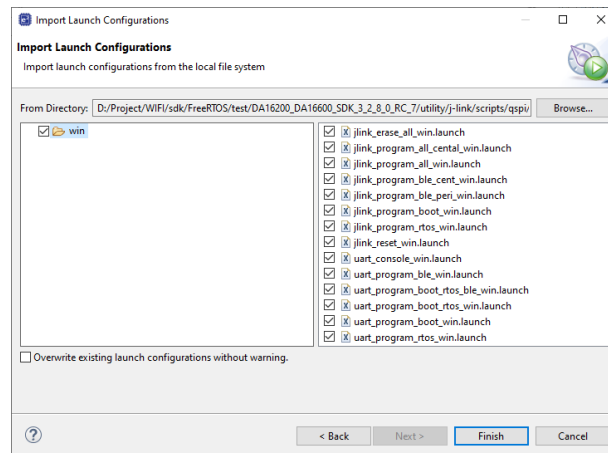


Figure 40: Select Launch Configurations

- Click **Finish** and Confirm launch configurations in **Run > External Tools** menu.

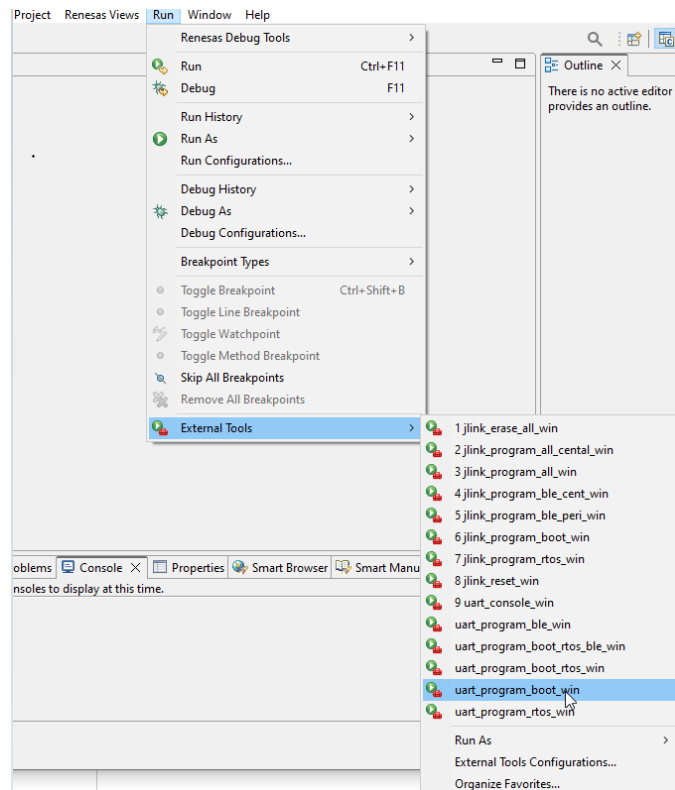


Figure 41: Launch Configurations for Programming Firmware Images

NOTE

- **SDKJFlash** project must be imported before programming (see 5.4 and Figure 20).
- **Python 3.8** must be installed to use jlink_XXX_py scripts.
- **For Linux OS**
 - Check python version in the terminal using the command as follows
 - python --version
 - If **Command 'python' not found** error occurs, make sure to create a symbolic link for python command

DA16200 DA16600 FreeRTOS Getting Started Guide

NOTE

```
sat@sat-OptiPlex-7050:~$ python --version
Command 'python' not found, did you mean:
  command 'python3' from deb python3
  command 'python' from deb python-is-python3
```

- Create a symbolic link for python command as follows
 - `sudo ln -s /usr/bin/python3 /usr/bin/python`
- If access to serial interface is denied, permission should be changed as follows.
 - `sudo usermod -a -G dialout <username>`

5.7.2 Programming Firmware Images over Serial Interface

The firmware image can be programmed over serial interface. The requirements are as follows.

- e²studio 2023-07 (23.7.0) or later
- Python 3.8 and pyserial package (optional)

The following launches are included in the SDK.

- `uart_program_boot_win(linux/py)`: Program FBOOT image
- `uart_program_rtos_win(linux/py)`: Program FRTOS image
- `uart_program_boot_rtos_win(linux/py)`: Program FBOOT and FRTOS image
- `uart_program_ble_win(linux/py)`: Program Bluetooth firmware image (only DA16600)
- `uart_program_boot_rtos_ble_win(linux/py)`: Program FBOOT, FRTOS, and DA14531 firmware image (only DA16600)

To program the firmware image, complete the following steps.

1. Select **Project** and choose **Launch** in **Run > External Tools** menu.
2. Select a proper **number** based on the device from the list of serial interfaces in the console terminal.

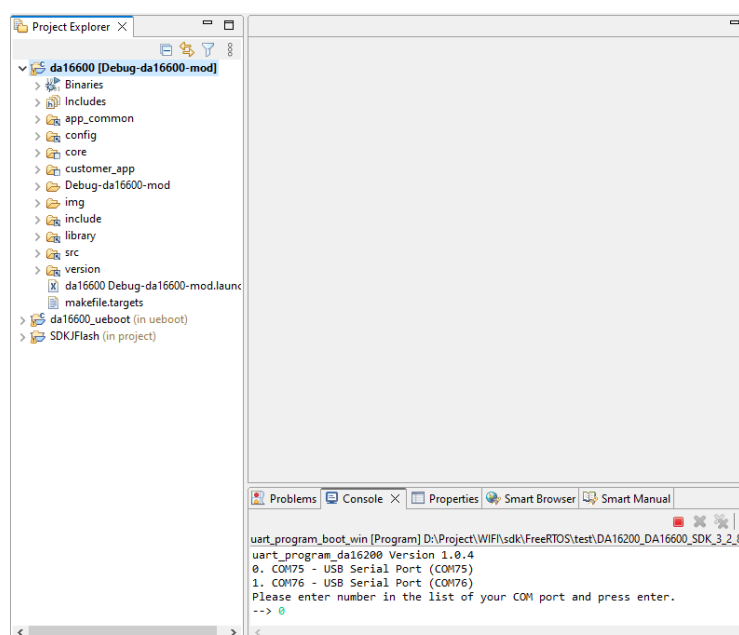


Figure 42: Select Number from Serial Interface List

DA16200 DA16600 FreeRTOS Getting Started Guide

- The programming is done automatically and confirm it is done successfully.

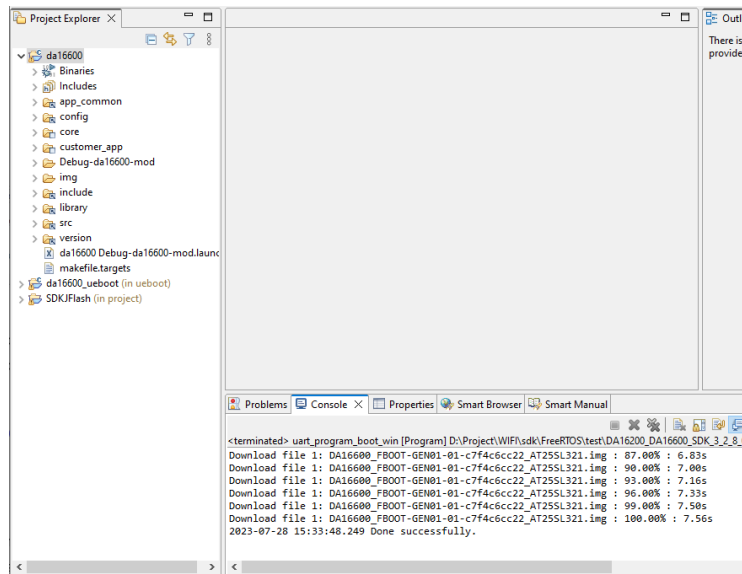


Figure 43: Programming Firmware Image over Serial Interface

There is a case that the console interface is disabled when the firmware image is built in release build configuration or when the DA16200/DA16600 is in DPM low power mode. To program the firmware image for this case, complete the following steps. See Appendix D.1.2 when DA16200/DA16600 does not boot properly and serial command interface is unresponsive.

- Program the firmware image using SEGGER J-Link as shown in Section 5.7.3.
- Programming firmware image over serial interface. See Figure 44.
 - Turn off a device.
 - Run `uart_console_win(linux, py)` launch in **Run > External Tools** menu.
 - Select port number and enter `emode` for running emergency mode.
 - Follow the instructions in the Console and confirm the device enter MROM state.
 - Exit the `uart_console_win(linux, py)` by entering `Exit` or clicking **Terminate**.
 - Run `uart_program_xxx` launch for programming firmware image as usual.

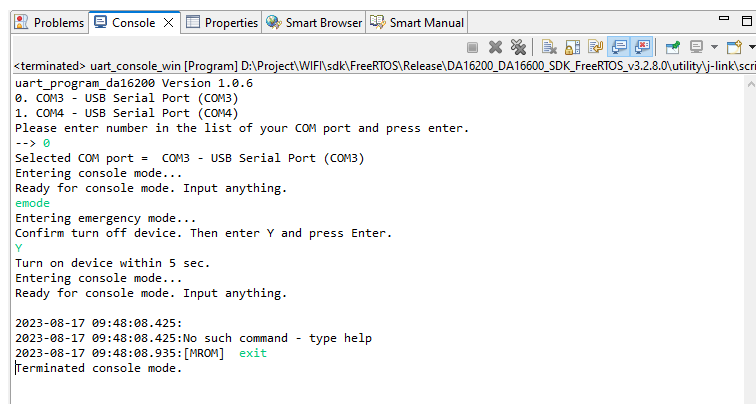


Figure 44: Emergency Mode for Programming Firmware Image

NOTE

If `uart_program_xxx` runs without exiting `uart_console_win` (linux, py), it will fail to open the serial interface . In this case, the `uart_console_win` (linux, py) should be terminated by clicking **Remove All Terminated Launches** and **Terminate** icon in the Console terminal.

5.7.3 Programming Firmware Images Using SEGGER J-Link

The firmware image also can be programmed using Segger J-Link. The requirements are as follows.

- J-Link Debug Probes (J-Link LITE or higher versions)
See: <https://www.segger.com/products/debug-probes/j-link/models/model-overview/>
- e²studio 2023-07 (23.7.0) or later
- Python 3.8 (optional)

The J-Link setup procedure required to work with J-Flash which was described in the [J-Link / J-Trace User Guide \(UM08001\)](#).The following scripts are included in the SDK:

- `jlink_erase_all_win`(linux/py): Erase all area of the flash
- `jlink_program_all_win`(linux/py): Program all images
- `jlink_program_boot_win`(linux/py): Program FBOOT image
- `jlink_program_rtos_win`(linux/py): Program FRTOS image
- `jlink_program_all_central_win`(linux/py): Program all images for Bluetooth central role (for DA16600)
- `jlink_program_ble_peri_win`(linux/py): Program Bluetooth image for a peripheral (for DA16600)
`jlink_program_ble_cent_win`(linux/py): Program Bluetooth image for a central role (for DA16600)

The programming can be completed by selecting the project and launch in **Run > External Tools** menu as shown in [Figure 45](#).

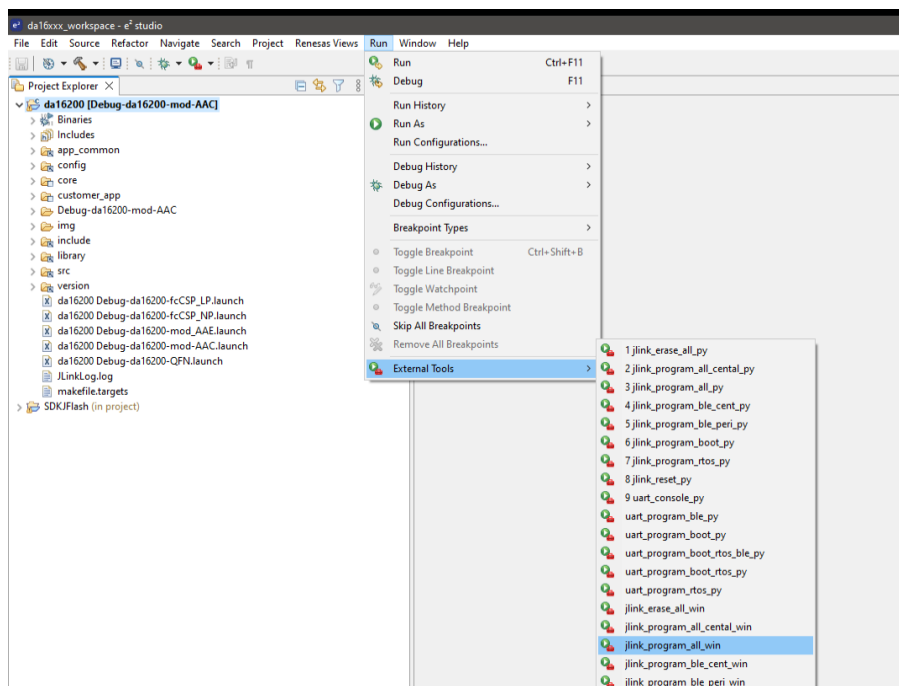
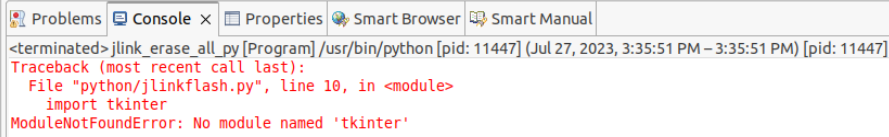


Figure 45: Run J-Link Launch

NOTE

- **For Linux OS**
 - If the following error occurs when running `jlink_*.py`, install the **tkinter** module for python

NOTEA screenshot of an IDE's console window. The window title bar shows 'Problems', 'Console x', 'Properties', 'Smart Browser', and 'Smart Manual'. The console output shows a Python script execution that terminated with a traceback. The traceback indicates a 'ModuleNotFoundError: No module named 'tkinter'' in the file 'python/jlinkflash.py' at line 10. The console text is: <terminated> jlink_erase_all_py [Program] /usr/bin/python [pid: 11447] (Jul 27, 2023, 3:35:51 PM - 3:35:51 PM) [pid: 11447] Traceback (most recent call last): File "python/jlinkflash.py", line 10, in <module> import tkinter ModuleNotFoundError: No module named 'tkinter'

```
<terminated> jlink_erase_all_py [Program] /usr/bin/python [pid: 11447] (Jul 27, 2023, 3:35:51 PM - 3:35:51 PM) [pid: 11447]
Traceback (most recent call last):
  File "python/jlinkflash.py", line 10, in <module>
    import tkinter
ModuleNotFoundError: No module named 'tkinter'
```

- Install **tkinter** module using command in the terminal as follows
 - `sudo apt-get install python3-tk`

Other methods for programming the firmware images are described in Section 4.5.

5.8 Migrating IDE from Eclipse to e²studio for Old SDKs

The old SDKs (before SDK 3.2.8) also can be used in the e²studio. To migrate, complete the following steps.

1. Delete `.project` in root folder of the old SDK.
2. Delete all folders and files in `<sdk_root_directory>\utility\j-link\scripts\qspi\`.
3. Copy all folders and files in `<sdk_root_directory>\utility\j-link\scripts\qspi\` of SDK 3.2.8 (or later) to `<sdk_root_directory>\utility\j-link\scripts\qspi\` of old SDK.
4. Install e²studio, create workspace, import projects, and import launches.

6 Test Procedures

6.1 Introduction

This section describes various tests that verify the proper operation of the DA16200/DA16600 and demonstrate its features.

The tests include:

- Ping Test – Verify the connection between the DA16200/DA16600 and another device connected to the same AP
- Throughput Test – Demonstrate the Wi-Fi performance of the DA16200/DA16600
- DPM Setup – Demonstrate the various power modes of the DA16200/DA16600
- Current Test – Demonstrate the amount of power consumed when the DA16200/DA16600 is in sleep modes

6.2 Ping Test

Ping is a standard application that is used to verify if devices exist on a network. This test procedure demonstrates that the DA16200/DA16600 responds to ping commands while in DPM low power mode.

6.2.1 Test Setup

The ping communication test requires an access point (AP) and two stations consisting of a DA16200 or DA16600 EVB and a desktop. The two stations must be connected to the same sub-network AP as shown in [Figure 46](#).

The DA16200 must be connected to the AP via Wi-Fi, and the laptop must be connected to the AP with an Ethernet cable. After the DA16200/DA16600 is configured, it goes into DPM low power mode and only wakes up from the low power mode when unicast packets are received.

In this test, a ping application which runs on the laptop acts as a network peer that sends a unicast packet to the DA16200/DA16600. This shows that when the DA16200/DA16600 is in DPM low power mode, it can successfully wake up and receive the unicast packets in real-time.



Figure 46: Ping Test Environment

1. On the laptop, open a Command Prompt as administrator.
2. Run the `ipconfig` command to list the IP address of the network adaptor.

```
C:\user\testuser>ipconfig

Windows IP Configuration

Ethernet adapter Ethernet 4:

Connection-specific DNS Suffix . . :
Link-local IPv6 Address . . . . . : fe80::4c8:3627:424b:1951%20
IPv4 Address. . . . . : 192.168.0.65
```

DA16200 DA16600 FreeRTOS Getting Started Guide

```
Subnet Mask . . . . . : 255.255.255.0
Default Gateway . . . . . : 192.168.0.1
```

In this case, the IP address is 192.168.0.65 and the default gateway is 192.168.0.1.

- Open a serial terminal and connect to the DA16200 serial debug port.
Configure the DA16200/DA16600 to operate in station mode as described in Section 4.6.1.
Once the DA16200/DA16600 is configured, reboot and check the output to get the assigned IP address.

```
Connection COMPLETE to 80:ca:4b:30:02:0a

-- DHCP Client WLAN0: SEL(6)
-- DHCP Client WLAN0: REQ(1)
-- DHCP Client WLAN0: CHK(8)
-- DHCP Client WLAN0: BOUND(10)
    Assigned addr   : 192.168.0.66
    netmask         : 255.255.255.0
    gateway         : 192.168.0.1
    DNS addr        : 61.41.153.2

    DHCP Server IP  : 192.168.0.1
    Lease Time      : 06h 00m 00s
    Renewal Time    : 03h 00m 00s
```

In this case, the assigned IP for the DA16200/DA16600 is 192.168.0.66.

- Verify the setup.

Using the IP address of the DA16200/DA16600 run a ping command on the laptop as follows:

```
C:\user\testuser>ping 192.168.0.66

Pinging 192.168.0.66 with 32 bytes of data:
Reply from 192.168.0.66: bytes=32 time=81 ms TTL=255
Reply from 192.168.0.66: bytes=32 time=14 ms TTL=255
Reply from 192.168.0.66: bytes=32 time=18 ms TTL=255
Reply from 192.168.0.66: bytes=32 time=25 ms TTL=255

Ping statistics for 192.168.0.66:
    Packets: Sent = 4, Received = 4, Lost = 0 (0% loss),
    Approximate round trip times in milli-seconds:
        Minimum = 14 ms, Maximum = 81 ms, Average = 34 ms
```

6.2.2 Perform Ping Test with DPM Enabled

Once the environment is ready and simple ping is working, perform the ping test with DPM enabled.

- Enable DPM as described in Section 6.4.7.2.
When DPM is enabled, the DA16200/DA16600 goes into DPM low power mode.
- Run the ping command on the laptop.

Run a ping command on the laptop using the IP address of the DA16200/DA16600 as follows:

```
C:\user\testuser>ping 192.168.0.66

Pinging 192.168.0.66 with 32 bytes of data:
Reply from 192.168.0.66: bytes=32 time=81 ms TTL=255
Reply from 192.168.0.66: bytes=32 time=14 ms TTL=255
Reply from 192.168.0.66: bytes=32 time=18 ms TTL=255
Reply from 192.168.0.66: bytes=32 time=25 ms TTL=255

Ping statistics for 192.168.0.66:
    Packets: Sent = 4, Received = 4, Lost = 0 (0% loss),
    Approximate round trip times in milli-seconds:
        Minimum = 14 ms, Maximum = 81 ms, Average = 34 ms
```

DA16200 DA16600 FreeRTOS Getting Started Guide

For each ping packet sent, the DA16200/DA16600 wakes up and print a message on the serial terminal and then returns to the low power mode:

```
Wake-up source is 0x82

>>> TIM STATUS: 0x00000001
>>> TIM : UC

>>> Start DEM Power-Down !!!
rwnx_send_set_ps_mode PS TIME (us) 139351

Wake-up source is 0x82

>>> TIM STATUS: 0x00000001
>>> TIM : UC

>>> Start DEM Power-Down !!!
rwnx_send_set_ps_mode PS TIME (us) 179263

Wake-up source is 0x82

>>> TIM STATUS: 0x00000001
>>> TIM : UC

>>> Start DEM Power-Down !!!
rwnx_send_set_ps_mode PS TIME (us) 129354
```

To disable or change the DPM settings, see Section 6.4.7.3.

6.2.3 How to Add ARP Record

This section describes how to add a DHCP assigned IP address to the ARP table and change that IP address from a dynamic to a static IP address.

If the DA16200/DA16600 is in DPM low power mode and there are multiple network interfaces enabled, an ARP entry must be added for the specific interface so that the laptop knows how to find the DA16200/DA16600. Since retransmission logic is not included in the higher protocol (TCP/UDP), an additional ARP record is required for ping tests between the laptop and the DA16200/DA16600 which is operating in DPM low power mode.

1. Use the `arp -s` command to manually add an ARP record to the ARP cache and then use the `arp -a` command to view the ARP table for the network interface.

```
C:\user\testuser>arp -s 192.168.0.66 d4-3d-39-10-a2-48
C:\user\testuser>arp -a

Interface: 192.168.0.105 --- 0x12
Internet Address      Physical Address      Type
192.168.0.1          80-ca-4b-30-02-09    dynamic
192.168.0.66         d4-3d-39-10-a2-48    dynamic
192.168.0.255        ff-ff-ff-ff-ff-ff    static
224.0.0.2            01-00-5e-00-00-02    static
224.0.0.22           01-00-5e-00-00-16    static
224.0.0.251          01-00-5e-00-00-fb    static
239.255.255.250      01-00-5e-7f-ff-fa    static
255.255.255.255      ff-ff-ff-ff-ff-ff    static
```

The IP address (192.168.0.66) of DA16200 is now added to the ARP table as a dynamic type.

NOTE

When setting up the ARP cache to static with the command `arp -s` on higher versions of Windows, an error such as `Failed to add ARP entry, Access is denied.` occurs. Renesas recommends to use `netsh` to change the network settings.

2. Use the command `netsh interface show interface` to find the interface name.

```
C:\user\testuser>netsh interface show interface

Admin State  State      Type      Interface Name
```

DA16200 DA16600 FreeRTOS Getting Started Guide

Enabled	Connected	Dedicated	Ethernet
Enabled	Disconnected	Dedicated	Wi-Fi

- Use the interface name of DA16200 to set the ARP cache to static with the `netsh` command and then use `arp -a` to verify that it is now a static ARP entry.

```
C:\user\testuser>netsh interface ip add neighbors "Ethernet" "192.168.0.66" "d4-3d-39-10-a2-48"

C:\WINDOWS\system32>arp -a

Interface: 192.168.0.105 --- 0x12
Internet Address      Physical Address      Type
192.168.0.1           80-ca-4b-30-02-09    dynamic
192.168.0.66          d4-3d-39-10-a2-48    static
192.168.0.255         ff-ff-ff-ff-ff-ff    static
224.0.0.2             01-00-5e-00-00-02    static
224.0.0.22            01-00-5e-00-00-16    static
224.0.0.251           01-00-5e-00-00-fb    static
239.255.255.250       01-00-5e-7f-ff-fa    static
255.255.255.255       ff-ff-ff-ff-ff-ff    static
```

The IP address (192.168.0.66) of DA16200 is now added to ARP table as a static type.

- Use the command `arp -d` or `netsh interface ip delete arpcache` to initialize the ARP cache.

6.3 Throughput Test

This section describes how to perform the throughput test using the TCP client/server protocol. DA16200 has `iperf` command for measuring throughput performance. To perform the throughput test, prepare the DA16200 to operate in station mode and disable DPM as described in Section 4.6.1 and Section 6.4.7.3 respectively.

6.3.1 Test Setup



Figure 47: Throughput Test Environment

The Iperf tool should be installed on the laptop. Renesas recommends to install **Iperf Version 2.0.9**.

NOTE
Iperf 3.x is not supported.

To set up Iperf tool, complete the following steps.

- Download Iperf from <https://iperf.fr/iperf-download.php>.
- Create a folder called **Iperf** in path **C:**.
- Unzip the downloaded file and move the contents to the Iperf folder.
- Prepare the DA16200 to operate in station mode as described in Section 4.6.1.
- Use `iperf` or `iperf -h` command to see the available options in Iperf.

DA16200 DA16600 FreeRTOS Getting Started Guide

Example:

```
[/DA16200] # net                                     Switch to network command mode.
      Command-List is changed, "NET"
[/DA16200/NET] # iperf                               Run iperf command.
Usage: iperf -I [WLAN0|WLAN1] [-s|-c host][options]
      iperf [-h] [-v]

Client/Server:
  -I      Interface [WLAN0|WLAN1]
  -i      seconds between periodic bandwidth reports
  -u      use UDP rather than TCP
  -p, #   server port to listen on/connect to
  -f, [kmKM] format to report: Kbits, Mbits, KBytes, MBytes
  -d      finish service
          ex) iperf -d -c -u : udp clinet
              iperf -d -c   : tcp clinet
              iperf -d -u   : udp server
              iperf -d     : tcp server

Server specific:
  -s      run in server mode
  -T #    Rx Time Out Min:1 sec. 'F' Forever

Client specific:
  -c      <host> run in client mode, connecting to <host>
  -t #    time in seconds to transmit for (default 10 secs)
  -x #    tcp API mode default:basic tcp(API) 1:Altcp 2:Socket
  -y #    Transmit delay, tick 1 ~ 100
  -l #    PacketSize option (UDP default 1470, IPv6 1448 TCP 1000)
  -n #    UDP Tx packet number
  -P, #   Pair Index (0,1,2)
          (default Max, Step 1~100 Mbps)
  -O      use Main Packet Pool

Miscellaneous:
  -h      print this message
  -v      print version
```

6.3.2 Throughput Test with DA16200/DA16600 as Client

To set up the throughput test with the DA16200/DA16600 operating as a client and the laptop operating as a server, complete the following steps.

1. Connect the laptop which is the server to the AP.
2. In the command prompt, use `ipconfig /all` to find the IP address.

```
C:\user\testuser>ipconfig /all

Ethernet adapter Ethernet:

    Connection-specific DNS Suffix  . : Davolink
    Description . . . . . : Realtek USB GbE Family Controller #3
    Physical Address. . . . . : 50-E0-85-D7-1E-4B
    DHCP Enabled. . . . . : Yes
    Autoconfiguration Enabled . . . . : Yes
    Link-local IPv6 Address . . . . . : fe80::b1e7:a692:a700:748a%13(Preferred)
    IPv4 Address. . . . . : 192.168.0.103 (Preferred)
    Subnet Mask . . . . . : 255.255.255.0
    Lease Obtained. . . . . : Monday, September 27, 2021 4:23:16 PM
    Lease Expires . . . . . : Tuesday, September 28, 2021 4:24:33 PM
    Default Gateway . . . . . : 192.168.0.1
    DHCP Server . . . . . : 192.168.0.1
    DHCPv6 IAID . . . . . : 173072517
    DHCPv6 Client DUID. . . . . : 00-01-00-01-28-2E-4F-CA-98-E7-43-AD-7D-81
    DNS Servers . . . . . : 1.214.68.2
                           61.41.153.2
    NetBIOS over Tcpip. . . . . : Enabled
```

DA16200 DA16600 FreeRTOS Getting Started Guide

NOTE
The IP address varies depending on the AP settings.

3. To ensure stable Iperf testing, run the Windows Security APP and turn off the network firewall.
 - Renesas recommends to disable the laptop from all network firewalls before attempting a test as shown in [Figure 48](#)

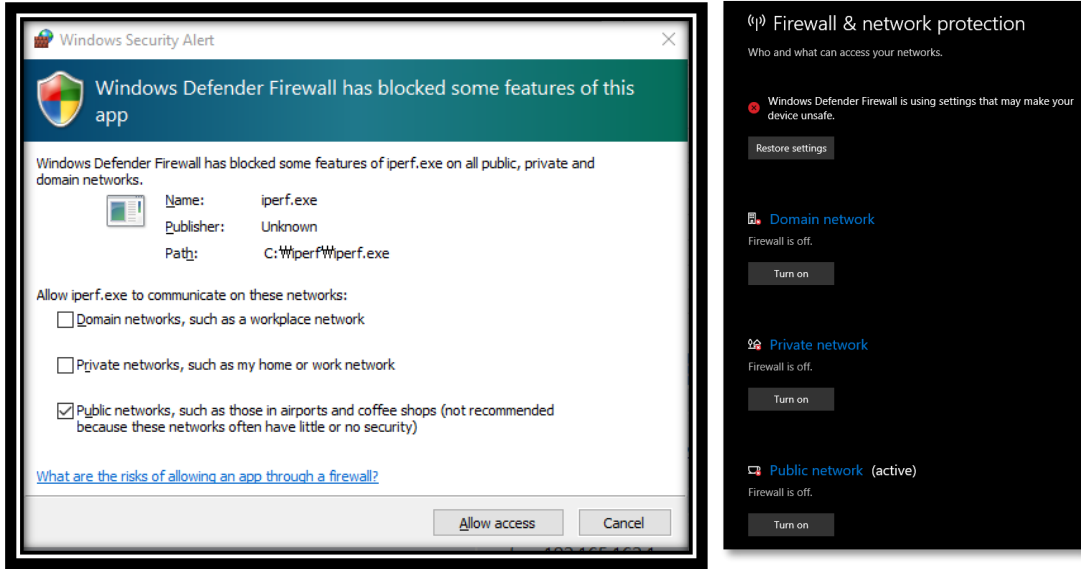


Figure 48: Disable Firewall for Iperf Test

4. In the command prompt, go to the directory where Iperf is installed, and type `iperf -s` to configure the TCP server.

```
c:\tools\iperf>iperf -s
Server listening on TCP port 5001
TCP window size: 208 KByte (default)
```

Iperf is now running as a server on the laptop and waiting for the DA16200/DA16600 to start the client test app.

5. In the DA16200/DA16600 console window, switch to "NET" command mode and type "`iperf -I wlan0 -c 192.168.0.103 -t 5 -i 1`" to run the Iperf client test on the DA16200/DA16600.

```
[/DA16200] # net                               Switch to network command mode.
          Command-List is changed, "NET"

[/DA16200/NET] # iperf -I wlan0 -c 192.168.219.103 -t 5 -i 1  Run the Iperf client test.
[/DA16200/NET] #

[TCP] Tx Test (Client) ==> 192.168.219.103:5001
TCP_TX: [ No ]      [Interval]  [Transfer]      [Bandwidth]      [Dst IP:Port]
TCP_TX: [0001]      0.00- 1.00    2.070 MBytes    17.368 Mbits/sec 192.168.0.103:5001
TCP_TX: [0002]      1.00- 2.00    2.156 MBytes    18.092 Mbits/sec 192.168.0.103:5001
TCP_TX: [0003]      2.00- 3.00    2.142 MBytes    17.975 Mbits/sec 192.168.0.103:5001
TCP_TX: [0004]      3.00- 4.00    2.192 MBytes    18.396 Mbits/sec 192.168.0.103:5001
TCP_TX: [Total]     0.00- 5.00    10.801 MBytes    18.122 Mbits/sec 192.168.0.103:5001

[/DA16200/NET] #
```

Where the format of the iperf command type is:

```
iperf -I [INTERFACE] [-s/-c] [DESTINATION IP] (-u) -i [INTERVAL TIME] -t [TEST TIME]
```

DA16200 DA16600 FreeRTOS Getting Started Guide

6.3.3 Throughput Test with DA16200/DA16600 as Server

To set up the throughput test with the DA16200/DA16600 operating as a server and the laptop operating as a client, complete the following steps.

1. Power on the DA16200/DA16600 and check the assigned IP address in the DA16200/DA16600 console window:

```

Connection COMPLETE to 80:ca:4b:30:02:0a

-- DHCP Client WLAN0: SEL(6)
-- DHCP Client WLAN0: REQ(1)
-- DHCP Client WLAN0: CHK(8)
-- DHCP Client WLAN0: BOUND(10)
    Assigned addr   : 192.168.0.66
      netmask      : 255.255.255.0
      gateway     : 192.168.0.254
      DNS addr    : 61.41.153.2

      DHCP Server IP : 192.168.0.254
      Lease Time    : 06h 00m 00s
      Renewal Time  : 03h 00m 00s

[/DA16200] #

```

2. In the DA16200/DA16600 console window, switch to “NET” command mode and type “iperf -I wlan0 -s” to run the Iperf server.

```

[/DA16200] # net                               Switch to network command mode.
  Command-List is changed, "NET"
[/DA16200/NET] # iperf -I wlan0 -s             Run Iperf in server mode.

iPerf Server(TCP): Ready
[/DA16200/NET] #

```

The DA16200/DA16600 is now running in the iperf server mode.

3. In the command prompt, type “iperf -I wlan0 -c 192.168.0.103 -t 5 -i 1” to run the Iperf client test on the laptop.

```

C:\tools\iperf>iperf.exe -c 192.168.0.66 -t 5 -i 1   Run the Iperf client test.
Client connecting to 192.168.0.66, TCP port 5001
TCP window size: 208 KByte (default)
[ 3] local 192.168.219.105 port 53916 connected with 192.168.0.66 port 5001
[ ID] Interval      Transfer      Bandwidth
[ 3] 0.0- 1.0 sec    2.62 MBytes   22.0 Mbits/sec
[ 3] 1.0- 2.0 sec    2.50 MBytes   21.0 Mbits/sec
[ 3] 2.0- 3.0 sec    2.38 MBytes   19.9 Mbits/sec
[ 3] 3.0- 4.0 sec    2.38 MBytes   19.9 Mbits/sec
[ 3] 4.0- 5.0 sec    2.38 MBytes   19.9 Mbits/sec
[ 3] 0.0- 5.0 sec   12.2 MBytes   20.5 Mbits/sec

C:\tools\iperf>

```

The following results appear in the DA16200/DA16600 command window.

```

[TCP] Receive Test (Server)
TCP_RX: [ No ]      [Interval]  [Transfer]      [Bandwidth]
TCP_RX: [Total]    0.00- 5.13    12.250 MBytes   20.031 Mbits/sec 192.168.0.103:53916

```

6.4 Current Test

To measure the current waveform, connect the EVB’s current test point (P2) with the testing instrument. For more information on the Sleep modes, see Ref. [1].

DA16200 DA16600 FreeRTOS Getting Started Guide

6.4.1 Test Setup – KEYSIGHT 14585A

Figure 49 shows a typical test setup environment.

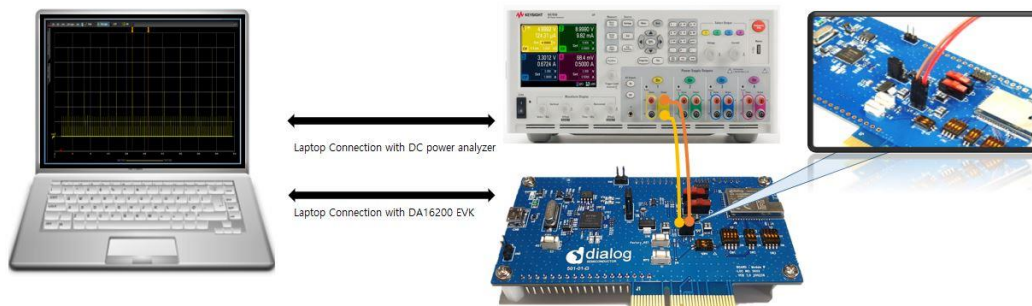


Figure 49: Current Test Environment with 14585A

6.4.2 Test Setup with EVK PRO Board

EVK PRO board is a simple evaluation board without any additional devices to measure current.

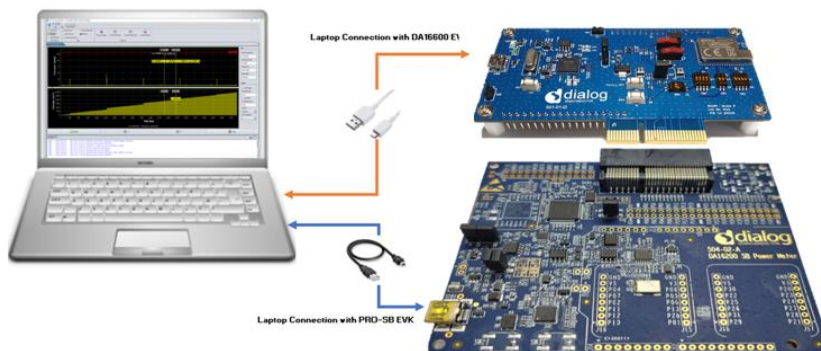


Figure 50: Current Test Environment with EVK PRO for DA16200

1. To measure current with DA16200 EVK PRO board, connect the two boards with the PCI connector.
2. Open the two jumpers (P2) of the power line on the DA16200 EVB as shown in Figure 51.
3. Power is supplied from the EVK PRO board, and current consumption of DA16200 can be measured.

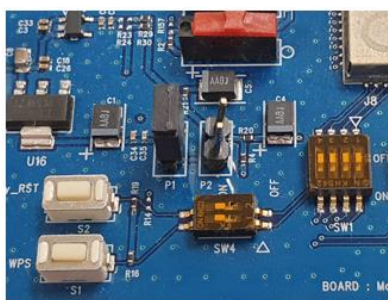


Figure 51: Set Up DA16200 EVB Jumper

Figure 52 shows a typical test setup environment with DA16600 EVK PRO board and Wi-Fi IoT Power Profiler Tool.

DA16200 DA16600 FreeRTOS Getting Started Guide

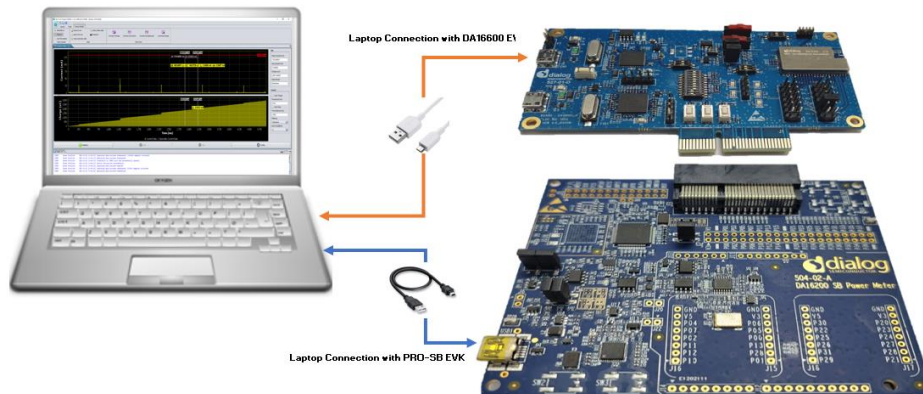


Figure 52: Current Test Environment with EVK PRO for DA16600

1. To measure current with DA16600 EVK PRO board, connect the two boards with the PCI connector.
2. Change the jumper setting (P1 and P2) and switch (SW5) settings on the DA16600 EVB.
3. Open the DA16600 EVB's power two jumper caps as shown in [Figure 53](#).

Selectable DIP Switch (SW5) is available:

- If SW (1) moves to switch on, measure the current of Wi-Fi chipset
- If SW (2) moves to switch on, measure the current of the Bluetooth® LE chipset

By switching on both, users can measure all currents consumed by Bluetooth® LE and Wi-Fi.

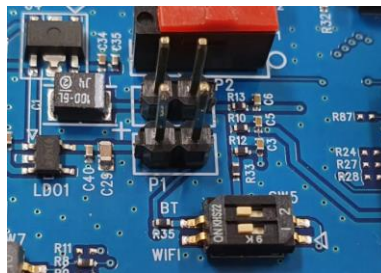


Figure 53: Setup DA16600 EVB Jumper

6.4.2.1 DA16200/DA16600 EVK PRO Board (504-02-A)

[Figure 54](#) shows the component locations of the DA16200/DA16600 EVK PRO board.

DA16200 DA16600 FreeRTOS Getting Started Guide

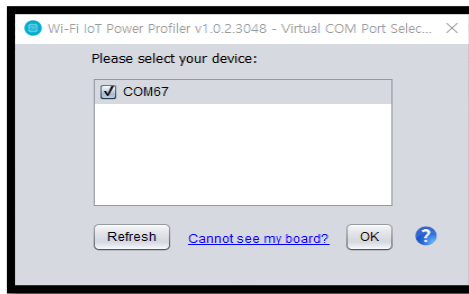


Figure 55: Select Virtual COM Port

6.4.2.3 Set Up Wi-Fi IoT Power Profiler

When the proper COM port is selected as shown in Figure 55, click the **OK** button. Then, the main window of the Power Profiler application in SmartSnippets Wi-Fi IoT Power Profiler Toolbox pops up as shown in Figure 56. Click the **Config** button at the bottom right and check that the configuration is correct. See Figure 57.

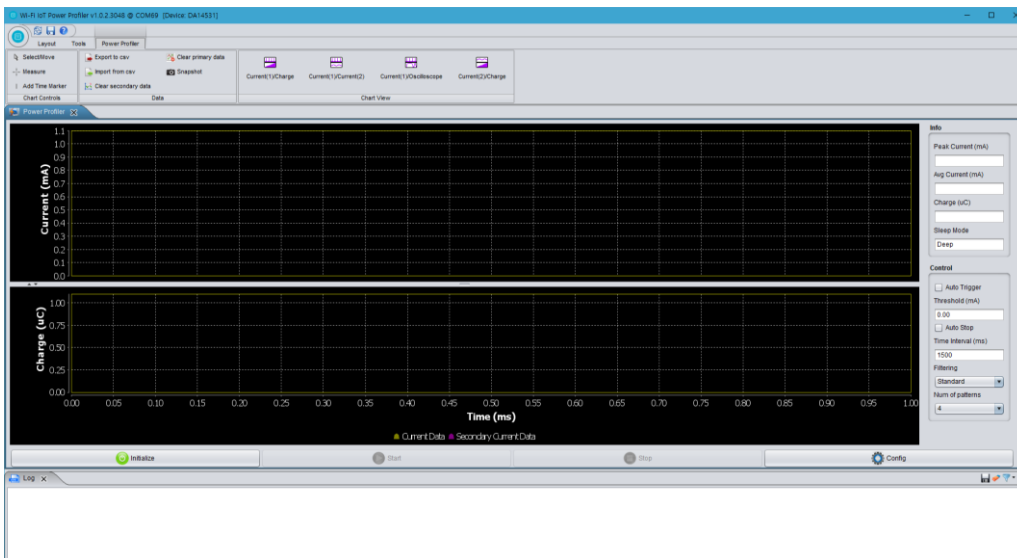


Figure 56: Power Profiler of SmartSnippets Toolbox

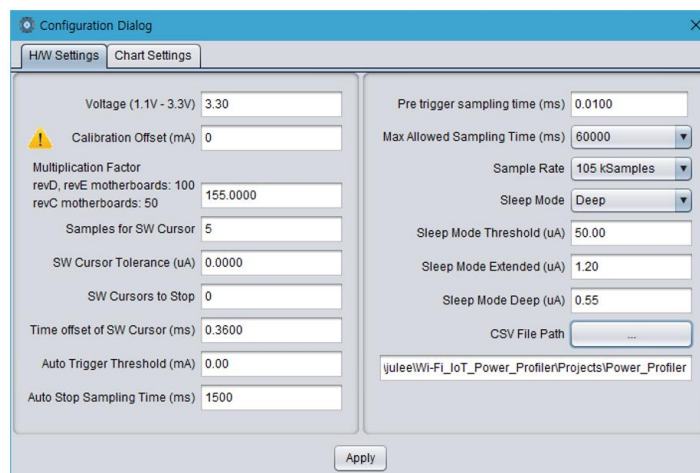


Figure 57: Power Profiler Configuration

DA16200 DA16600 FreeRTOS Getting Started Guide

In the H/W Settings tab of the new profile, the **Voltage (1.1 V - 3.3V)** field is typically empty and the **Calibration Offset (mA)** field is zero. Apply the correct voltage as configured in the Power Meter LDO (typically, it is 3.3 V). The Calibration offset (mA) is filled automatically with a calculated value. This value is good enough to measure with $\pm 2\%$ accuracy. Check the multiplication factor, and for DA16200/DA16600, it should be **155**.

The user can set a maximum scale for the waveform window optionally since there are large peaks on wake up from sleep (charging capacitors) generally. Thus, the useful part of the signal is compressed to a very small area. To set a maximum scale for the waveform window, open the **Chart Settings** tab as shown in [Figure 58](#) and for **Plot Current1**, set the **MAX** scale of **Current (mA)** to 10 mA. Note that this does not affect anything to the accuracy of the measurement. It can only zoom the waveform, which is presented in the viewer. Click **Apply** and return to the measurement window.

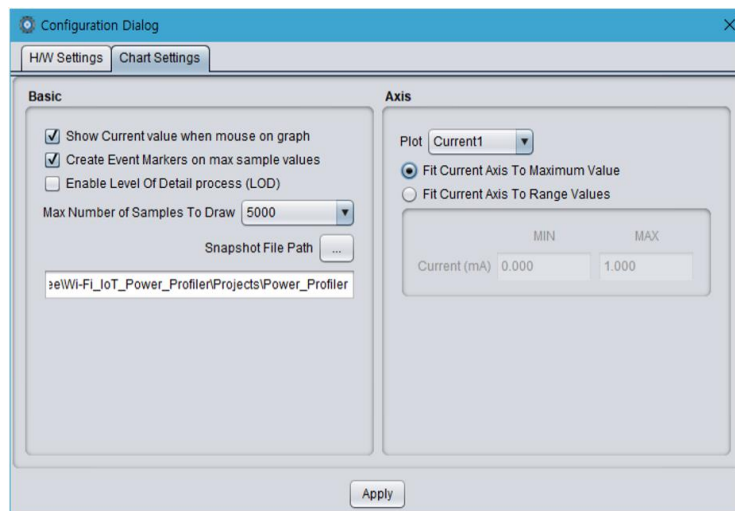


Figure 58: Power Profiler Chart Settings

6.4.2.4 Measure Current Consumption

In the measurement window as shown in [Figure 59](#), choose **Initialize** at the bottom left (this step is only needed for the first communication with the A/D converter). Click **Start**.

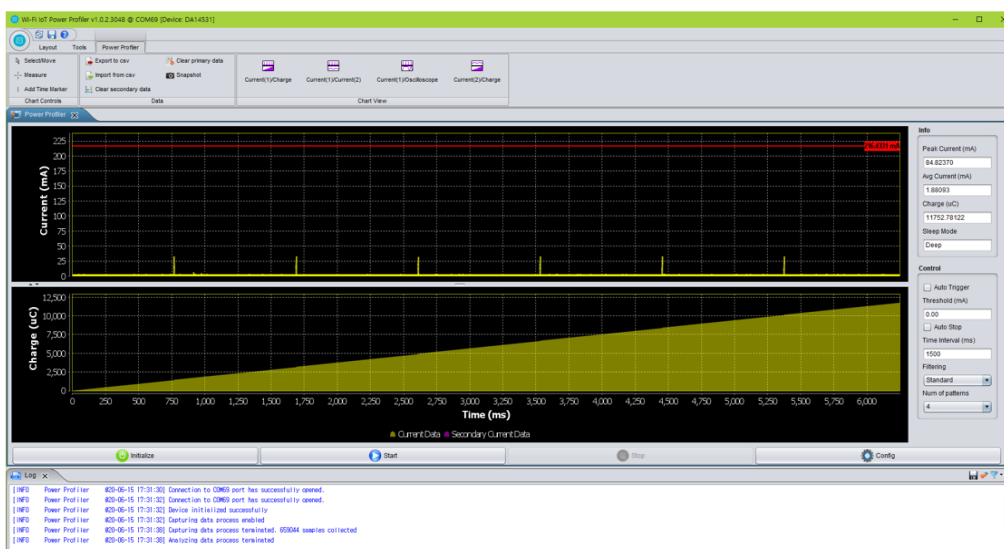


Figure 59: Free Running Capture

Select the **Power Profiler > Measure** menu on the window, users can measure the current consumption in the desired section as peak and average by using a mouse.

DA16200 DA16600 FreeRTOS Getting Started Guide

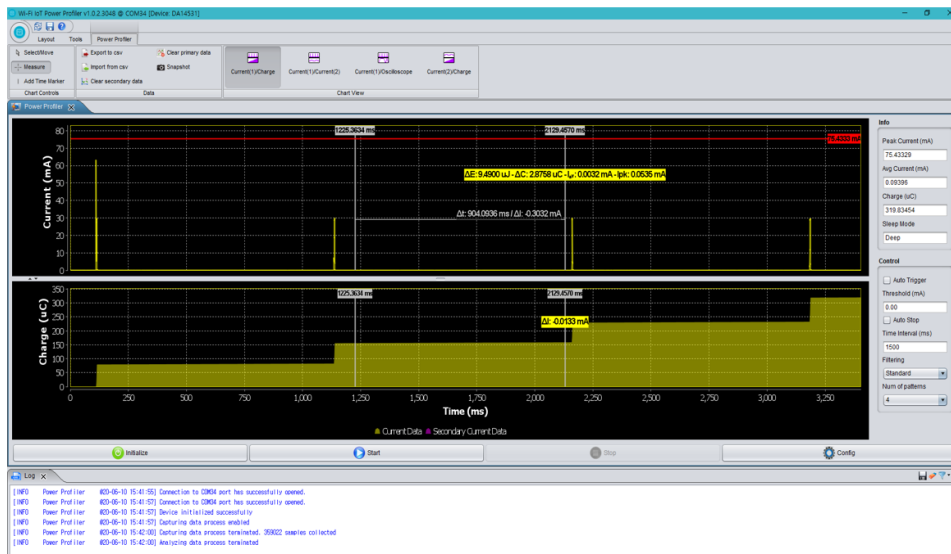


Figure 60: Measuring Consumption by Using Chart Controls

6.4.2.5 Manual Calibration

For the most accurate measurement, complete the following steps.

1. Remove the daughterboard, for example, the load, by physically disconnecting the DA16200/DA16600 EVB from the motherboard.
2. In the main window of the Power Profiler, click **Config** and temporarily set the **Calibration Offset (mA)** field to zero as shown in Figure 61.

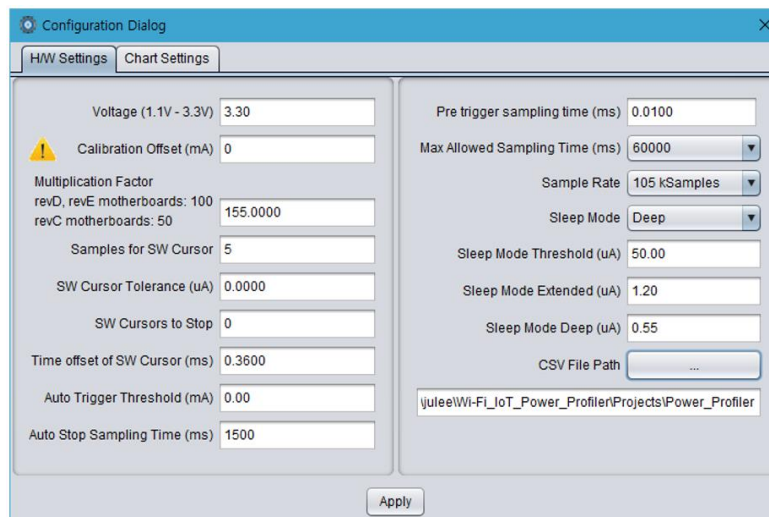


Figure 61: Setting Offset to Zero

3. Run a free running capture for a few seconds and note down the number in the **Avg Current (mA)** field as shown in Figure 62. Note that the last digits of the number keep changing slowly due to temperature drift. It is important to do the calibration steps periodically.
4. Finally, put this average value with a negative sign in the **Calibration Offset (mA)** field. CTRL-C and CTRL-V are also workable as shown in Figure 62.

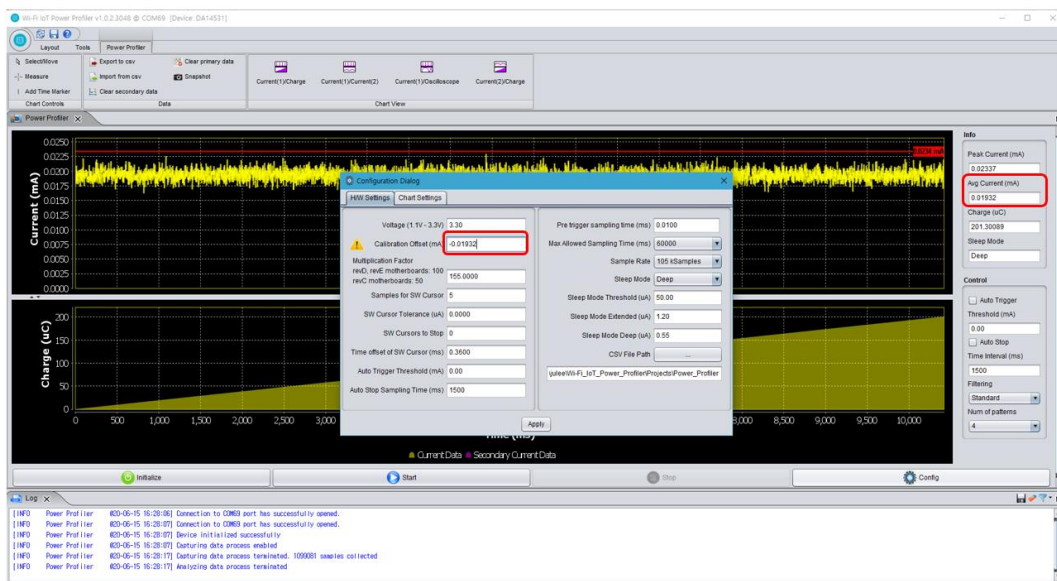


Figure 62: Setting Calibration Offset

The user manual can be found in the local folder where the DA16200 DA16600 Evaluation Kit Pro Power Profiler is downloaded.

6.4.3 Measure Current in Sleep Mode 1

To measure current in Sleep mode 1, power off the EVB by setting **RTC_PWR_KEY** to the **OFF** position (**SW6** on the DA16200 EVB or **SW2** on the DA16600 EVB).

6.4.4 Measure Current in Sleep Mode 2

To measure current in Sleep mode 2, use the CLI commands as shown below.

1. Power on the EVB by setting **RTC_PWR_KEY** to the **ON** position (**SW6** on the DA16200 EVB or **SW2** on the DA16600 EVB).
2. Type the `factory` command to delete `nvr` data and certificates, and perform SW reboot.
3. After the EVB reboots, run the `sys.hal` command to enter 'hal' mode.

```
[/DA16200] # sys.half
```

4. Run the `sleep 2 <time(sec)>` command to enter Sleep mode 2 for the specified time in seconds.

```
[/DA16200/SYS.HAL] # sleep 2 <time(sec)>
```

For instance, `[/DA16200/SYS.HAL] # sleep 2 10`

It allows DA16200 to stay in Sleep mode 2 for a specified time (10 seconds) and wake up.

6.4.5 Measure Current in Sleep Mode 3

To measure current in Sleep mode 3, use the CLI commands as shown below.

1. Power on the EVK by setting **RTC_PWR_KEY** to the **ON** position (**SW6** on the DA16200 EVB or **SW2** on the DA16600 EVB).
2. Type the `factory` command to delete `nvr` data and certificates, and perform SW reboot.
3. After the EVK reboots, run the `sys.hal` command to enter 'hal' mode.

```
[/DA16200] # sys.half
```

4. Run the `sleep 3 <time(sec)>` command to enter Sleep mode 3 for the specified time in seconds.

```
[/DA16200/SYS.HAL] # sleep 3 <time(sec)>
```


DA16200 DA16600 FreeRTOS Getting Started Guide

For instance, [/DA16200/SYS.HAL] # sleep 3 10

It allows DA16200 to stay in Sleep mode 3 for a specified time (10 seconds) and wake up.

6.4.6 Measure Current in DPM Low Power Mode

- Enable DPM mode as described in Section 6.4.7.
 - When running the DA16200 with DPM enabled, DA16200 runs sleep 3 state, wake up for Beacon check, and Keep Alive according to the configured DTIM

For example: Figure 63 shows the current waveform with settings DTIM 10 (about 1 sec @ AP DTIM=1) and Keep Alive 30s. Sleep mode 3 means that it is in sleep state in the interval between RXs or between RX and TX.

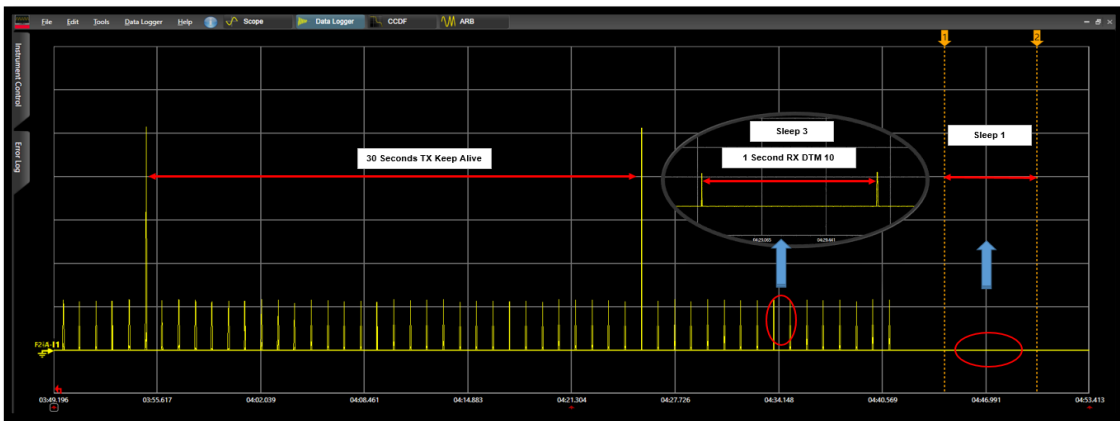


Figure 63: Measuring Current in DPM Low Power Mode

6.4.7 DPM Setup

6.4.7.1 What is DPM

Dynamic Power Management (DPM) is a synthesis of breakthrough in ultra-low power technologies that enable extremely low power operation in the DA16200. DPM shuts down all microelements on the DA16200/DA16600 when it is not in use, which allows a near zero level of power consumption when not actively transmitting or receiving data. Such low-power consumption can provide a battery life of one year or more, depending on the application. DPM also enables ultra-low power transmit/receive modes when the SoC needs to be awake to exchange information with other devices. Advanced algorithms enable to stay asleep until the exact required moment to wake up to transmit or receive.

6.4.7.2 Enable DPM Mode

This section describes how to enable DPM low power mode.

1. Complete the following steps in Section 4.6 to set up the DA16200/DA16600 in station mode.
 - a. During the setup, enable DPM as follows:

```

Dialog DPM (Dynamic Power Management) ? [Yes/No/Quit] : y      Enter "y" to enable DPM.

DPM factors : Defaults ? [Yes/No/Quit] : y                    Enter "y" to accept defaults.

=====

DPM MODE           : Enable
Dynamic Period Set : Disable
Keep Alive Time    : 30000 ms
User Wakeup Time   : 0 sec.
TIM Wakeup Count   : 10 dtim

=====

DPM CONFIGURATION CONFIRM ? [Yes/No/Quit] : y                Enter "y" to confirm the configuration.
    
```

DA16200 DA16600 FreeRTOS Getting Started Guide

```
Configuration OK
. done
```

NOTE

The default TIM wake-up count is 10 dtim:

$$10 \text{ dtim} \times 102.4 = 1,024 \text{ ms} = 1 \text{ sec} @ \text{DTIM} = 1$$

(Assumed that AP DTIM = 3, 10 dtim is 921.6 ms)

Wake up from sleep state takes place every second to check if a packet has been received.

- b. Custom DPM factors can be defined during DPM setup as follows:

```
Dialog DPM (Dynamic Power Management) ? [Yes/No/Quit] : y          Enter "y" to enable DEM.

DPM factors : Defaults ? [Yes/No/Quit] : n          Enter "n" to provide custom DPM factors.

DDPS Enable ? [No/Yes/Quit] (Default: No) :          Enter to accept the default of DDPS disabled.

DPM Keep Alive Time (0~600000 ms) ? [Quit] (Default 30000 ms) :
                                                         Custom value or "enter" for default.

DPM User Wakeup Time (0~86400 Sec.) ? [Quit] (Default 0 Sec.) :
                                                         Custom value or "enter" for default.

DPM TIM Wakeup Count (1~65535 dtim) ? [Quit] (Default 10) :
                                                         Custom value or "enter" for default.

=====
DPM MODE          : Enable
Dynamic Period Set : Disable
Keep Alive Time   : 30000 ms
User Wakeup Time  : 0 sec.
TIM Wakeup Count  : 10 dtim
=====

DPM CONFIGURATION CONFIRM ? [Yes/No/Quit] : y          Enter "y" to confirm DEM factors.

Configuration OK
. done
```

2. After rebooting, the DA16200/DA16600 enters into DPM low power mode. The following message is displayed:

```
Connection COMPLETE to 80:ca:4b:30:02:0a

-- DHCP Client WLAN0: SEL(6)
-- DHCP Client WLAN0: REQ(1)
-- DHCP Client WLAN0: CHK(8)
-- DHCP Client WLAN0: BOUND(10)
   Assigned addr  : 192.168.219.105
   netmask       : 255.255.255.0
   gateway       : 192.168.219.1
   DNS addr      : 61.41.153.2

   DHCP Server IP : 192.168.219.1
   Lease Time     : 06h 00m 00s
   Renewal Time   : 05h 00m 00s
```

NOTE

When the DA16200/DA16600 is in DPM low power mode, user input is not accepted by the debug terminal. To reenale user input, see Section [6.4.7.3](#).

6.4.7.3 Hold/Disable DPM Mode

When the DA16200/DA16600 is in DPM low power mode, user input is not accepted by the debug terminal. This is because the UART interfaces are powered down during DPM low power mode.

To exit this state and start over with `setup`, complete the following steps.

DA16200 DA16600 FreeRTOS Getting Started Guide

1. Copy the string `dpm hold` to the clipboard.
 - a. For example, open Notepad, type `dpm hold`, and then copy the command string.
2. Use `RTC_PWR_KEY` to power off (move to OFF position).
3. Use `RTC_PWR_KEY` to power on (move to ON position).
4. Before the message “>>> Start DPM Power-Down !!!” is printed on the console, complete the followings steps.
 - a. Paste the `dpm hold` string in the terminal window and immediately click the **ENTER** key.
 - i. For Windows Tera Term, use ALT-R or right click the window to paste the string.
 - ii. For Linux minicom, use CTRL-V or right click the window to paste the string.
 - b. Once this procedure is completed successfully, the message “- DPM Sleep Manager HOLD..” is displayed.
 - c. If it is not working, try again.

```

*****
*                               DA16200 SDK Information
* -----
*
* - CPU Type       : Cortex-M4 (120 MHz)
* - OS Type        : FreeRTOS 10.4.3
* - Serial Flash   : 4 MB
* - SDK Version    : V3.1.3.0 GEN
* - F/W Version    : FRTOS-GEN01-01-15129-000000
* - F/W Build Time : Aug 26 2021 22:58:01
* - Boot Index     : 0
*
*****

System Mode : Station Only (0)
>>> DA16x Supp Ver2.7 - 2020 07
>>> Wi-Fi mode : b/g/n -> b/g (for DPM)
>>> MAC address (sta0) : d4:3d:39:10:a2:48
>>> sta0 interface add OK
>>> Start STA mode...
dpm hold

- DPM Sleep Manager HOLD ...
>>> Network Interface (wlan0) : UP
>>> Associated with 80:ca:4b:30:02:0a

Connection COMPLETE to 80:ca:4b:30:02:0a

-- DHCP Client WLAN0: SEL(6)
-- DHCP Client WLAN0: REQ(1)
-- DHCP Client WLAN0: CHK(8)
-- DHCP Client WLAN0: BOUND(10)
   Assigned addr  : 192.168.219.105
   netmask       : 255.255.255.0
   gateway       : 192.168.219.1
   DNS addr      : 61.41.153.2

   DHCP Server IP : 192.168.219.1
   Lease Time     : 06h 00m 00s
   Renewal Time   : 05h 00m 00s

[/DA16200] #

```

5. Once the DPM Hold command is successfully applied, debug commands such as `setup` is available again.
6. DPM mode can be disabled by running the `dpm off` in the command prompt.
The DA16200/DA16600 reboots and the command prompt is available again.

```

[/DA16200] # dpm off

Wakeup source is 0x1
[dpm_init_retmemory] DPM INIT CONFIGURATION(1)

*****

```

DA16200 DA16600 FreeRTOS Getting Started Guide

```

*          DA16200 SDK Information
* -----
*
* - CPU Type       : Cortex-M4 (120 MHz)
* - OS Type        : FreeRTOS 10.4.3
* - Serial Flash   : 4 MB
* - SDK Version    : V3.1.3.0 GEN
* - F/W Version    : FRTOS-GEN01-01-15129-000000
* - F/W Build Time : Aug 26 2021 22:58:01
* - Boot Index     : 0
*
* *****
System Mode : Station Only (0)
>>> DA16x Supp Ver2.7 - 2020_07
>>> MAC address (sta0) : d4:3d:39:10:a2:48
>>> sta0 interface add OK
>>> Start STA mode...

>>> Network Interface (wlan0) : UP
>>> Associated with 80:ca:4b:30:02:0a

Connection COMPLETE to 80:ca:4b:30:02:0a

-- DHCP Client WLAN0: SEL(6)
-- DHCP Client WLAN0: REQ(1)
-- DHCP Client WLAN0: CHK(8)
-- DHCP Client WLAN0: BOUND(10)
   Assigned addr  : 192.168.219.105
   netmask       : 255.255.255.0
   gateway       : 192.168.219.1
   DNS addr      : 61.41.153.2

   DHCP Server IP : 192.168.219.1
   Lease Time     : 06h 00m 00s
   Renewal Time   : 03h 00m 00s

[/DA16200] #

```

NOTE

The "dpm hold" command should be used to check the status of DPM operation in the console. After entering DPM hold state, it is not allowed to perform normal operations except debugging purposes.

Appendix A Old Versions of EVB

A.1 DA16200 EVB V10.0

Figure 64 shows the hardware configuration of the DA16200 EVB.

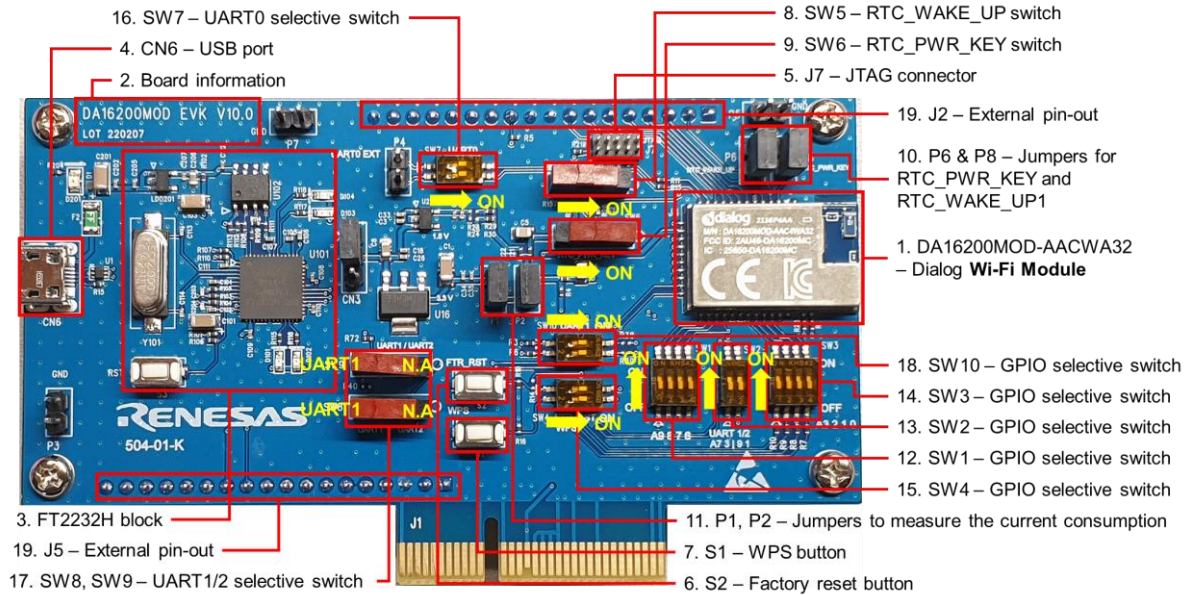
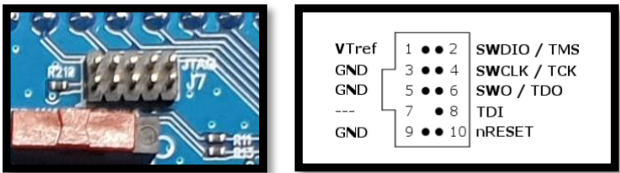


Figure 64: DA16200 EVB Hardware Configuration

DA16200 EVB V10.0 has the following components:

Table 16: Components on DA16200 EVB

No	Name	Description
1	DA16200MOD-AACWA32	Renesas Wi-Fi Module
2	Board Information	Board version and manufacturing date
3	FH2232H Block	USB to UART/SPI interfaces
4	CN6 – USB Port	Provide UART0 for debug, UART1/2 for test and SPI
5	J7 – JTAG connector	Connector for the IAR I-jet JTAG Debugger 
6	S2 – Factory Reset button	Factory Reset button using GPIOA_7. To enable this button, set Pin 2 of SW4 to ON. Press the button for at least 5 seconds to delete nvram data and certificates, and perform SW reboot, which will be rebooted in concurrent mode by default
7	S1 – WPS button	WPS button using GPIOA_6. To enable this button, set Pin 1 of SW4 to ON and press the button to start WPS mode

DA16200 DA16600 FreeRTOS Getting Started Guide

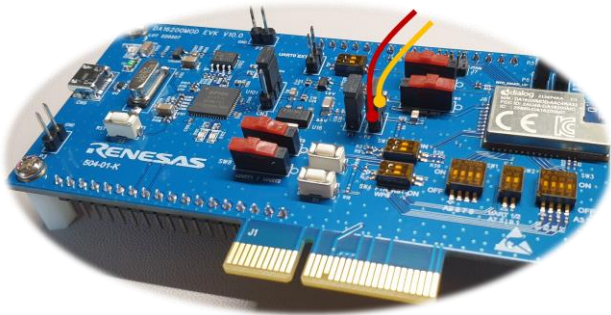
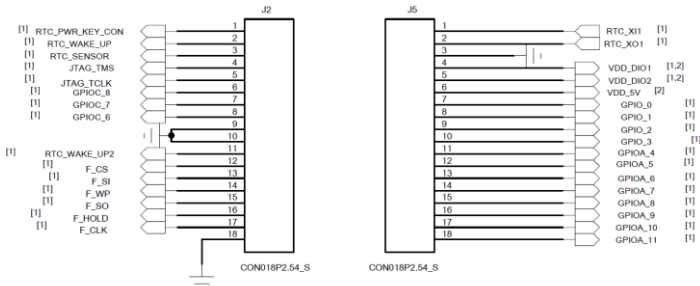
No	Name	Description
8	SW5 – RTC_WAKE_UP switch	Switch to wake up the board from sleep mode
9	SW6 – RTC_PWR_KEY switch	Switch to turn the EVB ON and OFF
10	P6 – Jumpers for RTC_WAKE_UP1	Pin for connecting the external control signal with MCU. For normal operation, this jumper should be shorted
	P8 – Jumpers for RTC_PWR_KEY	Pin for connecting the external control signal with MCU. For normal operation, this jumper should be shorted
11	P1 – External VDD	External VDD (3.3V) can be supplied to the P1 pins. For normal operation, this jumper should be shorted
	P2 – Jumper to measure current consumption of the DA16200	Pin for current measurement. For normal operation, this pin should be shorted. <ul style="list-style-type: none"> - Pull out the Short Pin cap and use jumper wires to connect to the measuring equipment 
12	SW1 – GPIO selection switch	GPIO selection switch, default OFF. See Table 17
13	SW2 – GPIO selection switch	GPIO selection switch, default ON. See Table 17
14	SW3 – GPIO selection switch	GPIO selection switch, default OFF. See Table 17
15	SW4 – GPIO selection switch	GPIO selection switch, default ON. See Table 17
16	SW7 – UART0 selection switch	UART0 selection switch, default ON. See Table 17
17	SW8, SW9 – UART1/2 selection switch	UART1/2 selection switch, default LEFT (UART1)
18	SW10 – GPIO selection switch	GPIO selection switch, default ON. See Table 17
19	J2, J5 – External pin-out	GPIO connector 

Table 17: DA16200 EVB Switch Description

Switch	Pin	Relevant GPIO	ON	OFF	Default
SW1	1	GPIOA6	Connect FT2232H to SPI_CSB (Note 1)	WPS	OFF
	2	GPIOA7	Connect FT2232H to SPI_CLK (Note 1)	Factory reset	

DA16200 DA16600 FreeRTOS Getting Started Guide

	3	GPIOA8	Connect FT2232H to SPI_MISO (Note 1)	External pin-out (J2/J5) only	
	4	GPIOA9	Connect FT2232H to SPI_MOSI (Note 1)		
SW2	1	GPIOA4	Connect FT2232H to UART1_TXD	External pin-out (J2/J5) only	ON
	2	GPIOA5	Connect FT2232H to UART1_RXD		
SW3	1	GPIOA0	Connect FT2232H to SPI_CSB (Note 1)	External pin-out (J2/J5) only	OFF
	2	GPIOA1	Connect FT2232H to SPI_CLK (Note 1)		
	3	GPIOA2	Connect FT2232H to SPI_MISO (Note 1)		
	4	GPIOA3	Connect FT2232H to SPI_MOSI (Note 1)		
SW4	1	GPIOA6	WPS	External pin-out (J2/J5) only	ON
	2	GPIOA7	Factory reset		
SW7	1	UART0_TXD	Connect FT232H to UART0_TXD	NC	ON
	2	UART0_RXD	Connect FT232H to UART0_RXD		
SW8	-	GPIOA4	Not available on DA16200 EVB V10.0 (Right)	Connect SW2 to SW10 (Left)	LEFT
SW9	-	GPIOA5	Not available on DA16200 EVB V10.0 (Right)	Connect SW2 to SW10 (Left)	LEFT
SW10	1	GPIOA4	Connect SW8 to UART1_TXD	External pin-out (J2/J5) only	ON
	2	GPIOA5	Connect SW9 to UART1_RXD		

Note 1 By default, the SPI interface is configured to support firmware download through the FT2232H. See section 4.7 for details on how to configure the EVB to support AT command processing from an MCU directly connected to the SPI interface.

The current consumption can be measured at P2 jumper with current measuring equipment. See Section 6.4 for details on how to set up the test. When DA16200 EVK Pro is used for measuring current consumption, the P1 jumper should be removed. For more information on DA16200 EVK Pro, see Section 6.4.2 and Ref. [9].

A.2 DA16200 EVB V9.0

Figure 65 shows the hardware configuration of the DA16200 EVB V9.0.

DA16200 DA16600 FreeRTOS Getting Started Guide

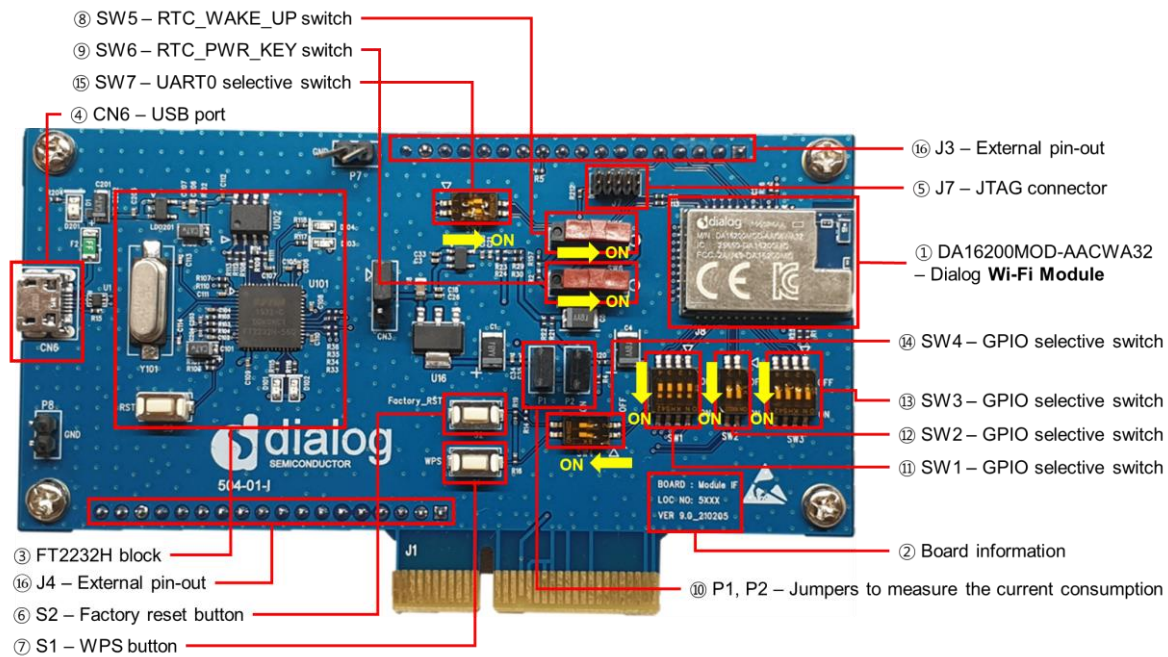



Figure 65: DA16200 EVB V9.0 Hardware Configuration

DA16200 EVB V9.0 has the following components:

Table 18: Components on DA16200 EVB

No	Name	Description
1	DA16200MOD-AACWA32	Renesas Wi-Fi Module
2	Board information	Board version and manufacturing date
3	FH2232H block	USB to UART/SPI interfaces
4	CN6 – USB port	Provide UART0 for debug, UART1/2 for test and SPI
5	J7 – JTAG connector	Connector for the IAR I-jet JTAG Debugger 
		Note: Pin 7 of the I-Jet debugger cable is keyed with a white plug so pin 7 must be removed from the EVB
6	S2 – Factory Reset button	Factory Reset button using GPIOA_7. To enable this button, set Pin 2 of SW4 to ON. Press the button for at least 5 seconds to delete <code>nvrRam</code> data and certificates, and perform SW reboot, which will be rebooted in concurrent mode by default
7	S1 – WPS button	WPS button using GPIOA6. To enable this button, set Pin 1 of SW4 to ON and press the button to start WPS mode
8	SW5 – RTC_WAKE_UP switch	Switch to wake up the board from sleep mode
9	SW6 – RTC_PWR_KEY switch	Switch to turn the EVB ON and OFF

DA16200 DA16600 FreeRTOS Getting Started Guide

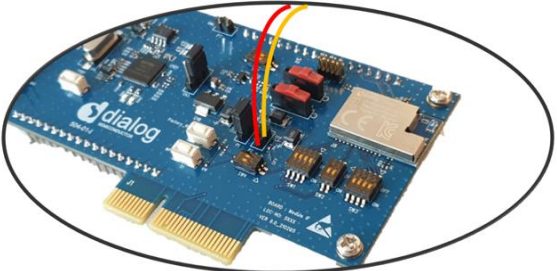
No	Name	Description
10	P1 – External VDD	External VDD (3.3V) can be supplied to the P1 pins. For normal operation, this jumper should be shorted
10	P2 – Jumper to measure current consumption of the DA16200	Pin for current measurement. For normal operation, this pin should be shorted. <ul style="list-style-type: none"> - Pull out the Short Pin cap and use jumper wires to connect to the measuring equipment 
11	SW1 – GPIO selection switch	GPIO selection switch, default OFF. See Table 19
12	SW2 – GPIO selection switch	GPIO selection switch, default ON. See Table 19
13	SW3 – GPIO selection switch	GPIO selection switch, default ON. See Table 19
14	SW4 – GPIO selection switch	GPIO selection switch, default ON. See Table 19
15	SW7 – UART0 selection switch	UART0 selection switch, default ON. See Table 19
16	J3, J4 – External Connector	Provide access to all pins of the DA16200MOD for testing and debugging

Table 19: GPIO and SPI Selection Switch

Switch	Pin	Relevant GPIO	On	Off
SW1	1	GPIOA6	Connect FT2232H to SPI_CSB	WPS
	2	GPIOA7	Connect FT2232H to SPI_CLK	Factory reset
	3	GPIOA8	Connect FT2232H to SPI_MISO	Ext Con (J3/J4) only
	4	GPIOA9	Connect FT2232H to SPI_MOSI	Ext Con (J3/J4) only
SW2	1	GPIOA4	Connect FT2232H to UART1_TXD	Ext Con (J3/J4) only
	2	GPIOA5	Connect FT2232H to UART1_RXD	Ext Con (J3/J4) only
SW3	1	GPIOA0	Connect FT2232H to SPI_CSB	Ext Con (J3/J4) only
	2	GPIOA1	Connect FT2232H to SPI_CLK	Ext Con (J3/J4) only
	3	GPIOA2	Connect FT2232H to SPI_MISO	Ext Con (J3/J4) only
	4	GPIOA3	Connect FT2232H to SPI_MOSI	Ext Con (J3/J4) only
SW4	1	GPIOA6	WPS	Ext Con (J3/J4) only
	2	GPIOA7	Factory reset	Ext Con (J3/J4) only
SW7	1	UART0_TXD	Connect FT232H to UART0_TXD	NC
	2	UART0_RXD	Connect FT232H to UART0_RXD	NC

The current consumption can be measured at jumper P2 with current measuring equipment. See Section 6.4 for details on how to set up the test. When DA16200 EVK Pro Board is used for

DA16200 DA16600 FreeRTOS Getting Started Guide

measuring current consumption, the P1 jumper must be removed. For more details on the DA16200 EVB, see Ref. [9].

A.3 DA16600 EVB V5.0

Figure 66 shows the hardware configuration of the DA16600 EVB.

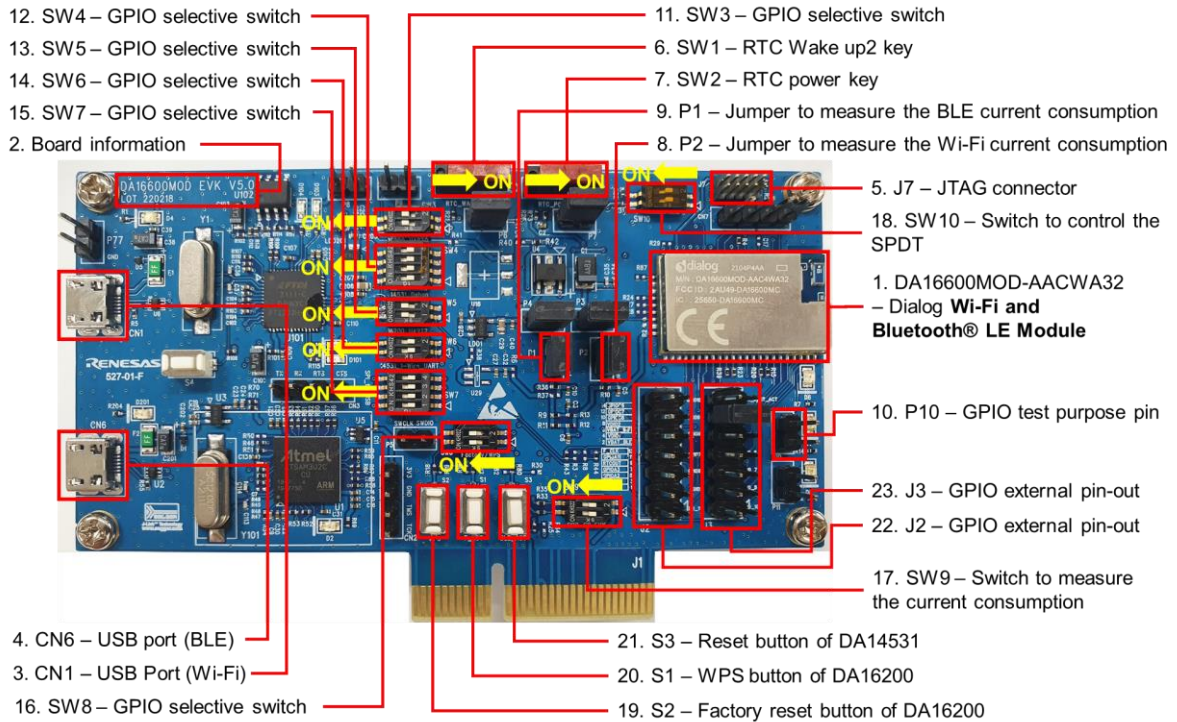
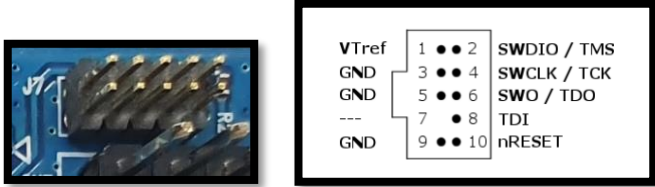


Figure 66: DA16600 EVB Hardware Configuration

DA16600 EVB has the following components:

Table 20: Components on DA16600 EVB

No	Name	Description
1	DA16600MOD-AACWA32	Renesas Wi-Fi and Bluetooth® LE Module
2	Board information	Board version and manufacturing date
3	CN1 – USB Port (Wi-Fi)	Provide UART0 for debug and UART1 for test
4	CN6 – USB Port (BLE)	Connect directly to DA14531 for debug only. Note: Do not use this port during normal operation
5	J7 – JTAG Connector	Connector for IARs I-jet JTAG Debugger  <p>Note: Pin 7 on the I-Jet debugger cable is keyed with a white plug so pin 7 must be removed from the EVB</p>

DA16200 DA16600 FreeRTOS Getting Started Guide

No	Name	Description
6	SW1 – RTC Wake up2 key	Switch to wake up the board from sleep mode
7	SW2 – RTC Power key	Switch to turn the EVB on and off
8	P2 – Jumper to measure current consumption of DA16200	Jumper to measure current used by the Wi-Fi device. For normal operation, this jumper must be shorted
9	P1 – Jumper to measure current consumption of DA14531	Jumper to measure current used by the Bluetooth® LE device. For normal operation, this jumper must be shorted
10	P10 – Jumper to test GPIO	GPIO test pin. Add jumpers from J2/J3 to P10 to control the two LEDs using GPIOs
11	SW3 – GPIO selective Switch	GPIO selection switch, default ON. See Table 21
12	SW4 – GPIO selective Switch	GPIO selection switch, default OFF. See Table 21
13	SW5 – GPIO selective Switch	GPIO selection switch, default ON. See Table 21
14	SW6 – GPIO selective Switch	GPIO selection switch, default OFF. See Table 21
15	SW7 – GPIO selective Switch	GPIO selection switch, default OFF. See Table 21
16	SW8 – GPIO selective Switch	GPIO selection switch, default ON. See Table 21
17	SW9 – Switch to test current consumption	Switch to test current consumption using a pro board kit, default OFF
18	SW10 – Switch to control the SPDT	Switch to control RF switch of DA16600MOD in test mode, default OFF
19	S2 – Factory Reset button	Factory Reset button using GPIOA_7. To enable this button, set Pin 2 of SW4 to ON. Press the button for at least 5 seconds to delete <code>nvsram</code> data and certificates, and perform SW reboot, which will be rebooted in concurrent mode by default
20	S1 – WPS button	WPS button using GPIOA6. To enable this button, set Pin 1 of SW7 to ON and press the button to start WPS mode
21	S3 – DA14351 Reset button	Reset button of DA14531 in test mode
22	J2 – External pin-out	<p>GPIO connector</p>
22	J3 – External pin-out	<p>GPIO connector</p> <p>P0_6 (Pin #11) should be connected to GPIOA9 (Pin #12) or GPIOA10 (Pin #14) externally for BLE-Wi-Fi COEX</p>

DA16200 DA16600 FreeRTOS Getting Started Guide

DA16600 EVB includes several switches, see descriptions for each switch below.

Table 21: DA16600 EVB Switch Description

Switch	Pin	Relevant Pin		ON	OFF	Default
SW3	1	DA16200	UART0_RXD	Connect FT232H to UART0_RXD	NC	ON
	2		UART0_TXD	Connect FT232H to UART0_TXD		
SW4	1	DA14531	P0_8	Connect FT2232H to P0_8 (UART_RXD)	External pin-out (J2/J3) only	OFF
	2		P0_9	Connect FT2232H to P0_9 (UART_TXD)		
	3		P0_2	Enable Keil toolchain debug of DA14531 (SWCLK)		
	4		P0_10	Enable Keil toolchain debug of DA14531 (SWDIO)		
SW5	1	DA16200	GPIOC6	Connect FT2232H to UART2_TXD	External pin-out (J2/J3) only	ON
	2		GPIOC7	Connect FT2232H to UART2_RXD		
SW6	1	DA14531	P0_5	Connect FT2232H to P0_5 (1-wire UART)	External pin-out (J2/J3) only	OFF
	2			Connect FT2232H to P0_5 (1-wire UART)		
SW7	1	DA16200	GPIOA6	Not available on DA16600 EVB V5.0	External pin-out (J2/J3) only	OFF
	2		GPIOA7			
	3		GPIOA8			
	4		GPIOA9			
SW8	1	DA16200	GPIOA6	WPS	External pin-out (J2/J3) only	ON
	2		GPIOA7	Factory reset		
SW9	1	DA16200	Measuring current consumption	Enable to measure current consumption of DA16200 with EVK Pro. Need to remove jumper P2	Normal operation / Need to connect P2	OFF
	2	DA14531	Measuring current consumption	Enable to measure current consumption of DA14531 with EVK Pro. Need to remove jumper P1		
SW10	1	DA14531	P0_6	Manual control of the internal RF SPDT. <ul style="list-style-type: none"> Pin 1 OFF & Pin 2 OFF: internally controlled Pin 1 ON & Pin 2 OFF: DA14531 RF path ON Pin 1 OFF & Pin 2 ON: DA16200 RF path ON 		OFF
	2					

The current consumption can be measured at jumpers P1 and P2 with current measuring equipment. See Section 6.4 for details on the test setup. When DA16600 EVK Pro is used for measuring current consumption, remove jumpers P1 and P2 and set pins 1 and 2 of SW9 to the ON position.

To measure the current consumption of DA16200, remove the jumper on P2 and turn ON pin 1 of SW9. To measure the current consumption of DA14531, remove the jumper on P1 and turn ON pin 2 of SW9. The current consumption of the DA16200 and the DA14531 can be measured simultaneously. For more information on the DA16600 EVB, see Ref. [10].

A.4 DA16600 EVB V4.0

Figure 67 shows the hardware configuration of the DA16600 EVB.

DA16200 DA16600 FreeRTOS Getting Started Guide

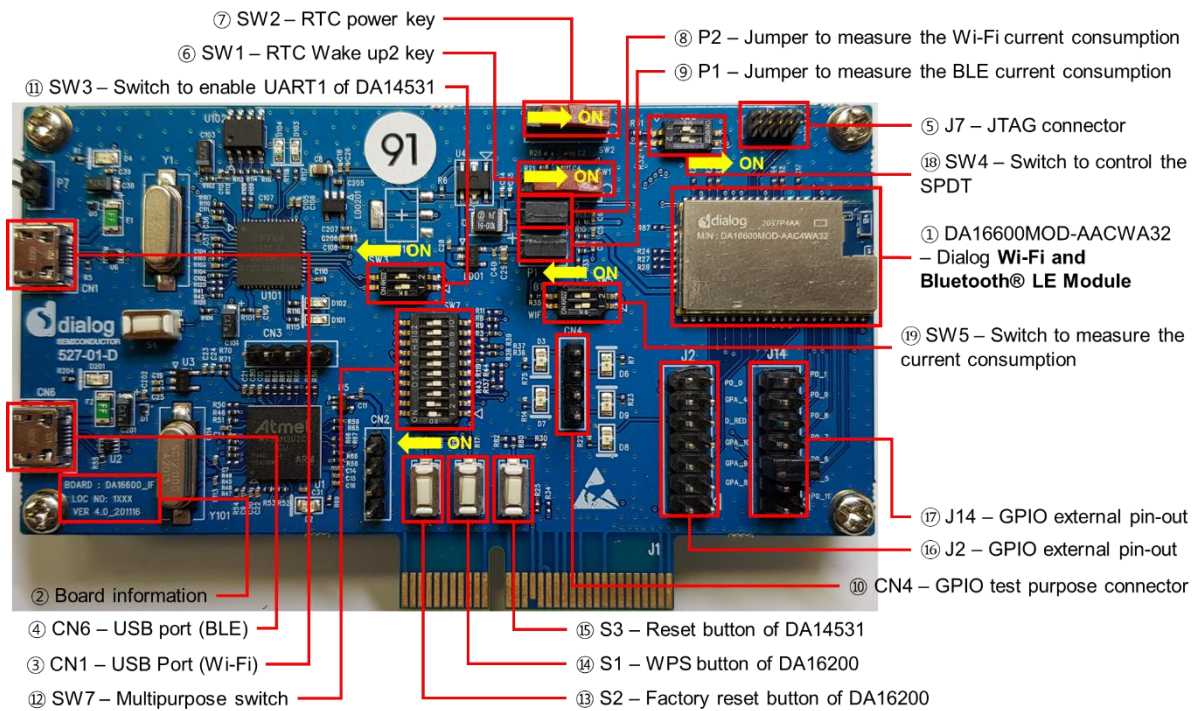


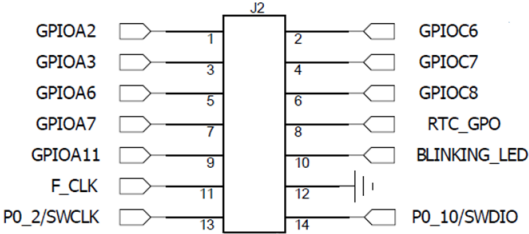
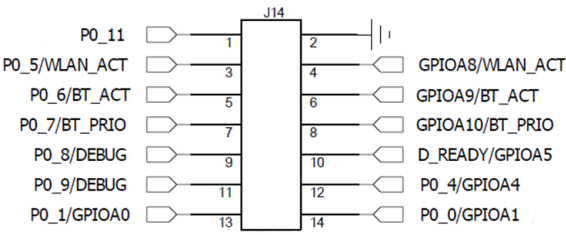
Figure 67: DA16600 EVB V4.0 Hardware Configuration

DA16600 EVB V4.0 has the following components:

Table 22: Components on DA16600 EVB

ID	Name	Description
1	DA16600MOD-AACWA32	Renesas Wi-Fi and Bluetooth® LE Module
2	Board information	Board version and manufacturing date
3	USB Port (Wi-Fi) CN1	Provide UART0 for debug and UART1 for test
4	USB Port (BLE) CN6	Connect directly to DA14531 for debug only. Note: Do not use this port during normal operation
5	JTAG Connector J7	Connector for IARs I-jet JTAG Debugger <div style="text-align: center;"> </div> <p>Note: Pin 7 on the I-Jet debugger cable is keyed with a white plug so pin 7 must be removed from the EVB</p>
6	RTC Wake up2 key SW1	Switch to wake up the board from sleep mode
7	RTC Power key SW2	Switch to turn the EVB on and off
8	Jumper P2	Jumper to measure current used by the Wi-Fi device. For normal operation, this jumper must be shorted
9	Jumper P1	Jumper to measure current used by the Bluetooth® LE device. For normal operation, this jumper must be shorted

DA16200 DA16600 FreeRTOS Getting Started Guide

ID	Name	Description
10	Connector CN4	GPIO test connector. Add jumpers from J2/J4 to CN4 to control the four LEDs using GPIOs
11	Switch SW3	Switch to connect directly to DA14531 and use UART to check Bluetooth® LE performance. Set this switch to off for normal operation
12	Switch SW7	Multipurpose switch. Set this switch to off for normal operation
13	S2 – Factory Reset button	Factory Reset button of DA16200 using GPIO_7. To enable this button, set Pin 2 of SW7 to On
14	S1 – WPS button	WPS button of DA16200 using GPIO_6. To enable this button, set Pin 1 of SW7 to On
15	S3 – DA14351 Reset button	Reset button of DA14531 in test mode
16	Connector J2	GPIO connector 
17	Connector J14	GPIO connector 
18	Switch SW4	Switch to control RF switch of DA16600MOD in test mode
19	Switch SW5	Switch to check current consumption using a power meter kit

DA16600MOD EVB includes several switches, see descriptions for each switch below.

Table 23: Description of Switches

Switch	Pin	Description	Relevant Pin		Default
SW7	1	Connect WPS button S1 to GPIOA6	DA16200	GPIOA6	ON
	2	Connect Factory Reset button S2 to GPIOA7	DA16200	GPIOA7	ON
	3	Enable Keil toolchain debug of DA14531 (SWCLK)	DA14531	PO_2/SWCLK	OFF
	4	Enable Keil toolchain debug of DA14531 (SWDIO)	DA14531	PO_10/SWDIO	OFF
	5	Enable UART debug of DA14531 (UART2 RX)	DA14531	PO_8/DEBUG	OFF
	6	Enable UART debug of DA14531 (UART2 TX)	DA14531	PO_9/DEBUG	OFF
	7	Not used	-	-	OFF
	8	Not used	-	-	OFF

DA16200 DA16600 FreeRTOS Getting Started Guide

Switch	Pin	Description	Relevant Pin		Default
	9	Not used	-	-	OFF
	10	Not used	-	-	OFF
SW3	1	Enable UART1 of DA14531 (1-wire UART)	DA14531	P0_5/WLAN_ACT	OFF
	2	Enable UART1 of DA14531 (1-wire UART)	DA14531	P0_5/WLAN_ACT	OFF
SW4	1	Manual control of the internal RF SPDT. Pin 1 OFF and Pin 2 OFF: internally controlled.	DA14531	P0_6/BT_ACT	OFF
	2	Pin 1 ON and Pin 2 OFF: DA14531 RF path ON Pin 1 OFF and Pin 2 ON: DA16200 RF path ON			OFF
SW5	1	Measure current consumption of DA16200 with DA16600 EVK Pro	-	-	OFF
	2	Measure current consumption of DA14531 with DA16600 EVK Pro	-	-	OFF

The current consumption can be measured at jumpers P1 and P2 with current measuring equipment. See Section 6.4 for details on the test setup. When DA16600 EVK Pro is used for measuring current consumption, remove jumpers P1 and P2 and set pins 1 and 2 of SW5 to the ON position.

To measure the current consumption of DA16200, remove the jumper on P2 and turn ON pin 1 of SW5. To measure the current consumption of DA14531, remove the jumper on P1 and turn ON pin 2 of SW5. The current consumption of the DA16200 and the DA14531 can be measured simultaneously. For more details on the DA16600 EVB, see Ref. [10].

A.5 Configure DA16600 EVB V4.0 to Use AT Commands Using UART2

DA16200 supports AT commands over UART. There are 3 UARTs on the DA16200, and UART2 is available for AT commands as UART0 and UART1 are occupied for other purposes in DA16600. However, manual modifications are required to use AT commands via UART2 because it is not connected FT2232H on EVB v4.0. See the steps below.

A.5.1 Turn Off Switch

P0_5 of DA14531 for 1-wired UART is connected to FT2232H on the EVB. To disconnect the P0_5 from FT2232H, SW3 and 5~8 of SW7 should be turned off. See Figure 68.

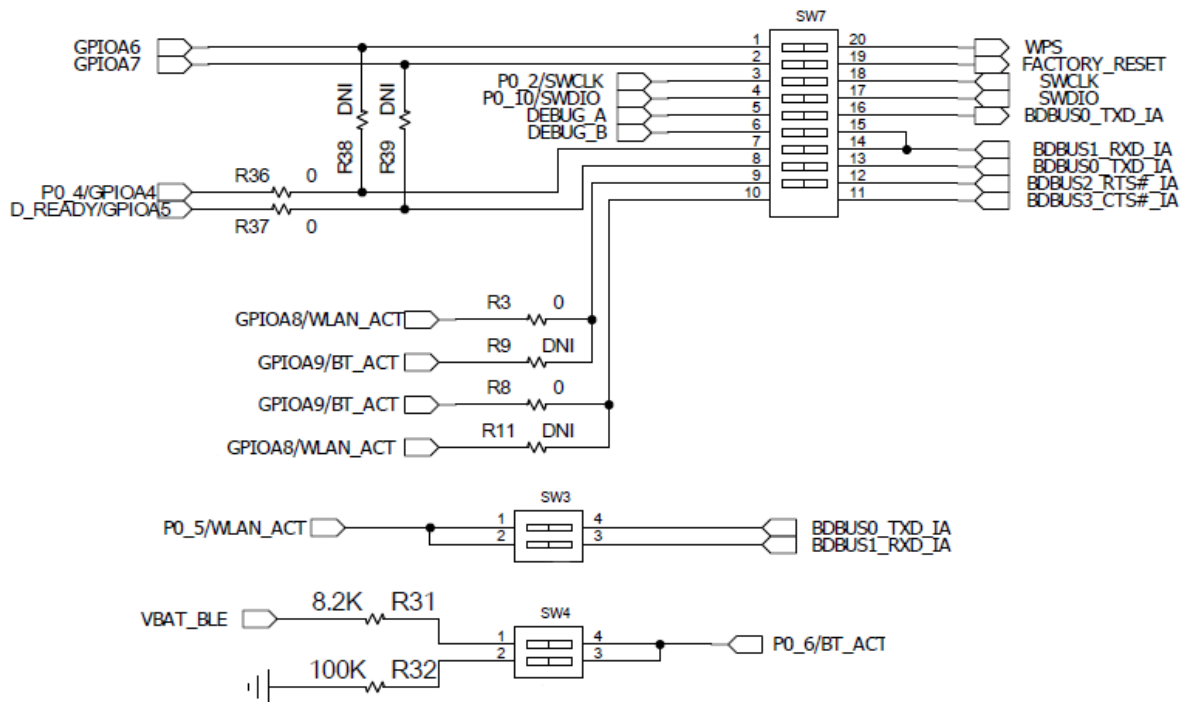


Figure 68: SW3 and SW7 UART1 Connection

A.5.2 Connect UART2 to FT2232H

In the DA16600 firmware image, GPIOC6 and GPIOC7 are set as UART2 for AT commands by default. The GPIOC6 and GPIOC7 are connected with pin 2 and pin 4 of J2 connector, and SW3 is connected with FT2232H. To use AT commands, the two GPIO pins should be connected to FT2232H, therefore connect the wires from SW3 to J2. See Figure 69.

Pin	UART2
TP	
TP	
GPIOA2	
GPIOA3	
TP	
TP	
GPIOA6	
GPIOA7	
GPIOA8	
GPIOA9	
GPIOA10	TXD
GPIOA11	RXD
TCLK/GPIOA15	
TMS	
UART_TXD	
UART_RXD	
GPIOC8	
GPIOC7	RXD
GPIOC6	TXD

Figure 69: Connect UART2 to FT2232H

Figure 70 is a snapshot of EVB v4.0 about the modification and connection.

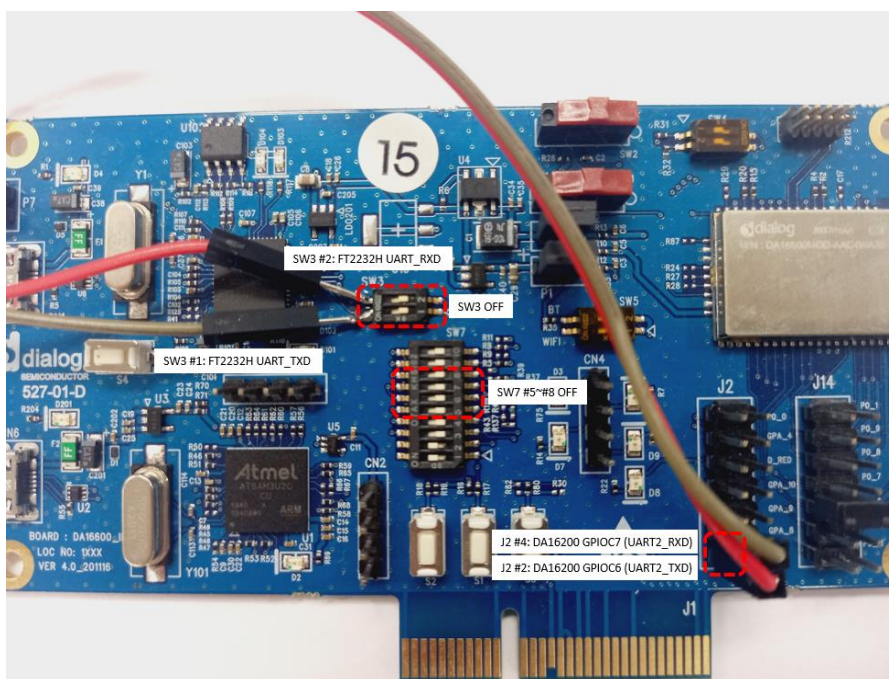


Figure 70: Modification and Connection of EVB V4.0

Appendix B DA16200 Debug Interface Commands

The DA16200 has various console commands to operate its functions. The UART0 interface connects the console with a serial terminal tool. Some commands in the following sections may be disabled according to the SDK's features configuration.

B.1 Console Command

The DA16200 console commands are categorized as follows:

- **root**
 - [/DA16200] #
- **mem**
 - [/DA16200/MEM] #
- **sys**
 - [/DA16200/SYS] #
- **nvr**
 - [/DA16200/NVRAM] #
- **net**
 - [/DA16200/NET] #
- **user**
 - [/DA16200/USER] #

Use command `help` or `?` (Question mark) to list the available commands and options.

There is a function to display the console command history, and up to 5 commands can be saved. Use the following keys and characters to access the history function:

- `↑` or `↓` (arrow key) on your keyboard: show the command history one by one
- `!` (Exclamation mark): view the list of the command history
- `!` (Exclamation mark) + Number: select and execute one previous command in the list

It is possible to move between categories. Use these options:

- `top`: move to the highest-rank, root
- `up`: move to one step upper rank category
- Category command (for example `sys`, `nvr`, `net`): move to the category. To run each command of each category, go to the category first, or prefix the category name to the command as shown in the example:
 - `net`
 - `net.ifconfig`

B.1.1 Root Commands

Table 24: Root Commands

Command	Parameters	Description
<code>help /?</code>	(none)	Display help information for the corresponding category
<code>up</code>	(none)	Move up one rank category
<code>top</code>	(none)	Move to the Root category
<code>factory</code>	(none)	Delete <code>nvr</code> data and certificates, and perform SW reboot.
<code>ps</code>	(none)	Display thread information

DA16200 DA16600 FreeRTOS Getting Started Guide

Command	Parameters	Description
setup	(none)	DA16200 general function setting wizard (Easy Setup). Make step-by-step configuration settings for elements such as SYSMODE, WI-FI, and NETWORK
reboot	(none) [mode]	Reboot por: POR rebooting
reset	(none)	Reset to the Bootloader prompt
ver	(none)	Display SDK version and system information
time	[option]	Display or set the current time. time set [YYYY-MM-DD] [hh:mm:ss]: set date and time time zone [-hh:mm]: set time zone time boot: display booting time time uptime: display booting duration time help: display help
getwlanmac	(none)	Display the MAC address for network interfaces
setwlanmac	[xx:xx:xx:xx:xx:xx xx-xx-xx-xx-xx-xx- xx xxxxxxxxxxxxxx]	Set up the MAC address for network interfaces. For example: setwlanmac aa:bb:cc:00:00:02 aa-bb-cc-00-00-02 aabbcc000002
dpm	[options]	Set DPM condition. on off: DPM feature enabled or disabled status: DPM status print rtm: view DPM backup data rtc: view DPM RTC timer debug [level]: turn DPM debug on / off level = 1(MSG_ERROR), 2(MSG_INFO), 3(MSG_DEBUG), 4(MSG_EXCESSIVE)

B.1.2 Network Commands

To move to the network command category, type the command `net`.

Table 25: Network Commands

Command	Parameter	Description
arp	[interface] [options]	Display the ARP table of a network interface <ul style="list-style-type: none"> • a: display the ARP table of every interface • d: delete all of ARP table Help: Help display
arp send	[interface] [dst ipaddress]	Transmit the ARP request message of the target IP. For example: arp send wlan0 10.0.0.1
garp send	[interface] [option]	Transmit a GARP message with options: <ul style="list-style-type: none"> • 0: normal garp • 1: check IP conflict For example: arp send wlan0
Arping	[interface] [options]	Send ARP ping to target IP. <ul style="list-style-type: none"> • -I [wlan0 wlan1]: Interface name • -n or -c count: Stop after sending count ARP REQUEST

DA16200 DA16600 FreeRTOS Getting Started Guide

Command	Parameter	Description
		<ul style="list-style-type: none"> -w timeout: Specify a timeout, in milliseconds, before arping exists regardless of how many packets have been sent or received. (Min:10 ms) -i interval: Interval in milliseconds to wait for each reply.(MIN:10 ms) For example: arping 172.16.0.1 -n 10 -w 1000 -i 1000
dhcpcd	[interface] [options]	DHCP server setting (Only Soft AP mode) <ul style="list-style-type: none"> boot [on off]: automatic start setting with a certain interface range <Start IP ADDRESS> <END IP Address>: IP lease band setting (max. 10) lease_time <Integer>: lease time setting (min. 60 sec.) dns <IP Address>: lease IP DNS server address setting response_delay <Integer>: time of response delay status: display DHCP server status lease [0 1]: display IP lease table Display tables including un-allotted tables when flag = 1
ifconfig	(none) [interface wlan0 wlan1] [options]	Display or set the basic network setting and status <ul style="list-style-type: none"> ifconfig: display basic network settings information ifconfig -a: display details of all network interfaces ifconfig [wlan0 wlan1]: display details of a network interface ifconfig [wlan0 wlan1] [ipaddress] [subnet] [gateway]: set static IP addresses to a network interface ifconfig [wlan0 wlan1] dhcp: enable/Disable DHCP to a network interface ifconfig [wlan0 wlan1] [up down]: go Up/Down a network interface ifconfig [wlan0 wlan1] [start stop renew release]: DHCP client command ifconfig [wlan0 wlan1] [dns] [DNS ServerIP]: set DNS server address (static IP) to a network interface ifconfig help: display help
ping	-I [interface wlan0 wlan1] [domain ip] -n [count] -l [size] -w [timeout] -i [interval]	Ping test to the target address with a certain option <ul style="list-style-type: none"> [interface wlan0 wlan1]: <ul style="list-style-type: none"> Network interface. With no designated interface, an interface for a subnet band of the same destination IP address is designated [count]: the count of ping tests [size]: the size of data to be transmitted (max.: 10000) [timeout]: waiting time for a response to the transmitted message (min.: 10 ms) [interval]: waiting time for a message transmission (min.: 10 ms) [-6]: ping test with an IPv6 address For example: ping 172.16.0.1 -l 1024 -n 10 -w 1000 -i 1000 ping -6 fe80::1:2 -I wlan0
sntp	[option]	Show or configure for SNTP operation <ul style="list-style-type: none"> status: Show current SNTP configuration enable disable addr [server]: First SNTP server address

DA16200 DA16600 FreeRTOS Getting Started Guide

Command	Parameter	Description
		<ul style="list-style-type: none"> • <code>addr_2 [server]</code>: Second SNTP server address • <code>addr_3 [server]</code>: Third SNTP server address • <code>period [second]</code>: Set SNTP renewal time • <code>sync</code>: Run SNTP sync with current SNTP server
<code>iperf</code>	<code>-I [interface]</code> <code>[-s -c host]</code> <code>[options]</code>	Set up Iperf client/server
<code>mqtt_client</code>	<code>[options]</code>	Run or show the status of the MQTT Client <ul style="list-style-type: none"> • <code>start</code>: start <code>mqtt_client</code> • <code>stop</code>: stop <code>mqtt_client</code> • <code>check</code>: check <code>mqtt_client</code> connection • <code>-m {msg} [topic] publish {msg} with [topic]</code> : if <code>[topic]</code> is not specified the one stored in nvrाम is used • <code>-l</code> : publish long message
<code>cli</code>	<code>[options]</code>	See Section B.2.
<code>debug</code>	<code>[options]</code>	Execute various types of debug commands <ul style="list-style-type: none"> • <code>arp [on off]</code>: arp debug message output on/off • <code>dhcpcd [level]</code>: DHCP server debug level setting (level=0~2 default 0) • <code>dhcpc [level]</code>: DHCP Client debug level setting (level=0~5 default 1) • <code>umac [on off] mask: debug umac 1 0x4</code>
<code>rsssi</code>	<code>[wlan0 wlan1]</code>	Show RSSI value for currently connected interface
<code>Getsysmode</code>	<code>[none]</code>	Show current Wi-Fi operation mode

B.2 CLI Command

B.2.1 Overview

The DA16200 supplicant plays a key role in providing users with Wi-Fi functionality. Major functions include IEEE 802.11 management frame, various security functions (WPA & RSN by IEEE 802.11i) and Command Line Interface (CLI) to control DA16200 Wi-Fi performance. The CLI in DA16200 can execute commands in the network command state.

For example, in Station Mode the network information of DA16200 can be displayed using the `cli status` command while in network command state.

```
[/DA16200] # net                               Switch to network command mode.
      Command-List is changed, "NET"
[/DA16200/NET] # cli status                     Display Network Information.
sta0
mac_address=d4:3d:39:10:a2:48
bssid=80:ca:4b:30:02:0a
ssid=UNet0208
id=0
mode=STATION
key_mgmt=WPA2-PSK
pairwise_cipher=CCMP
group_cipher=CCMP
channel=4
wpa_state=COMPLETED
```


DA16200 DA16600 FreeRTOS Getting Started Guide

B.2.2 CLI Format

There are four CLI formats (Type A~D):

- Read/Write Parameter (Type A)
 - Read: [/DA16200/NET] # cli [CLI]
 - Write: [/DA16200/NET] # cli [CLI] <VALUE>
- Write Only Parameter (Type B)
 - [/DA16200/NET] # cli [CLI] <VALUE> or cli [CLI] <OPTION> <VALUE>
- Read Only Parameter (Type C)
 - [/DA16200/NET] # cli [CLI] or cli [CLI] <OPTION>
- Execution Parameter (Type D)
 - [/DA16200/NET] # cli [CLI] or cli [CLI] < OPTION>

B.2.3 Common Commands

Table 26: CLI Commands in Common Mode

CLI	Parameter	Description
status	(none)	Get the main information on the interface being operated in DA16200. For example: [/DA16200/NET] # cli status
save_config	(none)	Save all parameters modified through CLI in NVRAM. (Saved values become applicable after a reboot) (D) For example: [/DA16200/NET] # cli save_config * Information saved in NVRAM may be inquired with the following command: For example: [/DA16200/NVRAM] # printenv Total length (95) country_code (STR,03) KR SYSMODE (STR,02) 0 0: NETMODE (STR,02) 1 NO_Profile (STR,02) 1 NO_ssid (STR,16) "ACST AC TEST1"
select_network	<mode>	Execute a motion in a certain mode (STA access, AP operation) (D) <ul style="list-style-type: none"> ● <mode> STA: 0 AP: 1 For example: [/DA16200/NET] # cli select_network 0 <ul style="list-style-type: none"> ○ Implement STA access * For a certain mode through the select_network CLI, the following tasks need to be carried out first: <ul style="list-style-type: none"> ○ add_network (profile generation) ○ SSID generation through set_network ○ For AP operation, set up the frequency and country code values with command set_network ○ For Security, generate WPA or WEP key values with command set_network (optional)
add_network	<mode>	Generate a specific mode (STA, AP) Profile (access information table) (D) <mode>: 0(STA) 1(AP) For example: [/DA16200/NET] # cli add_network 1 <ul style="list-style-type: none"> ○ Generate a profile for AP Mode
remove_network	<mode>	Delete a certain mode (STA, AP) profile (D) <mode>: 0(STA) 1(AP)

DA16200 DA16600 FreeRTOS Getting Started Guide

CLI	Parameter	Description
		<p>For example: [/DA16200/NET] # cli remove_network 1</p> <ul style="list-style-type: none"> ○ Delete a profile for AP Mode
set_network	<p><mode> <variable> <value></p>	<p>Set parameter values for a specific mode (STA, AP) (B)</p> <p><mode>: 0(STA) 1(AP)</p> <p><variable>: a specific parameter</p> <ul style="list-style-type: none"> ● ssid: [STA] Operation SSID for AP SSID / [AP] AP interface to be connected ● psk: passphrase or PSK values ● proto: for WPA use, set up the version (<WPA(=WPA1)> <RSN(=WPA2)> <WPA RSN>) ● key_mgmt: key management mode (<NONE> <WPA_PSK> <WPA-EAP>) ● pairwise: unicast data message encryption mode (<TKIP> <CCMP> <TKIP CCMP>) ● group: broadcast data message encryption mode (<TKIP> <CCMP> <TKIP CCMP>) ● wep_key#: WEP key (#:0-3) values ● wep_tx_keyidx: WEP key index to be used ● frequency: [AP] Operation Frequency (MHz) ● mode: Operation Mode <0(STA)> <2(AP)> ● Wi-Fi_mode: <0(BGN)> <1(GN)> <2(BG)> <3(N)> <4(G)> <5(B)> ● beacon_int: [AP] Beacon transport interval ● dtim_period: [AP] DTIM interval ● ap_power: [AP] Output Power (dBm) ● isolate: 'Isolate' Use (<0(off)> <1(on)>) ● -disabled: Prevent automatic profiling on reboot (<0(off)> <1(on)>) <p><value>: settings for a certain variable</p> <p>For example: [/DA16200/NET] # cli set_network 1 ssid 'DA16200_AP'</p> <ul style="list-style-type: none"> ○ For DA16200 AP operation, SSID= DA16200_AP setting <p>For example: [/DA16200/NET] # cli set_network 1 beacon_int 200</p> <ul style="list-style-type: none"> ○ For DA16200 AP operation, Beacon interval 20 ms setting <p>For example: [/DA16200/NET] # cli set_network 0 key_mgmt WPA_PSK</p> <ul style="list-style-type: none"> ○ For DA16200 STA operation, access in the WPA PSK security mode <p>* A profile needs to be generated with command add_network so that a profile can be set with command set_network (with no profile, 'FAIL')</p>
get_network	<p><mode> <variable></p>	<p>Get specific parameter values for a specific mode (STA, AP) (C)</p> <p><mode>: 0(STA) 1(AP)</p> <p><variable>: a specific parameter</p> <p>For example: [/DA16200/NET] # cli set_network 0 ssid</p> <ul style="list-style-type: none"> ○ Inquiry of an object subject to DA16200 STA access ("TEST_BED_AP") <p>For example: [/DA16200/NET] # cli set_network 1 psk</p> <ul style="list-style-type: none"> ○ For DA16200 AP operation, inquiry of the PSK password setting
country	<p><value></p>	<p>Set a country related to channel operation (A)</p> <p><value>: Country Code that meets ISO 3166-1 alpha-2 standards</p> <p>Default: KR</p> <p>For example: [/DA16200/NET] # cli country US</p> <ul style="list-style-type: none"> ○ Set the Country Code to US <p>For example: [/DA16200/NET] # cli country</p>

DA16200 DA16600 FreeRTOS Getting Started Guide

CLI	Parameter	Description
		<ul style="list-style-type: none"> ○ KR
flush	(none)	For every interface (STA, AP), DA16200 deletes the Profile and closes DA16200 service operation (D)

B.2.4 STA Commands

Table 27: CLI Commands on STA Mode

Command	Parameters	Description
scan	(none) or <freq>	Active scanning (Probe Request Broadcast) (D). For <freq> inputs, it is possible to scan APs of a certain frequency range (MHz) only (optional). For example: [/DA16200/NET] # cli scan <ul style="list-style-type: none"> ○ Scans all channels that correspond to the current country setting
disconnect	(none)	Disconnect the accessed AP (D) For example: [/DA16200/NET] # cli disconnect <ul style="list-style-type: none"> ○ OK (With no AP being accessed, 'FAIL')
roam	(none) or <oper>	Roaming On/Off and Roaming status inquiry (A) <oper> run: On stop: Off Default: Roaming Off For example: [/DA16200/NET] # cli roam <ul style="list-style-type: none"> ○ Roaming=STOP, Threshold=-65 ○ Usage: cli roam [run/stop] For example: [/DA16200/NET] # cli roam stop <ul style="list-style-type: none"> ○ Roaming function-off
roam_threshold	<value>	Roaming triggering RSSI value (dBm) setting (B) <value>: Roaming threshold RSSI (dBm) Default: -65 (dBm) For example: [/DA16200/NET] # cli roam_threshold -85 <ul style="list-style-type: none"> ○ Set the roaming threshold to -85 dBm

B.2.5 Soft AP Commands

Table 28: CLI Commands on Soft AP Mode

Command	Parameter	Description
ap	<option>	AP interface beginning/closing/restarting (Applicable with no reboot after main info. modification of AP interface SSID, PSK) (D) <option>: start stop restart For example: [/DA16200/NET] # cli ap start <ul style="list-style-type: none"> ○ AP interface initiating (If it is being operated, 'FAIL') For example: [/DA16200/NET] # cli ap stop <ul style="list-style-type: none"> ○ AP interface closing (If not being operated, 'FAIL') For example: [/DA16200/NET] # cli set_network 1 ssid 'DA16200_AP2' For example: [/DA16200/NET] # cli ap restart <ul style="list-style-type: none"> ○ Modify SSID of the interface of AP being operated For example: [/DA16200/NET] # cli set_network 1 pairwise TKIP For example: [/DA16200/NET] # cli ap restart

DA16200 DA16600 FreeRTOS Getting Started Guide

Command	Parameter	Description
		<ul style="list-style-type: none"> ○ Modify the AP interface encryption mode to TKIP
ap_chan_switch	<Ch.>	<p>Modify the AP interface operation channel (B)</p> <p><Ch.>: AP operation channel (1~13) or frequency (MHz)</p> <p>For example: [/DA16200/NET] # cli ap_chan_switch 3</p> <ul style="list-style-type: none"> ○ Modify the AP interface channel to 3 (242 MHz) <p>For example: [/DA16200/NET] # cli ap_chan_switch 11 2462</p> <ul style="list-style-type: none"> ○ Modify the AP interface channel to 11 (2462 MHz)
ap_status	(none)	<p>Get the main information about the interface in DA16200 (C)</p> <p>For example:</p> <pre>[/DA16200/NET] # cli ap_status state=ENABLED phy=fc9k_phy0 freq=2472 num_sta_non_exp=0 num_sta_no_short_slot_time=0 num_sta_no_short_preamble=0 olbc=0 num_sta_ht_no_gf=0 num_sta_no_ht=0 num_sta_ht_20_mhz=0 num_sta_ht40_intolerant=0 olbc_ht=0 ht_op_mode=0x0 cac_time_seconds=0 cac_time_l</pre>
all_sta	(none)	<p>Output the list information of STA being accessed to the AP interface (C)</p> <p>For example:</p> <pre>[/DA16200/NET] # cli all_sta 50:77:05:DB:C4:3E flags=[AUTH] [ASSOC] [AUTHORIZED] [SHORT_PREAMBLE] [WMM] aid=1 capability=0x431 listen_interval=10 mode = 802.11n timeout_next=0 rx_packets=632 tx_packets=9 rx_bytes=67451 tx_bytes=4767 connected_time=77 sta_count=1</pre>
deauthenticate	<addr>	<p>The deauthenticate message is transmitted to the access STA with a certain MAC address to cancel the access (D).</p> <p><addr>: MAC address of the access STA</p> <p>For example: [/DA16200/NET] # cli deauthenticate aa:ff:01:00:00:00</p> <ul style="list-style-type: none"> ○ Transmit the de-authentication message to STA whose MAC address is AA:FF:01:00:00:00
disassociate	<addr>	<p>The disassociation message is transmitted to the access STA with a certain MAC address to cancel the access (D).</p> <p><addr>: MAC address of the access STA</p> <p>For example: [/DA16200/NET] # cli disassociate aa:ff:01:00:00:00</p>

DA16200 DA16600 FreeRTOS Getting Started Guide

Command	Parameter	Description
		<ul style="list-style-type: none"> Transmit the disassociation message to STA whose MAC address is AA:FF:01:00:00:00
wmm_enabled	<value>	<p>WMM function availability setting and inquiry (A)</p> <p><value>: On: 1 Off: 0</p> <p>Default: Off</p> <p>For example: [/DA16200/NET] # cli wmm_enabled 1</p> <ul style="list-style-type: none"> Use the WMM function
wmm_ps_enabled	<value>	<p>WMM-PS function availability setting and inquiry (A)</p> <p><value>: On: 1 Off: 0</p> <p>Default: Off</p> <p>For example: [/DA16200/NET] # cli wmm_ps_enabled 1</p> <ul style="list-style-type: none"> Use the WMM-PS function
wmm_params	<target> <category> <AIFS> <CWmin> <CWmax> <Burst (AP) or TxOP Limit (STA) >	<p>Set up details of DA16200 AP or STA's certain category WMM parameters (B).</p> <p><target>: ap sta</p> <p><category>: be(best-effort) bk(background) vi(video) vo(voice)</p> <p>For example: [/DA16200/NET] # cli wmm_params ap be 3 15 63 10</p> <ul style="list-style-type: none"> For WMM AP's best-effort category, AIFS=3, CWmin=15, CWmax=63, and Burst=10 <p>For example: [/DA16200/NET] # cli wmm_params sta vo 4 7 15 60</p> <ul style="list-style-type: none"> For WMM STA's voice category, AIFS=4, CWmin=7, CWmax=15, TXOP_Limit=60
all_wmm	(none)	<p>Inquiry of all parameters that can be set up by means of wmm_params CLI (C).</p> <p>For example: [/DA16200/NET] # cli all_wmm</p>
acl_mac	<addr>	<p>Add the MAC address to the Access Control Management List (B.)</p> <p><addr>: AP MAC Address</p> <p>For example: [/DA16200/NET] # cli acl_mac AA:FF:01:00:00:06</p> <ul style="list-style-type: none"> Add MAC address AA:FF:01:00:00:06 to ACL
Acl	<oper> <addr>	<p>Set up, delete, or inquire the use of ACL (A).</p> <p><oper>: allow deny clear delete (If none, inquire of it)</p> <p><addr>: AP MAC Address (only when oper="delete")</p> <p>[/DA16200/NET] # cli acl [allow/deny/clear/delete mac_address]</p> <p>For example: [/DA16200/NET] # cli acl</p> <p>For example: [/DA16200/NET] # cli acl allow</p> <ul style="list-style-type: none"> Access allowed only for AP Lists in ACL <p>For example: [/DA16200/NET] # cli acl deny</p> <ul style="list-style-type: none"> Access denied only for AP Lists in ACL <p>For example: [/DA16200/NET] # cli acl clear</p> <ul style="list-style-type: none"> Entire ACL clear <p>For example: [/DA16200/NET] # cli delete aa:ff:01:00:00:08</p> <ul style="list-style-type: none"> Delete AA:FF:01:00:00:08 from ACL

DA16200 DA16600 FreeRTOS Getting Started Guide

Command	Parameter	Description
ap_max_inactivity	<value>	<p>If there is no data frame exchange of accessed STA during the time setting, disconnect the STA (A).</p> <p><value>: inactivity timeout (sec)</p> <p>Default: 300 (sec.)</p> <p>For example: [/DA16200/NET] # cli ap_max_inactivity 600</p> <ul style="list-style-type: none"> ○ Disconnect the access STA with no data frame exchange for 600 seconds <p>For example: [/DA16200/NET] # cli ap_max_inactivity 0</p> <ul style="list-style-type: none"> ○ Uncheck data frame exchange of the accessed STA <p>For example: [/DA16200/NET] # cli ap_max_inactivity</p> <ul style="list-style-type: none"> ○ Read ap_max_inactivity value
ap_send_ka	<value>	<p>A function to send 'keep-alive' NULL packets to the accessed STA every 30 seconds and check ACK receipts (A).</p> <p><value>: On: 1 Off: 0</p> <ul style="list-style-type: none"> ● On: if the STA accessed to DA16200 AP interface is out of coverage or closed abnormally, disconnection occurs after the 'ap_max_inactivity timeout' passes ● Off: if there is no constant data frame exchange with the STA accessed to DA16200 AP interface for ap_max_inactivity timeout, then disconnect. <p>Default: 0 (not used)</p> <p>For example: [/DA16200/NET] # cli ap_send_ka 1</p> <ul style="list-style-type: none"> ○ ap_send_ka=1
ap_rts	<value>	<p>For AP mode operation, set up the RTS Threshold value to be used (A).</p> <p><value>: The standard for a size of packets that use the RTS Control Frame (bytes)</p> <p>Default: 2437 (bytes)</p> <p>For example: [/DA16200/NET] # cli ap_rts 1000</p> <ul style="list-style-type: none"> ○ Use RTS for transmission of 1000 bytes or larger frames ○ ap_rts=1000 <p>For example: [/DA16200/NET] # cli ap_rts</p> <ul style="list-style-type: none"> ○ ap_rts=2437
greenfield	<value>	<p>Enable/Disable use of Greenfield.</p> <p><value>: On: 1 Off: 0</p> <p>If Greenfield is on, DA16200 uses 11n HT mode only. In that case, 11b, 11g info. and STA access are not allowed.</p> <p>Default: 0 (not used)</p> <p>For example: [/DA16200/NET] # cli greenfield 1</p> <ul style="list-style-type: none"> ○ Use the Greenfield function ○ greenfield=1 <p>For example: [/DA16200/NET] # cli greenfield</p> <ul style="list-style-type: none"> ○ greenfield=0

DA16200 DA16600 FreeRTOS Getting Started Guide

B.2.6 Advanced Commands

Table 29: Advanced CLI Commands

Command	Parameters	Description
wps_pbc	(none)	Run WPS Push Button Configuration (PBC)
wps_pin	<pin>	Run WPS PIN method <pin> pin code (any: generate a random code) For example: [/DA16200/NET] # cli wps_pin 27833513 For example: [/DA16200/NET] # cli wps_pin any

B.3 MROM Command

B.3.1 Common Commands

Table 30: Common Commands in MROM

Command	Parameters	Description
!	(none)	None
reboot	(none) [mode]	Reboot por: POR rebooting
reset	(none)	Reset to the Bootloader prompt
ver	(none)	Display version of MaskRom
help /?	(none)	Display help information for the corresponding category
boot	[address]	Booting address: booting address

B.3.2 Memory Access Commands

Table 31: Memory Access Commands in MROM

Command	Parameters	Description
brd	[addr] [length]	Byte read memory
bwr	[addr] [data] [length]	Byte write memory
wrd	[addr] [length]	Word read memory
wwr	[addr] [data] [length]	Word write memory
lrd	[addr] [length]	Long read memory
lwr	[addr] [data] [length]	Long write memory

B.3.3 Download Commands

Table 32: Download Commands in MROM

Command	Parameters	Description
loady	[addr] [sector_size] [format] boot	Download image to SFLASH boot : '0' address
ymodem	[addr] [size] sfdp	Download image to RAM sfdp : download sfdp to 0xf80040 (retention memory)

DA16200 DA16600 FreeRTOS Getting Started Guide

B.3.4 SFLASH Commands

Table 33: SFLASH Commands in MROM

Command	Parameters	Description
sflash	[op] [start] [length]	SFLASH access <ul style="list-style-type: none"> op: read, write, erase, info start: start address (not required for the info) length: length (not required for the info)

NOTE

Operators not listed in the description such as reset, unlock, lock, and verify are for only internal test purpose.

B.3.5 Secure Commands

Table 34: Secure Commands in MROM

Command	Parameters	Description
sbrom	[target] [bootaddress] [debug]	Secure boot command <ul style="list-style-type: none"> target: sflash boot address: 0 (boot) or a000 (rtos) debug: anything
socid	(none)	Display socid (secure soc id)

B.3.6 Additional Commands

Table 35: Additional Commands in MROM

Command	Parameters	Description
bmcfg	[op] [bootmode]	Boot mode config Not used
oops	[op] [value]...	Oops configuration Not used
dbgt	[op] [op] [value0]...	Debug mode configuration Not used
floady	[addr] [sector_size] [format] [boot]	Fast download image to sflash Not used
rs485	[offset] [id]	Download image with rs485 Not used
clock	[new clock]	System clock setting
setsfl	[mode]	Select sflash Mode : 0 (stacked sflash), 1 (external sflash) Used '1' only

DA16200 DA16600 FreeRTOS Getting Started Guide

Appendix C SDK Memory Maps

This section describes the memory maps for the external SFLASH device and the internal SRAM, and how to change the SFLASH device and adjust the SRAM memory map used in the SDK.

The DA16200/DA16600 SDK provides two types of memory maps: an external SFLASH device and an internal 512 kB SRAM.

NOTE
See the table of Recommended Serial Flash List in Ref. [11] for compatible FLASH with DA16200/DA16600.

C.1 SFLASH Memory Map

The DA16200/DA16600 FreeRTOS SDK has 4 MB SFLASH map by default.

C.1.1 DA16200

Table 36: 4 MB SFLASH Map for DA16200

Address	Name	Size (kB)
0x0000_0000	2 nd Bootloader	136
0x0002_2000	Boot Index	4
0x0002_3000	RTOS #0	1788
0x001E_2000	RTOS #1	1788
0x003A_1000	Reserved Area	4
0x003A_2000	Debug/RMA Certificate	4
0x003A_3000	TLS Certificate #0 (MQTT)	CA
0x003A_4000		Cert
0x003A_5000		Private key
0x003A_6000		Diffie-Hellmann key
0x003A_7000	TLS Certificate #1 (HTTPs / OTA)	CA
0x003A_8000		Cert
0x003A_9000		Private key
0x003A_A000		Diffie-Hellmann key
0x003A_B000	NVRAM #0	4
0x003A_C000	NVRAM #1 (Backup)	4
0x003A_D000	User Area	256
0x003E_D000	TLS Certificate Key #2 (WPA Enterprise)	CA
0x003E_E000		Cert
0x003E_F000		Private
0x003F_0000		Diffie-Hellmann key
0x003F_1000	TLS Certificate Key #3 (Reserved)	CA
0x003F_2000		Certificate
0x003F_3000		Private Key
0x003F_4000		Diffie-Hellmann key
0x003F_5000	NVRAM FOOTPRINT	4
0x003F_6000	AT-CMD TLS Certificate Key #0 ~ #9 (*)	40

NOTE
See the Secure Socket Command section of Ref. [5] for usage of “AT-CMD TLS Certificate Key #0 ~ #9” area.

C.1.2 DA16600

Table 37: 4 MB SFLASH Map for DA16600

Address	Name	Size (kB)
0x0000_0000	2 nd Bootloader	136
0x0002_2000	Boot Index	4

DA16200 DA16600 FreeRTOS Getting Started Guide

Address	Name	Size (kB)
0x0002_3000	RTOS #0	1788
0x001E_2000	RTOS #1	1788
0x003A_1000	Reserved Area	4
0x003A_2000	Debug/RMA Certificate	4
0x003A_3000	TLS Certificate #0 (MQTT)	CA
0x003A_4000		Cert
0x003A_5000		Private key
0x003A_6000		Diffie-Hellmann key
0x003A_7000	TLS Certificate #1 (HTTPs / OTA)	CA
0x003A_8000		Cert
0x003A_9000		Private key
0x003A_A000		Diffie-Hellmann key
0x003A_B000	NVRAM #0	4
0x003A_C000	NVRAM #1 (Backup)	4
0x003A_D000	Bluetooth® LE Firmware area (Depends on BLE_IMG_SIZE, default: 64 kB)	64 ~ 80
0x003B_D000 or 0x003C_1000	Bluetooth® LE Security DB area (Depends on __MULTI_BONDING_SUPPORT__, default: 0 kB)	0 or 4
0x003B_D000 ~ 0x003C_2000	User Area (Start address: 0x003B_D000, default: 192 kB)	172 ~ 192
0x003E_D000	TLS Certificate Key #2 (WPA Enterprise)	CA
0x003E_E000		Cert
0x003E_F000		Private
0x003F_0000		Diffie-Hellmann key
0x003F_1000	TLS Certificate Key #3 (Reserved)	CA
0x003F_2000		Certificate
0x003F_3000		Private Key
0x003F_4000	Diffie-Hellmann key	4
0x003F_5000	NVRAM FOOTPRINT	4
0x003F_6000	AT-CMD TLS Certificate Key #0 ~ #9 (*)	40

NOTE

See Ref. [5] for usage of “AT-CMD TLS Certificate Key #0 ~ #9” area.

The DA16200/DA16600 SDK contains a script to automatically select the SFLASH type. See Section 5.5.2 on how the SFLASH is selected in e²studio.

To change the SFLASH type without using the script, go to the <sdk_root_directory>/tools/SBOOT/config directory and copy the da16xtpmconfig.cfg.xxxx (4 MB) file that matches the SFLASH device that is being used and copy it to da16xtpmconfig.cfg.

C.2 SRAM Memory Map

In the FreeRTOS SDK, the overall memory map is organized as shown in Figure 71.

DA16200 DA16600 FreeRTOS Getting Started Guide

0x0008_0000	System Area (DMA Area / ISR Vector / ...)
0x0008_7000	System Area (IPD)
0x0008_B800	Text Code (RAM Resident)
0x0008_FE00	Data Area
0x0009_13F8	BSS Area
0x000B_2F80	RTOS Heap
0x000F_DF80	

Figure 71: System Memory Map

Appendix D Troubleshooting

D.1 Boot Failure

During the development process, there may be times when there is an error in the code or a problem programming the firmware which can cause the DA16200/DA16600 to fail to boot properly.

This may happen because the Serial Flash Discoverable Parameters (SFDP) which are stored in Retention Memory become corrupt or erased. The DA16200/DA16600 requires the SFDP for the SFLASH to operate properly. The SFDP parameters are included in the FBOOT firmware image and can be recovered by programming the firmware again.

D.1.1 Check SFDP

Switch to [MROM] mode and use the `brd f80000 100` command to check if the SFDP information.

```
[/DA16200] # brd f80000 100

[00F80000] : 00 00 00 01 FF FF FF FF FF FF FF FF 00 00 00 40      .....@
[00F80010] : A1 00 91 FC 00 00 00 00 00 00 00 00 00 00 00 00      .....
[00F80020] : 0B 00 00 00 C0 D4 01 80 00 00 00 00 89 34 6F 93      .....4o.
[00F80030] : 00 00 00 00 00 00 00 00 00 00 00 00 00 00 01 64      .....d
[00F80040] : 53 46 44 50 15 16 60 EF 00 00 40 00 F5 20 F1 FF      SFDP..`...@. . .
[00F80050] : FF FF FF 01 44 EB 08 6B 08 3B 04 BB EE FF FF FF      ....D..k.f.....
[00F80060] : FF FF 00 FF FF FF 44 EB 0C 20 0F 52 10 D8 00 FF      .....D. .R....
[00F80070] : 11 34 1E F3 83 3A 00 CC CC 43 1C 62 7A 75 7A 75      .4.....C.bzuzu
[00F80080] : 07 CD D5 5C 42 00 EF 40 FF 7F 00 01 07 02 36 39      ... \B..@.....69
[00F80090] : 3C FF E1 E0 FF 00 00 00 32 68 68 68 32 64 00 04      <.....2hhh2d..
[00F800A0] : 00 04 00 00 00 00 00 90 9F AB 5A 05 01 04 06      .....Z....
[00F800B0] : 50 66 99 00 00 B9 AB 38 FF B7 E9 00 00 02 32 00      Pf.....8.....2.
[00F800C0] : 02 32 00 20 00 0B 60 35 00 00 00 00 00 00 00 00      .2. .^5.....
[00F800D0] : 00 00 00 00 28 50 78 A0 40 40 40 80 00 00 00 00      .... (Px.@@.....
[00F800E0] : 00 00 00 00 FF FF FF FF FF FF FF FF FF FF FF FF      .....
[00F800F0] : AD B6 F3 D8 00 00 00 00 00 00 00 00 00 00 00 00      .....

[/DA16200] #
```

If the SFDP information is not similar to the one above, then both of FBOOT and FRTOS image must be programmed again without reset and reboot.

D.1.2 Recovery from Unresponsive Boot

If the DA16200/DA16600 does not boot and the serial command interface is unresponsive, then access can be recovered by following steps:

1. Copy `uart_program_da16200` to the folder which has FBOOT and FRTOS images.
2. Power off the DA16200/DA16600.
3. Run the `uart_program_da16200` and select **number** in list of serial interfaces.
4. Input `emode`.
5. Follow the instructions from `uart_program_da16200`.
6. Confirm the devices enter MROM state.
7. Then the FBOOT and FRTOS images can be programmed manually as follows.
8. Input `dload`.
9. Input **address** for FBOOT image (default address: 0).
10. Select **number** of FBOOT image in lists which shows all images in the folder.
11. Programming is done automatically.
12. Input **y** for more programming.
13. Input **address** for FRTOS image (default address of FRTOS #0: 23000, see [C.1.1](#) or [C.1.2](#)).
14. Select **number** of FRTOS image in lists which shows all images in the folder.
15. Programming is done automatically.
16. Input **n** because no more programming is required.

DA16200 DA16600 FreeRTOS Getting Started Guide

17. Input **reboot** and confirm the programmed image works.

```
d:\download>uart_program_da16200.exe
uart_program_da16200 Version 1.0.5
0. COM75 - USB Serial Port (COM75)
1. COM76 - USB Serial Port (COM76)
Please enter a number from the list of your COM port and click Enter.
--> 0
Selected COM port = COM75 - USB Serial Port (COM75)
Entering console mode...
Ready for console mode. Input anything.

2023-07-31 16:49:42.644:[/DA16200] # emode
Entering emergency mode...
Confirm turn off device. Then enter Y and click Enter.
y
Turn on device within 5 sec.
Entering console mode...
Ready for console mode. Input anything.

2023-07-31 16:50:02.527:
2023-07-31 16:50:02.527:No such command - type help
2023-07-31 16:50:03.033:[MROM] dload
2023-07-31 16:50:13.519:[MROM]
2023-07-31 16:50:14.030:[MROM] Please enter address (0 ~ 3FF000) and click Enter: 0
0. da14531_multi_part_proxr.img
1. DA16200_FBOOT-GEN01-01-c7f4c6cc22_W25Q32JW.img
2. DA16200_FRTOS-GEN01-01-c4ca8087e8-006537.img
Please enter a file name or number in list, and click Enter: 1
Entering download mode...
2023-07-31 16:50:48.824 Ready for download.
Download file 1: DA16200_FBOOT-GEN01-01-c7f4c6cc22_W25Q32JW.img : 100.00% : 8.08s
2023-07-31 16:50:58.033 Done successfully.
Will you continue to download? y or n: y
Please enter address (0 ~ 3FF000) and click Enter: 23000
0. da14531_multi_part_proxr.img
1. DA16200_FBOOT-GEN01-01-c7f4c6cc22_W25Q32JW.img
2. DA16200_FRTOS-GEN01-01-c4ca8087e8-006537.img
Please enter a file name or number from the list, and click Enter: 2
Entering download mode...
2023-07-31 16:54:14.624 Ready for download.
Download file 1: DA16200_FRTOS-GEN01-01-c4ca8087e8-006537.img : 100.00% : 72.76s
2023-07-31 16:55:28.515 Done successfully.
Will you continue to download? y or n: n
Entering console mode...
Ready for console mode. Input anything.

[MROM] reboot
reboot
Wakeup source is 0x4
[dpm_init_retmemory] DPM INIT CONFIGURATION(1)

*****
*                               DA16200 SDK Information                               *
* -----*
*
* - CPU Type           : Cortex-M4 (120 MHz)
* - OS Type            : FreeRTOS 10.4.3
* - Serial Flash       : 4 MB
* - SDK Version        : V3.2.8.0 GEN
* - F/W Version        : FRTOS-GEN01-01-c4ca8087e8-006537
* - F/W Build Time     : Jul 31 2023 14:07:09
* - Boot Index         : 0
*
*****

System Mode : Station Only (0)
>>> Start DA16X Supplicant ...
>>> DA16x Supp Ver2.7 - 2022_03
>>> MAC address (sta0) : d4:3d:39:11:34:fc
>>> sta0 interface add OK
>>> Start STA mode...
RTC switched to XTAL
>>> Hello World #1 ( Non network dependent application ) !!!
```

NOTE

Do not reset or power on/off the board between the FBOOT and FRTOS image programming. It causes the programming failure.

Appendix E Country Codes

Table 38: Country Codes

Code	Country	Code	Country	Code	Country	Code	Country
AD	Andorra	EC	Ecuador	LC	Saint Lucia	RE	Reunion
AE	United Arab Emirates	EE	Estonia	LI	Liechtenstein	RO	Romania
AF	Afghanistan	EG	Egypt	LK	Sri Lanka	RS	Serbia
AI	Anguilla	ES	Spain	LS	Lesotho	RU	Russia
AL	Albania	ET	Ethiopia	LT	Lithuania	RW	Rwanda
AM	Armenia	EU	Europe	LU	Luxembourg	SA	Saudi
AR	Argentina	FI	Finland	LV	Latvia	SE	Sweden
AS	Samoa	FM	Micronesia	MA	Morocco	SG	Singapore
AT	Austria	FR	France	MC	Monaco	SI	Slovenia
AU	Australia	GA	Gabon	MD	Moldova	SK	Slovakia
AW	Aruba	GB	United Kingdom	ME	Montenegro	SN	Senegal
AZ	Azerbaijan	GD	Grenada	MF	Saint Martin	SR	Suriname
BA	Bosnia	GE	Georgia	MH	Marshall Islands	SV	El Salvador
BB	Barbados	GF	French Guiana	MK	Macedonia	SY	Syria
BD	Bangladesh	GH	Ghana	MN	Mongolia	TC	Turks Caicos
BE	Belgium	GL	Greenland	MO	Macao	TD	Chad
BF	Burkina Faso	GP	Guadeloupe	MP	Northern Mariana Islands	TG	Togo
BG	Bulgaria	GR	Greece	MQ	Martinique	TH	Thailand
BH	Bahrain	GT	Guatemala	MR	Mauritania	TN	Tunisia
BL	Barthelemy	GU	Guam	MT	Malta	TR	Turkey
BM	Bermuda	GY	Guyana	MU	Mauritius	TT	Trinidad and Tobago
BN	Brunei	HK	Hong Kong	MV	Maldives	TW	Taiwan
BO	Bolivia	HN	Honduras	MW	Malawi	TZ	Tanzania
BR	Brazil	HR	Croatia	MX	Mexico	UA	Ukraine
BS	Bahamas	HT	Haiti	MY	Malaysia	UG	Uganda
BT	Bhutan	HU	Hungary	NG	Nigeria	UK	United Kingdom
BY	Belarus	ID	Indonesia	NI	Nicaragua	US	USA
BZ	Belize	IE	Ireland	NL	Netherlands	UY	Uruguay
CA	Canada	IL	Israel	NO	Norway	UZ	Uzbekistan
CF	Central Africa	IN	India	NP	Nepal	VA	Vatican City

DA16200 DA16600 FreeRTOS Getting Started Guide

Code	Country	Code	Country	Code	Country	Code	Country
CH	Switzerland	IR	Iran	NZ	New Zealand	VC	St. Vincent and Grenadines
CI	Ivory Coast	IS	Iceland	OM	Oman	VE	Venezuela
CL	Chile	IT	Italy	PA	Panama	VI	Virgin Islands, US
CN	China	JM	Jamaica	PE	Peru	VN	Vietnam
CO	Colombia	JO	Jordan	PF	Polynesia	VU	Vanuatu
CR	Costa Rica	JP	Japan	PG	Papua New Guinea	WF	Wallis and Futuna Islands
CU	Cuba	KE	Kenya	PH	Philippines	WS	Samoa
CX	Christmas Island	KH	Cambodia	PK	Pakistan	YE	Yemen
CY	Cyprus	KN	St. Kitts and Nevis	PL	Poland	YT	Mayotte
CZ	Czech	KP	N.Korea	PM	St. Pierre and Miquelon	ZA	S.Africa
DE	Germany	KR	S.Korea	PR	Puerto Rico	ZW	Zimbabwe
DK	Denmark	KW	Kuwait	PT	Portugal	ALL	ALL
DM	Dominica	KY	Cayman Islands	PW	Palau		
DO	Dominican Rep	KZ	Kazakhstan	PY	Paraguay		
DZ	Algeria	LB	Lebanon	QA	Qatar		

Revision History

Revision	Date	Description
2.0	May 29, 2024	<ul style="list-style-type: none"> Updated factory reset button and command related description Changed Bluetooth image folder name to DA14531_P (FROM DA14531_1) Simplified the note in Appendix C.1 regarding recommended serial flash list
1.9	Apr. 05, 2024	<ul style="list-style-type: none"> Added Appendix A.5 Configure DA16600 EVB V4.0 to Use AT command via UART2 Added descriptions in Connect J-Link section Updated the description of SFLASH Commands in MROM table
1.8	Aug. 18, 2023	<ul style="list-style-type: none"> Changed IDE to e²studio in the section of Software Development Updated how to program the firmware image in section of Using uart_program_da16200 in Console Terminal Updated recovering way in the section of Troubleshooting Updated how to measure current in each mode in the section of Current Measurement Updated descriptions about DPM mode in the section of DPM Setup Changed 'DPM sleep' to 'DPM low power'
1.7	June 30, 2023	<ul style="list-style-type: none"> Fixed the title of section DA16600 EVB V5.0 Updated the reference section
1.6	Mar. 16, 2023	Changed Windows build tools version
1.5	Jan. 12, 2023	<ul style="list-style-type: none"> Added installation using batch/shell script Changed location of firmware image files in the section of Importing DA16200 FreeRTOS SDK Project into e²studio Added build configuration (Release/Debug) in the section of Build Configurations Added how to move project location in the section of Installing e²studio IDE Added Current Measurements from UM-WI-040 to the section of Test Setup with EVK PRO Board
1.4	Oct. 25, 2022	Added description of project presentation option in section 5.7
1.3	June 14, 2022	<ul style="list-style-type: none"> Updated console commands in Appendix B.1.1 and B.1.2 Updated SFLASH memory map in Appendix C.2 Updated J-Link section
1.2	Apr. 11, 2022	<ul style="list-style-type: none"> Updated logo, disclaimer, copyright Added link to J-Link/J-Trace User Guide (UM08001) in Section 5.6
1.1	Nov. 29, 2021	Title changed
1.0	Oct. 27, 2021	First Release

DA16200 DA16600 FreeRTOS Getting Started Guide**Status Definitions**

Status	Definition
DRAFT	The content of this document is under review and subject to formal approval, which may result in modifications or additions.
APPROVED or unmarked	The content of this document has been approved for publication.

RoHS Compliance

Renesas Electronics' suppliers certify that its products are in compliance with the requirements of Directive 2011/65/EU of the European Parliament on the restriction of the use of certain hazardous substances in electrical and electronic equipment. RoHS certificates from our suppliers are available on request.

DA16200 DA16600 FreeRTOS Getting Started Guide

Important Notice and Disclaimer

RENESAS ELECTRONICS CORPORATION AND ITS SUBSIDIARIES ("RENESAS") PROVIDES TECHNICAL SPECIFICATIONS AND RELIABILITY DATA (INCLUDING DATASHEETS), DESIGN RESOURCES (INCLUDING REFERENCE DESIGNS), APPLICATION OR OTHER DESIGN ADVICE, WEB TOOLS, SAFETY INFORMATION, AND OTHER RESOURCES "AS IS" AND WITH ALL FAULTS, AND DISCLAIMS ALL WARRANTIES, EXPRESS OR IMPLIED, INCLUDING, WITHOUT LIMITATION, ANY IMPLIED WARRANTIES OF MERCHANTABILITY, FITNESS FOR A PARTICULAR PURPOSE, OR NON-INFRINGEMENT OF THIRD PARTY INTELLECTUAL PROPERTY RIGHTS.

These resources are intended for developers skilled in the art designing with Renesas products. You are solely responsible for (1) selecting the appropriate products for your application, (2) designing, validating, and testing your application, and (3) ensuring your application meets applicable standards, and any other safety, security, or other requirements. These resources are subject to change without notice. Renesas grants you permission to use these resources only for development of an application that uses Renesas products. Other reproduction or use of these resources is strictly prohibited. No license is granted to any other Renesas intellectual property or to any third party intellectual property. Renesas disclaims responsibility for, and you will fully indemnify Renesas and its representatives against, any claims, damages, costs, losses, or liabilities arising out of your use of these resources. Renesas' products are provided only subject to Renesas' Terms and Conditions of Sale or other applicable terms agreed to in writing. No use of any Renesas resources expands or otherwise alters any applicable warranties or warranty disclaimers for these products.

Corporate Headquarters

TOYOSU FORESIA, 3-2-24 Toyosu

Koto-ku, Tokyo 135-0061, Japan

www.renesas.com

Contact Information

For further information on a product, technology, the most up-to-date version of a document, or your nearest sales office, please visit:

<https://www.renesas.com/contact/>

Trademarks

Renesas and the Renesas logo are trademarks of Renesas Electronics Corporation. All trademarks and registered trademarks are the property of their respective owners.