

IDT 5P49V5908 EVM BOARD

REV : 1

PAGE 01 : TITLE_PAGE

PAGE 02 : 5P49V5908 CONNECTION

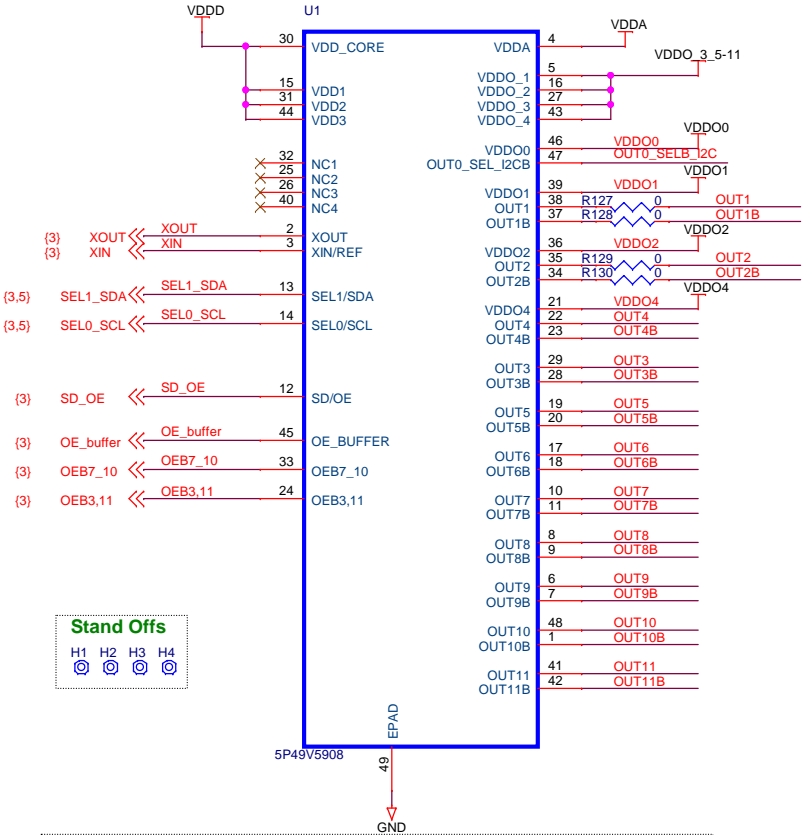
PAGE 03 : VC5

PAGE 04 : POWER CONNECTION

PAGE 05 : I2CMODULE

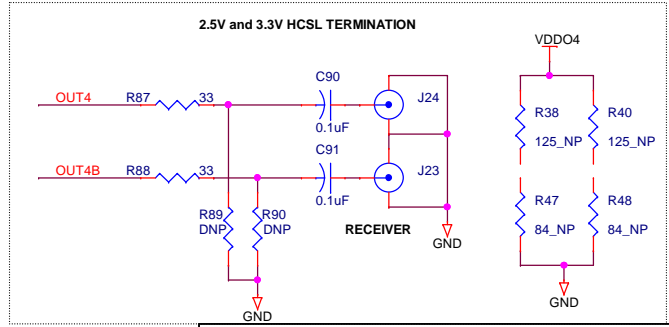
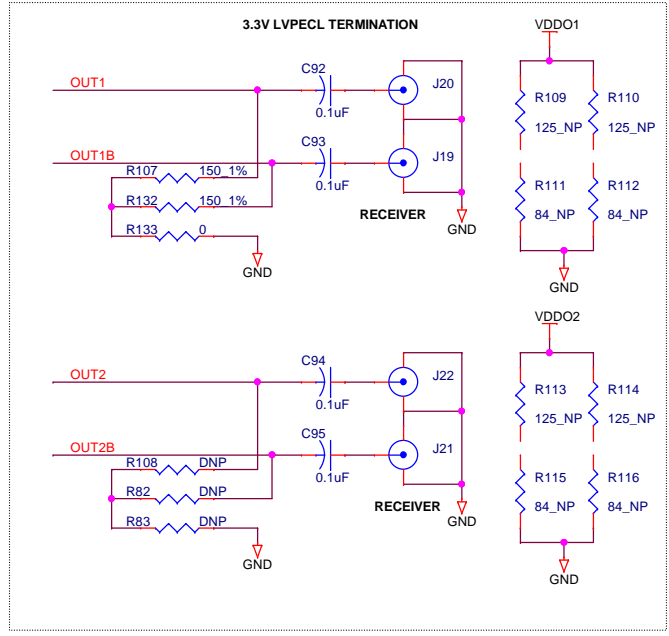
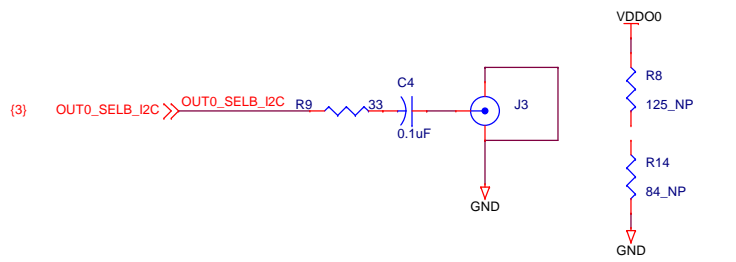
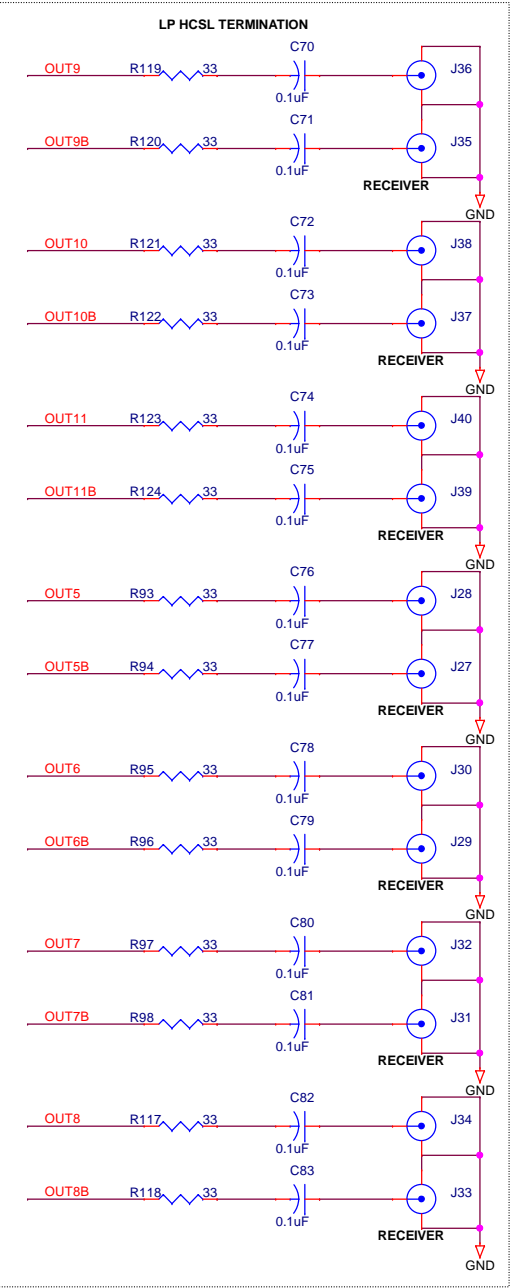
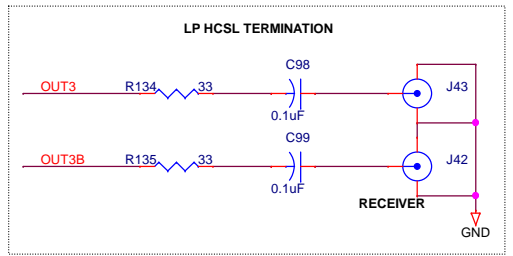
Title		
IDT_5P49V5908 EVM_BOARD_REV1		
Size	Document Number	Rev
B	305-PD-15-0209	1
Date:	Friday, May 22, 2015	Sheet 1 of 5

5P49V5908 CONNECTIONS

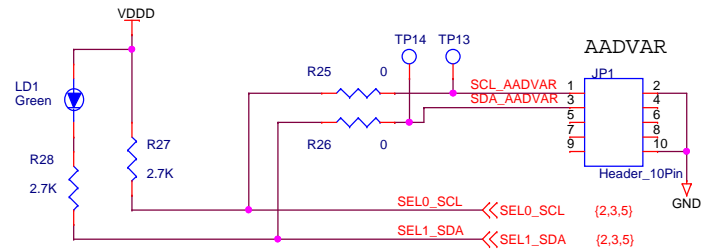
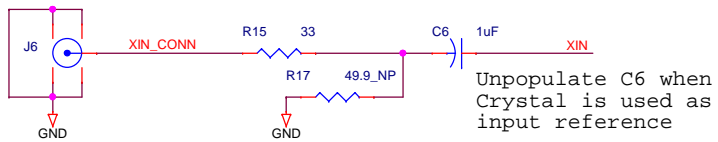
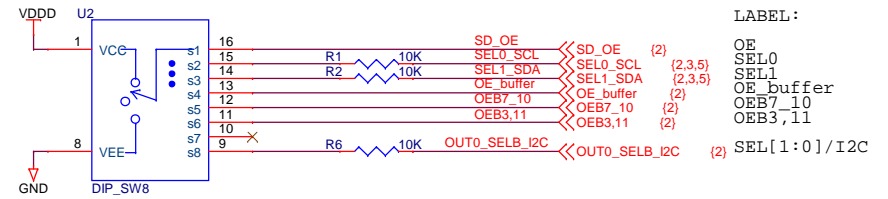
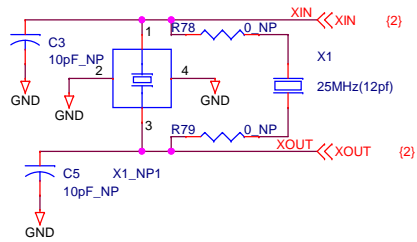


Place 33 OHM Resistors Close to Main Device For LP HCSSL TERMINATION
Place AC Coupling Capacitors Close to SMA

Place R87 & R88 33 OHM Resistors Close to Main Device For HCSSL TERMINATION
R89 & R90 Should Closer to the SMA

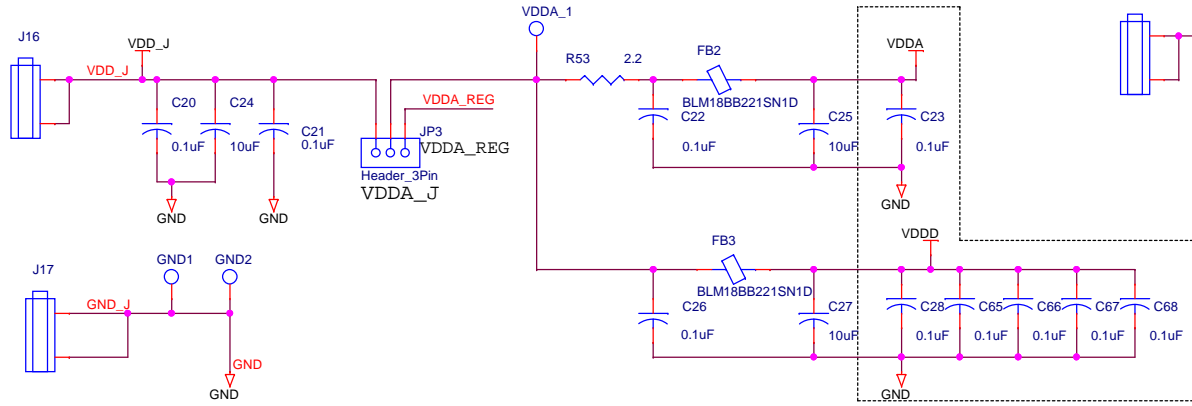


Title		
IDT_5P49V5908 EVM_BOARD_REV1		
Size	Document Number	Rev
B	305-PD-15-0209	1
Date:	Friday, May 22, 2015	Sheet 2 of 5

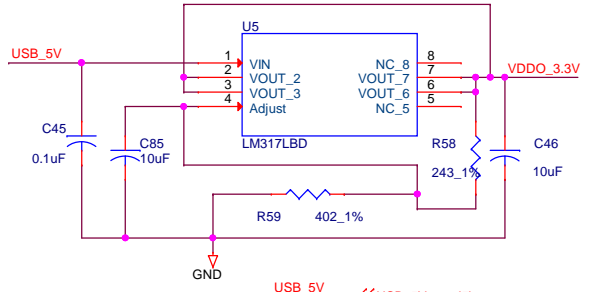
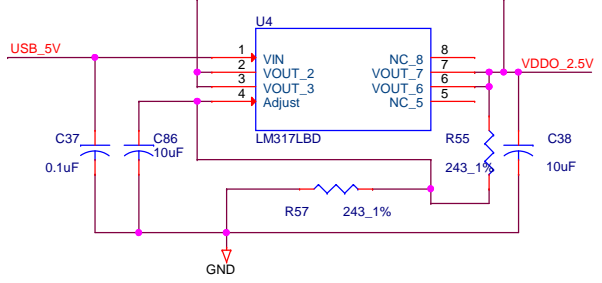
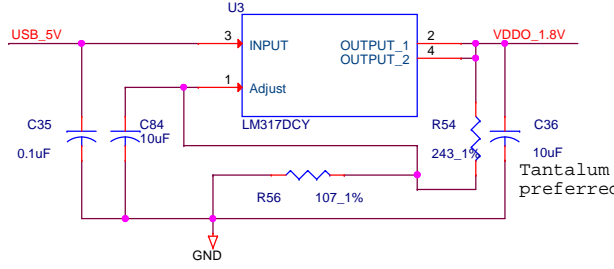


Title		
IDT_5P49V5908 EVM_BOARD_REV1		
Size	Document Number	Rev
B	305-PD-15-0209	1
Date:	Friday, May 22, 2015	Sheet 3 of 5

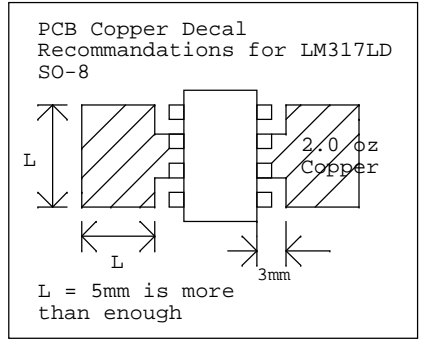
LABEL AS INDICATED FOR 3-PIN HEADERS



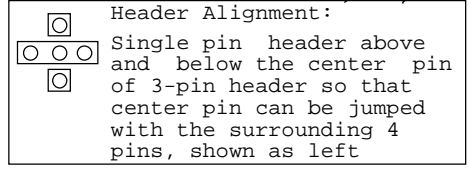
Locate near DUT power pin



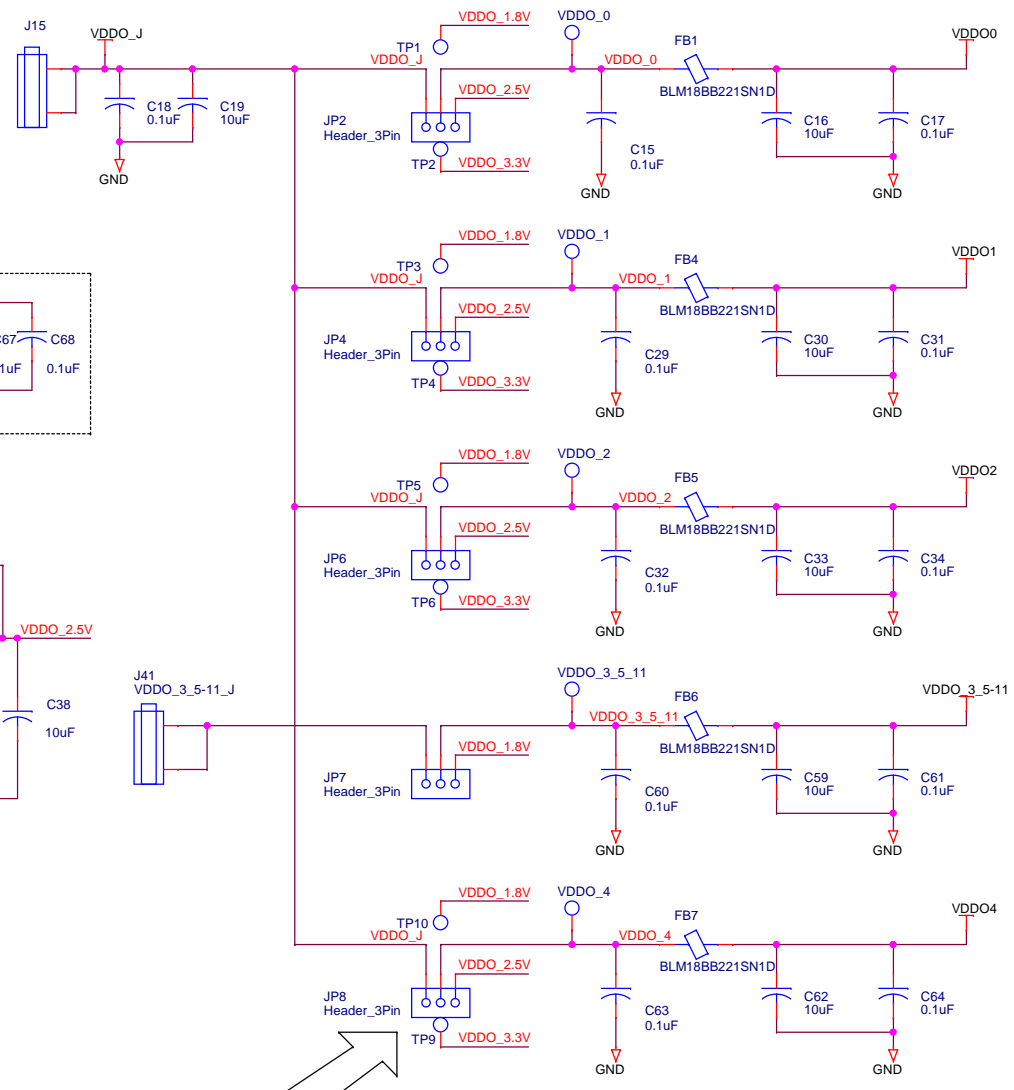
USB_5V << USB_5V (5)
VDDA_REG << VDDA_REG (5)



L = 5mm is more than enough



LABEL ON EACH RESPECTIVE PIN OF HEADERS: 1.8V, 2.5V, 3.3V



Title		
IDT_5P49V5908 EVM_BOARD_REV1		
Size B	Document Number	Rev 1
	305-PD-15-0209	
Date:	Friday, May 22, 2015	Sheet 4 of 5

