

REVISIONS

DCN	REV	DESCRIPTION	DATE	CHANGE BY
	1.0	INITIAL RELEASE	2009-12-05	T. TRAN

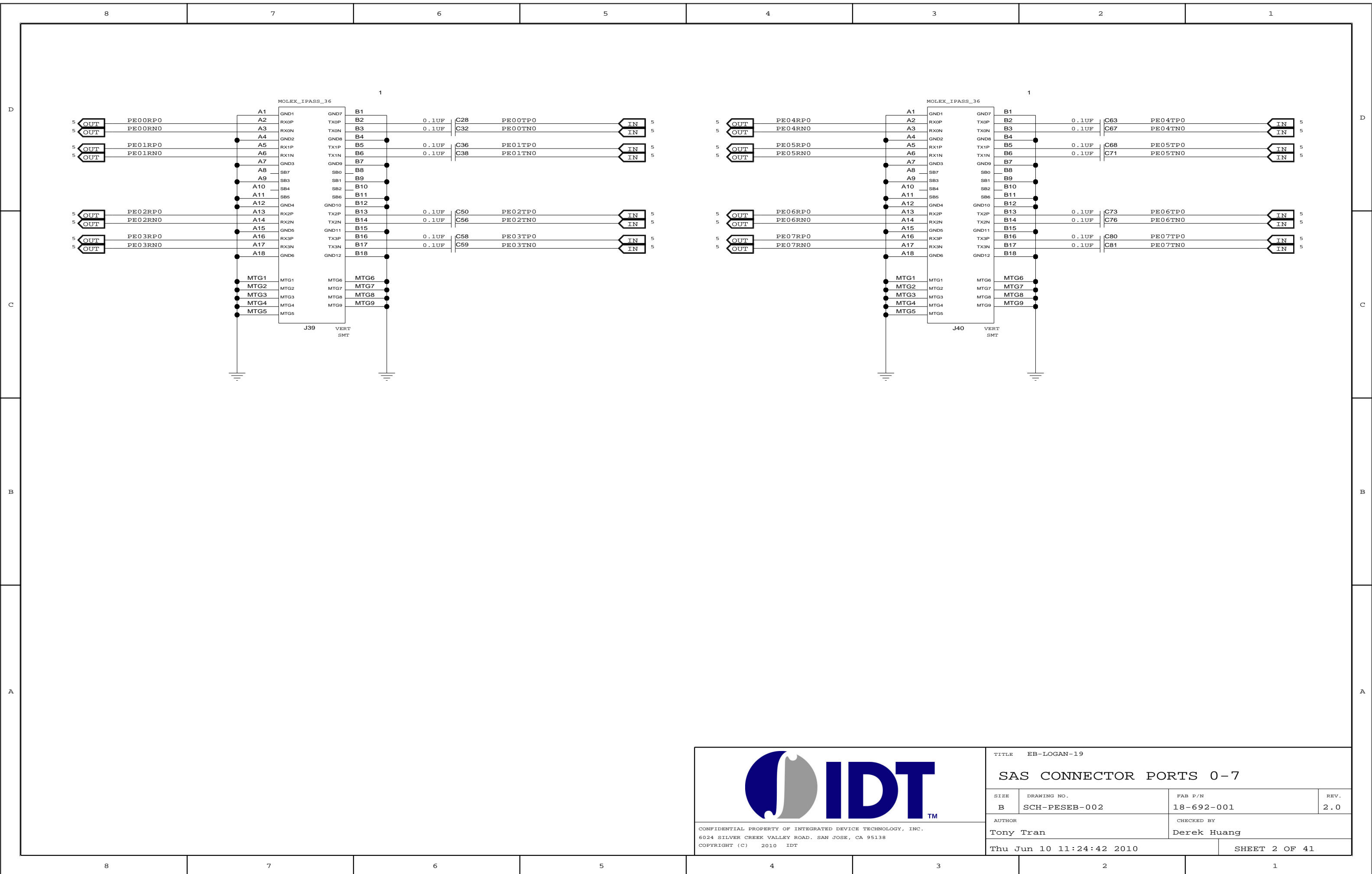
1. TITLE PAGE / TABLE OF CONTENTS


- | | |
|---------------------------------------|--|
| 2. SAS CONNECTOR PORTS 0-7 | 22. POWER CONNECTORS, MIN LOAD RESISTORS |
| 3. MEZZANINE CONNECTOR PORTS 8, 12 | 23. POWER REGULATOR - VDDIO |
| 4. MEZZANINE CONNECTOR PORTS 16, 20 | 24. POWER REGULATOR - VDDCORE |
| 5. 24NT24G2 - SERDES | 25. POWER REGULATOR - VDDPEA |
| 6. 24NT24G2 - CLK, CONFIG, GPIO | 26. POWER REGULATOR - VDDPEHA |
| 7. 24NT24G2 - POWER, GND | 27. POWER REGULATOR - VDDPETA |
| 8. IOEXPANDER 0-3 | 28. RESET, SMBUS, EEPROM, JTAG |
| 9. IOEXPANDER 4-7 | 29. DIP SWITCHES |
| 10. IOEXPANDER 8-11 | 30. LED - PORT STATUS (1 OF 7) |
| 11. IOEXPANDER 12-13 | 31. LED - PORT STATUS (2 OF 7) |
| 12. IOEXPANDER 16-19 | 32. LED - PORT STATUS (3 OF 7) |
| 13. IOEXPANDER 20-21 | 33. LED - PORT STATUS (4 OF 7) |
| 14. HOT PLUG CONTROL PORTS 8-12 | 34. LED - PORT STATUS (5 OF 7) |
| 15. HOT PLUG CONTROL PORTS 16-20 | 35. LED - PORT STATUS (6 OF 7) |
| 16. SLOT RESETS AND WAKE PULL-UPS | 36. LED - PORT STATUS (7 OF 7) |
| 17. CLOCK | 37. 12PK RIBBON CONNECTORS |
| 18. CLOCK BUFFER | 38. PARTITION RESET SELECT HEADERS |
| 19. CLOCK SELECTOR - DUT PCLK 8 | 39. SLOT RESET SELECT HEADERS |
| 20. CLOCK SELECTOR - DUT PCLK 16 | 40. PORT 8 CLOCK GENERATOR |
| 21. CLOCK SELECTOR - SLOTS 0-20, GCLK | 41. PORT 16 CLOCK GENERATOR |



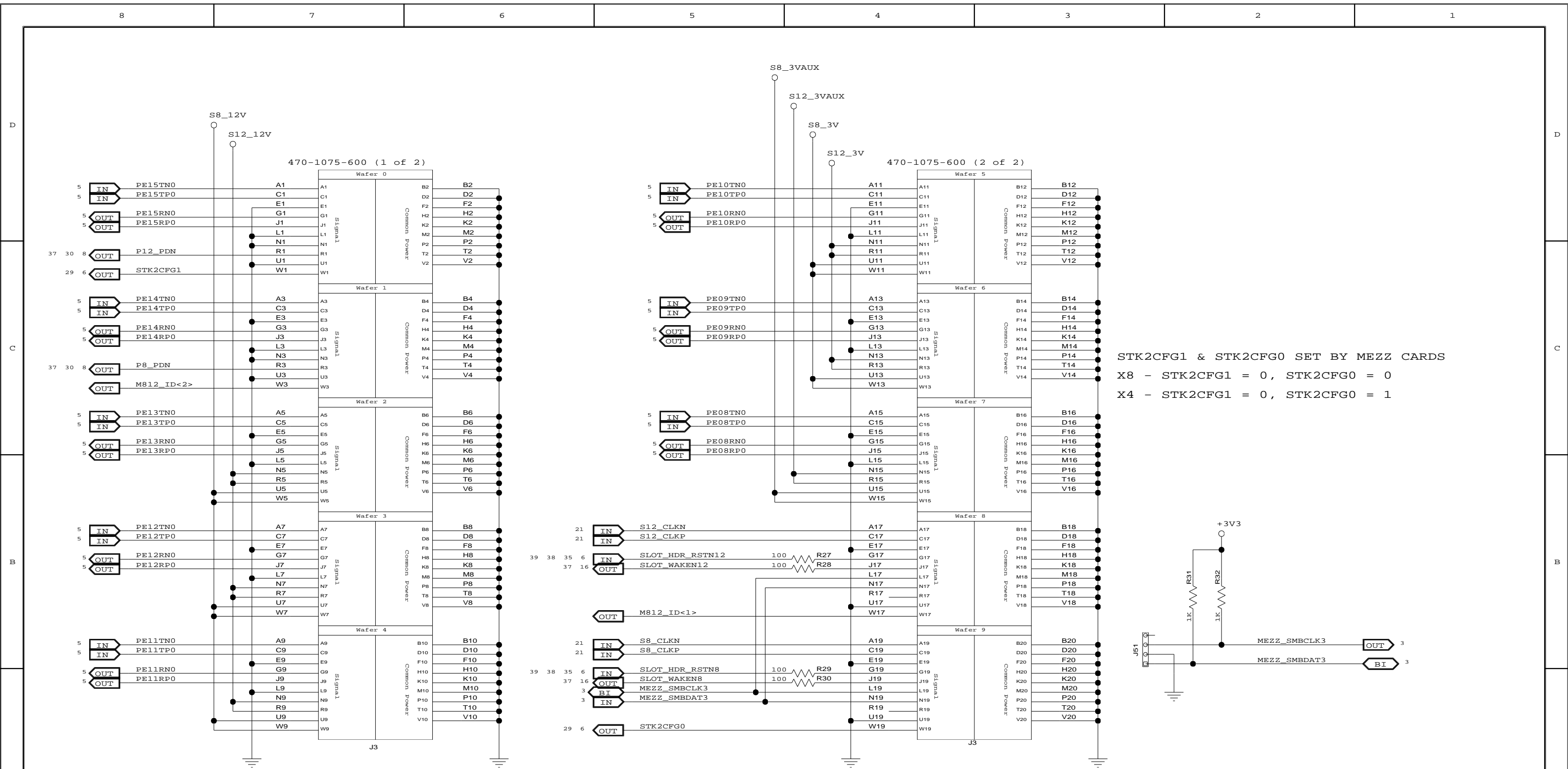
CONFIDENTIAL PROPERTY OF INTEGRATED DEVICE TECHNOLOGY, INC.
 6024 SILVER CREEK VALLEY RD. SAN JOSE, CA 95138
 COPYRIGHT (C) 2010

TITLE EB-LOGAN-19			
SIZE B	DRAWING NO. SCH-PESEB-002	FAB P/N 18-692-001	REV. 2.0
AUTHOR Tony Tran		CHECKED BY Derek Huang	
Thu Jun 10 11:24:42 2010			SHEET 1 OF 41

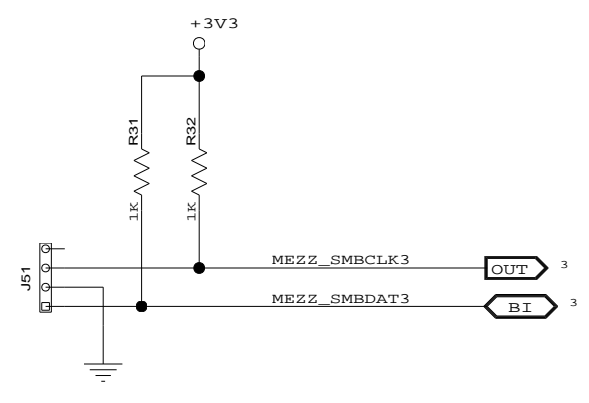


		TITLE EB-LOGAN-19		
		SAS CONNECTOR PORTS 0-7		
SIZE	DRAWING NO.	FAB P/N	REV.	
B	SCH-PESEB-002	18-692-001	2.0	
AUTHOR		CHECKED BY		
Tony Tran		Derek Huang		
Thu Jun 10 11:24:42 2010			SHEET 2 OF 41	

CONFIDENTIAL PROPERTY OF INTEGRATED DEVICE TECHNOLOGY, INC.
 6024 SILVER CREEK VALLEY ROAD. SAN JOSE, CA 95138
 COPYRIGHT (C) 2010 IDT



STK2CFG1 & STK2CFG0 SET BY MEZZ CARDS
 X8 - STK2CFG1 = 0, STK2CFG0 = 0
 X4 - STK2CFG1 = 0, STK2CFG0 = 1

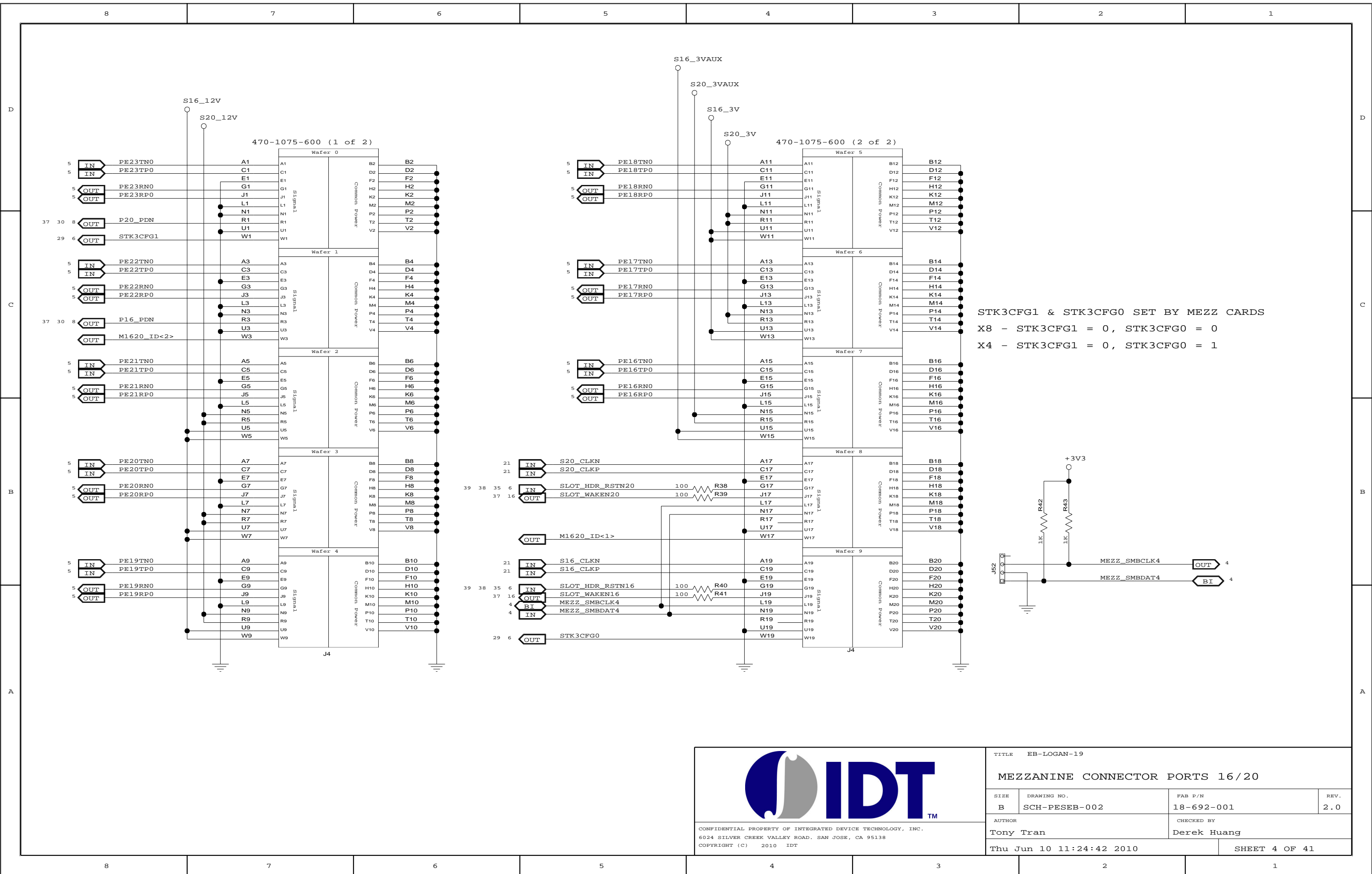


CONFIDENTIAL PROPERTY OF INTEGRATED DEVICE TECHNOLOGY, INC.
 6024 SILVER CREEK VALLEY ROAD, SAN JOSE, CA 95138
 COPYRIGHT (C) 2010 IDT

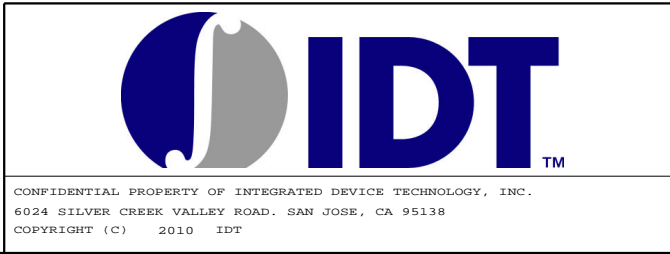
TITLE EB-LOGAN-19			
MEZZANINE CONNECTOR PORTS 8/12			
SIZE B	DRAWING NO. SCH-PESEB-002	FAB P/N 18-692-001	REV. 2.0
AUTHOR Tony Tran		CHECKED BY Derek Huang	
Thu Jun 10 11:24:42 2010			SHEET 3 OF 41

8 7 6 5 4 3 2 1

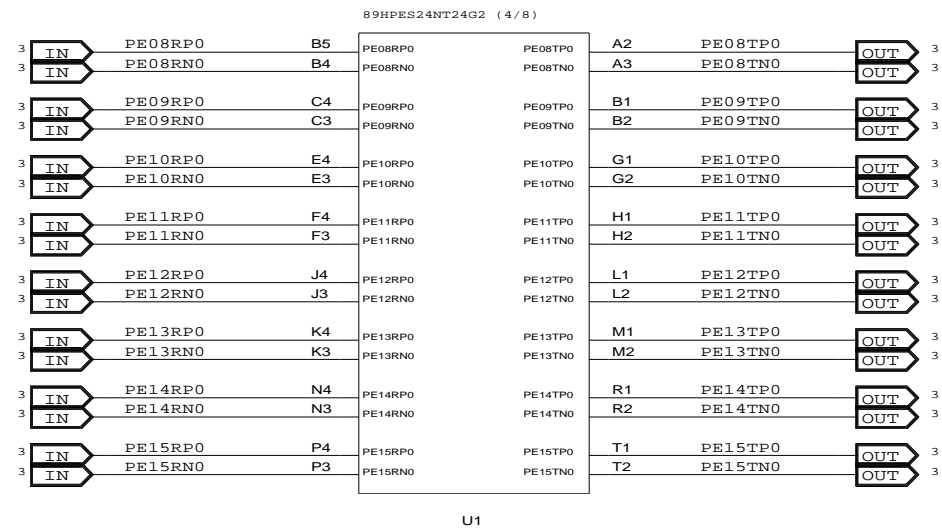
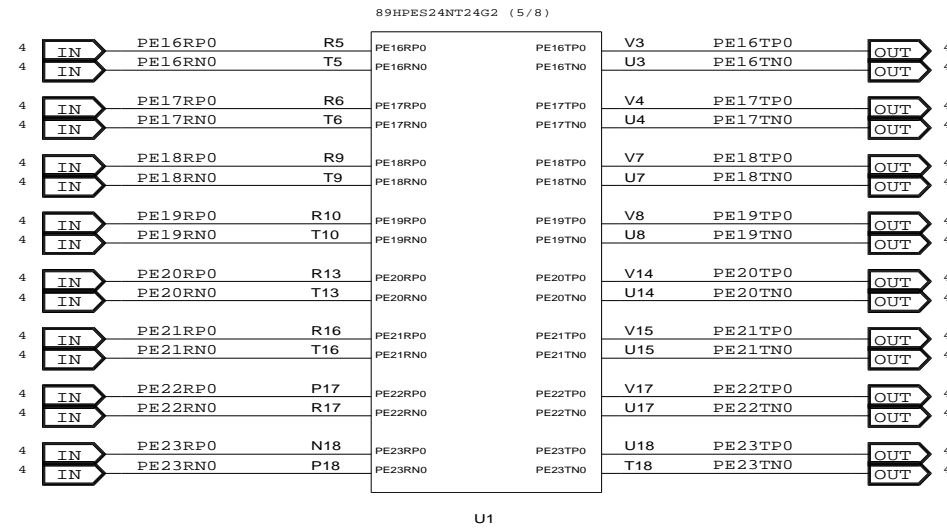
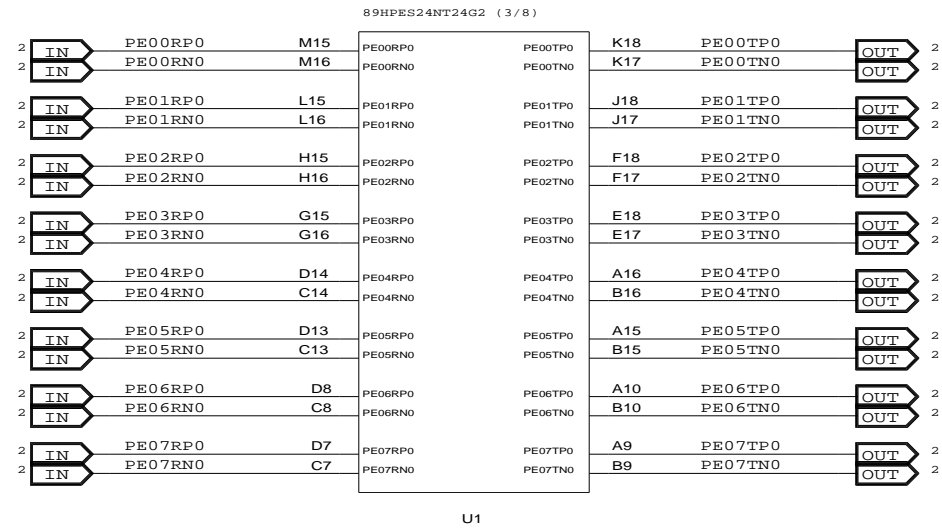
8 7 6 5 4 3 2 1




STK3CFG1 & STK3CFG0 SET BY MEZZ CARDS
 X8 - STK3CFG1 = 0, STK3CFG0 = 0
 X4 - STK3CFG1 = 0, STK3CFG0 = 1

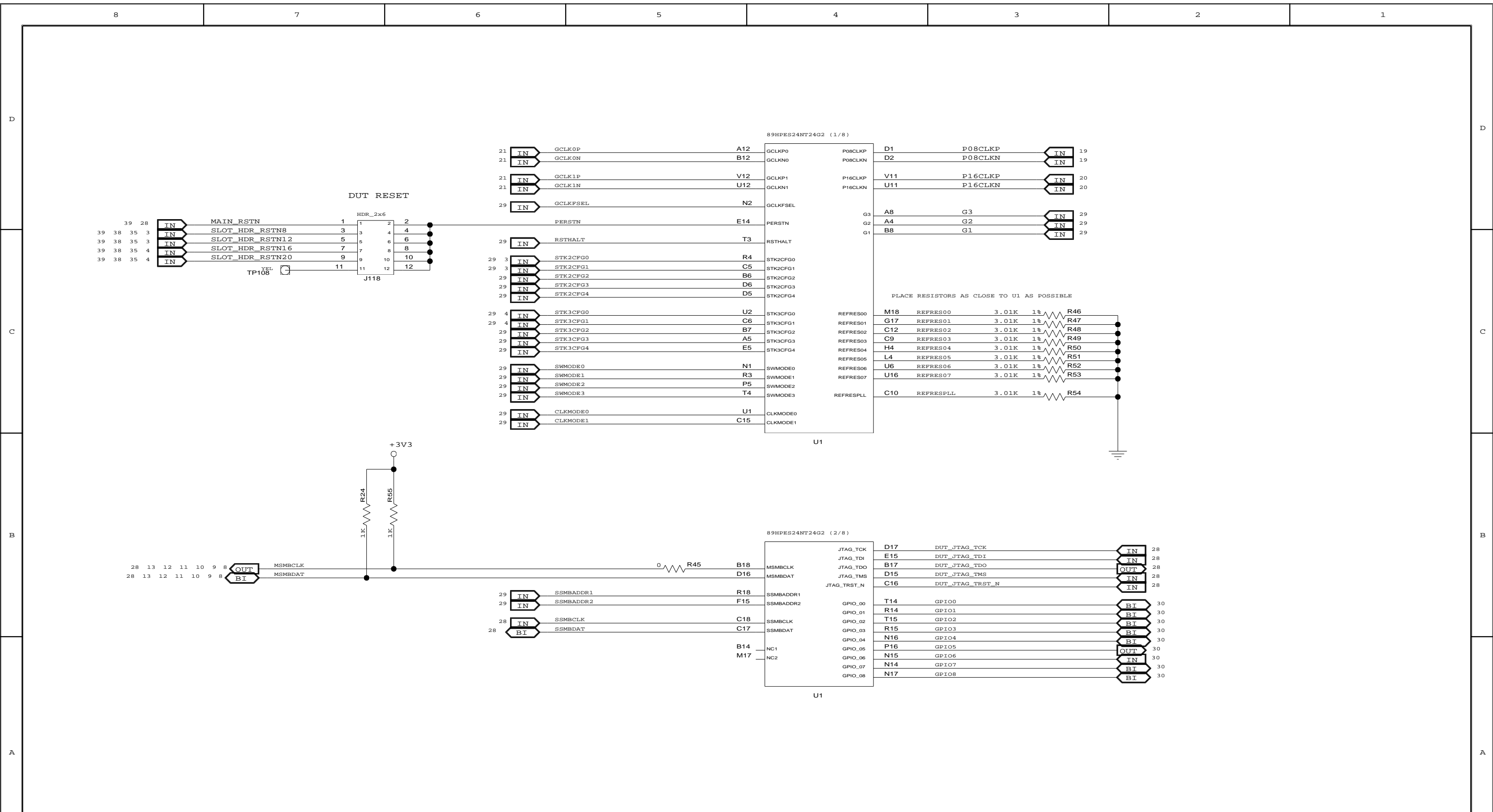



TITLE EB-LOGAN-19			
MEZZANINE CONNECTOR PORTS 16/20			
SIZE	DRAWING NO.	FAB P/N	REV.
B	SCH-PESEB-002	18-692-001	2.0
AUTHOR		CHECKED BY	
Tony Tran		Derek Huang	
Thu Jun 10 11:24:42 2010			SHEET 4 OF 41



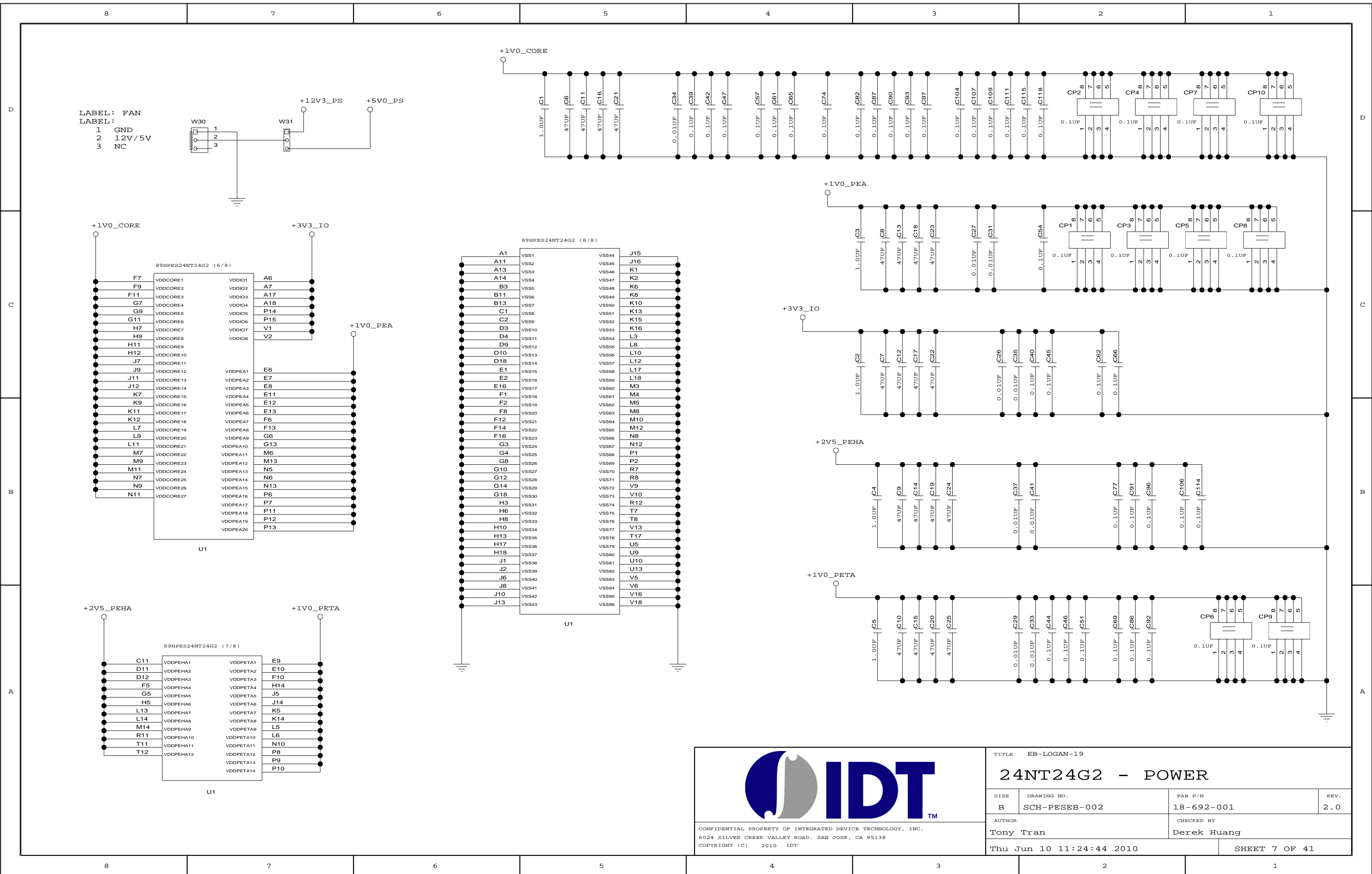
	TITLE EB-LOGAN-19		
	24NT24G2 - SERDES		
SIZE	DRAWING NO.	FAB P/N	REV.
B	SCH-PESEB-002	18-692-001	2.0
AUTHOR		CHECKED BY	
Tony Tran		Derek Huang	
Thu Jun 10 11:24:43 2010			SHEET 5 OF 41

CONFIDENTIAL PROPERTY OF INTEGRATED DEVICE TECHNOLOGY, INC.
6024 SILVER CREEK VALLEY ROAD. SAN JOSE, CA 95138
COPYRIGHT (C) 2010 IDT



		TITLE EB-LOGAN-19		
		24NT24G2 - CLK, CONFIG, GPIO		
SIZE	DRAWING NO.	FAB P/N	REV.	
B	SCH-PESEB-002	18-692-001	2.0	
AUTHOR		CHECKED BY		
Tony Tran		Derek Huang		
Thu Jun 10 11:24:43 2010			SHEET 6 OF 41	

CONFIDENTIAL PROPERTY OF INTEGRATED DEVICE TECHNOLOGY, INC.
6024 SILVER CREEK VALLEY ROAD. SAN JOSE, CA 95138
COPYRIGHT (C) 2010 IDT

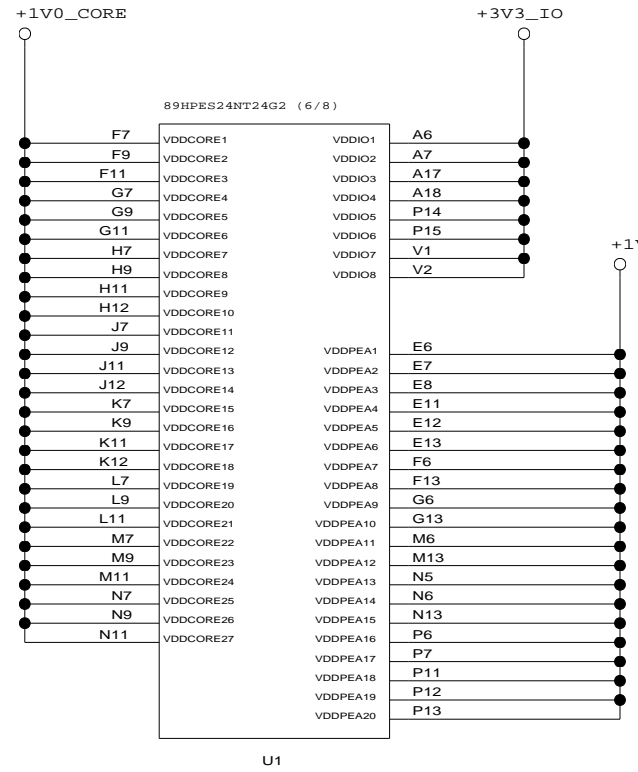


LABEL: FAN
 LABEL:
 1 GND
 2 12V/5V
 3 NC

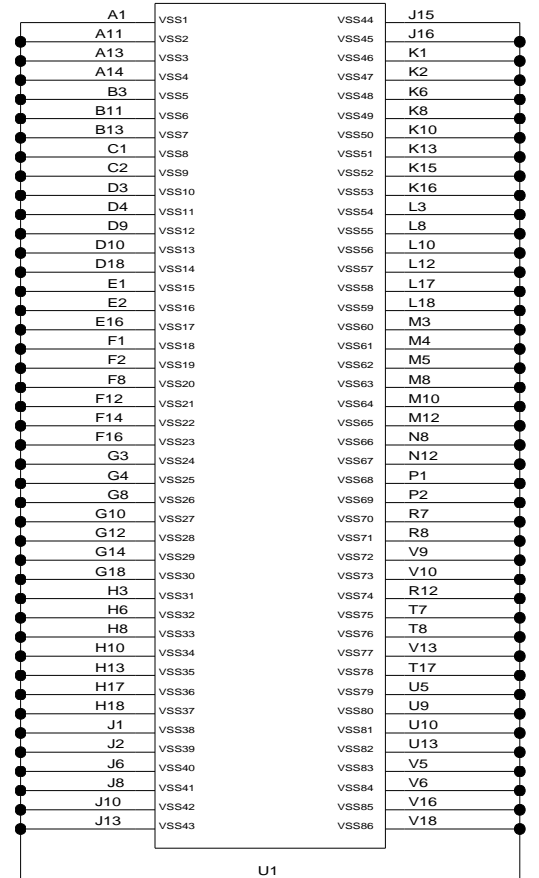


+12V3_PS
 +5V0_PS

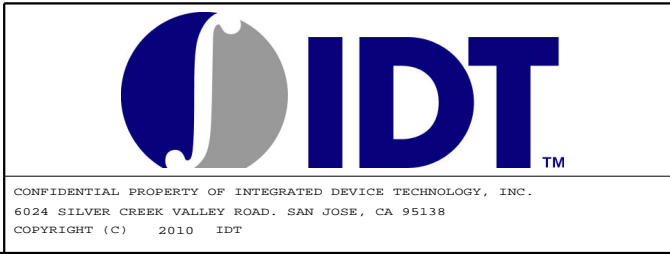
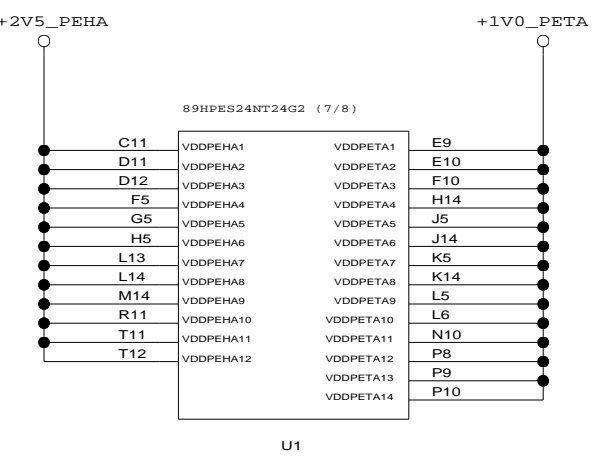
89HPES24NT24G2 (6/8)



89HPES24NT24G2 (8/8)



89HPES24NT24G2 (7/8)



TITLE EB-LOGAN-19			
24NT24G2 - POWER			
SIZE B	DRAWING NO. SCH-PESEB-002	FAB P/N 18-692-001	REV. 2.0
AUTHOR Tony Tran		CHECKED BY Derek Huang	
Thu Jun 10 11:24:44 2010			SHEET 7 OF 41

D

D

C

C

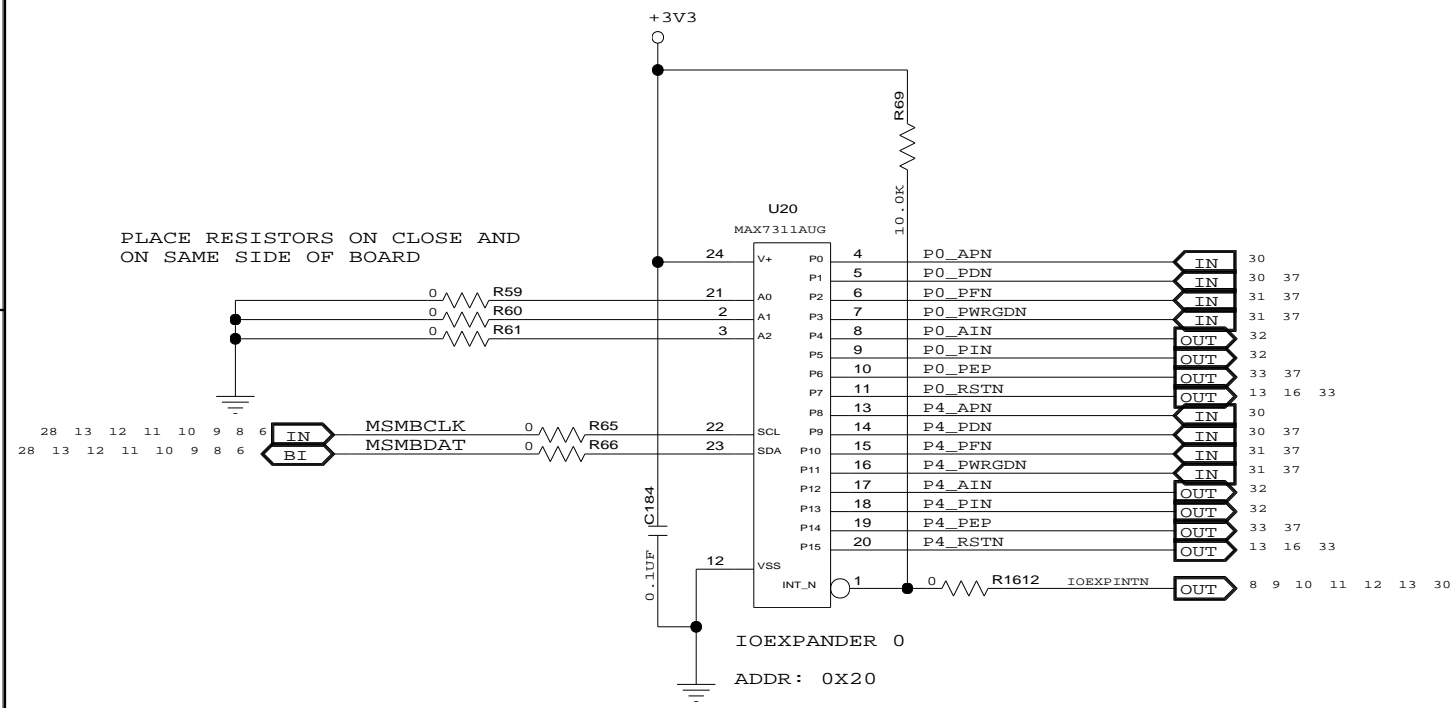
B

B

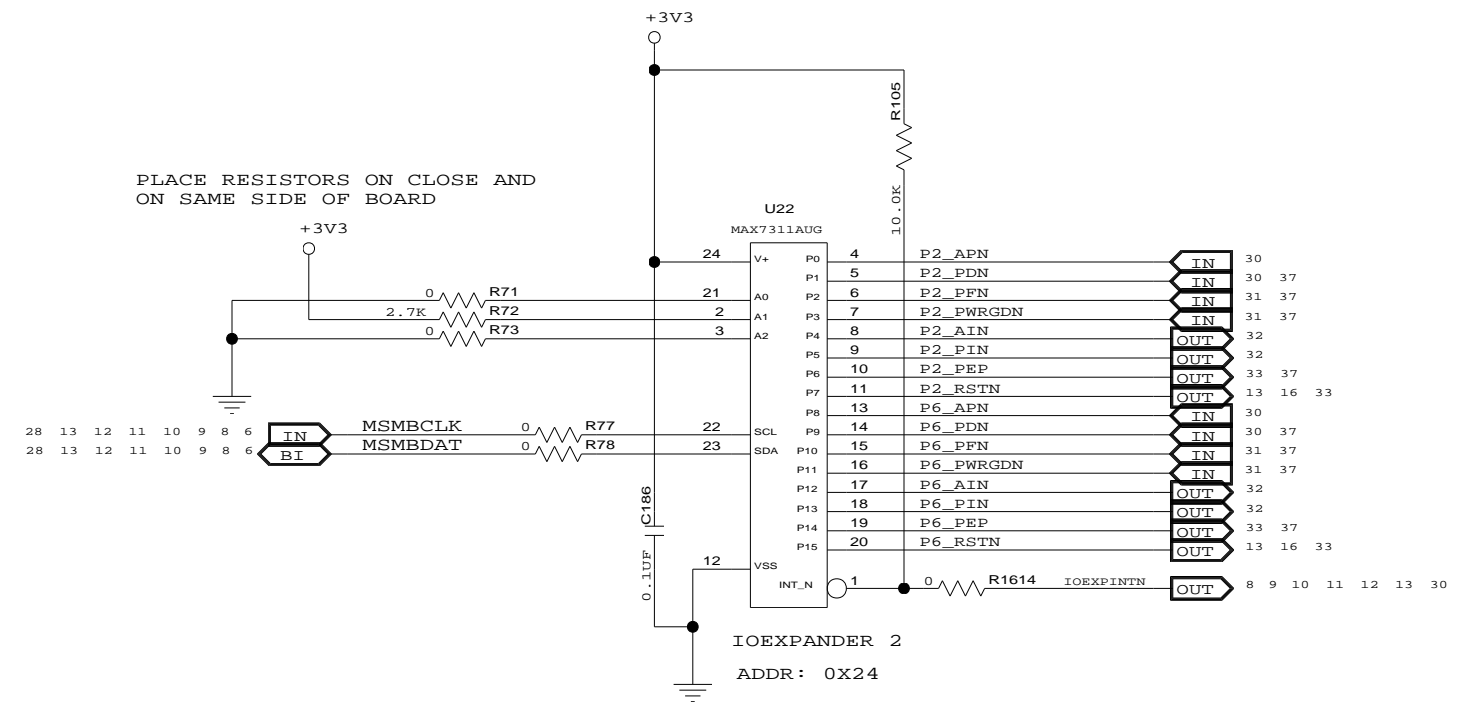
A

A

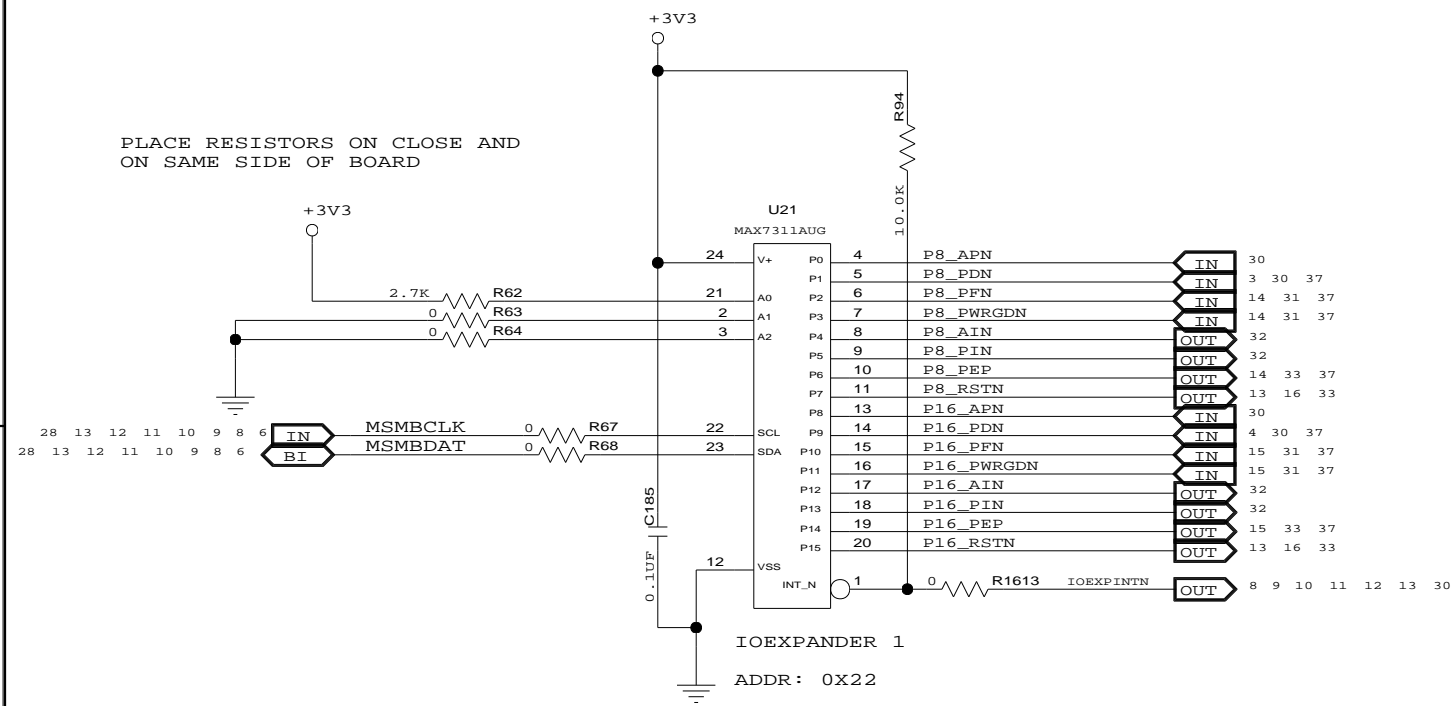
PLACE RESISTORS ON CLOSE AND ON SAME SIDE OF BOARD



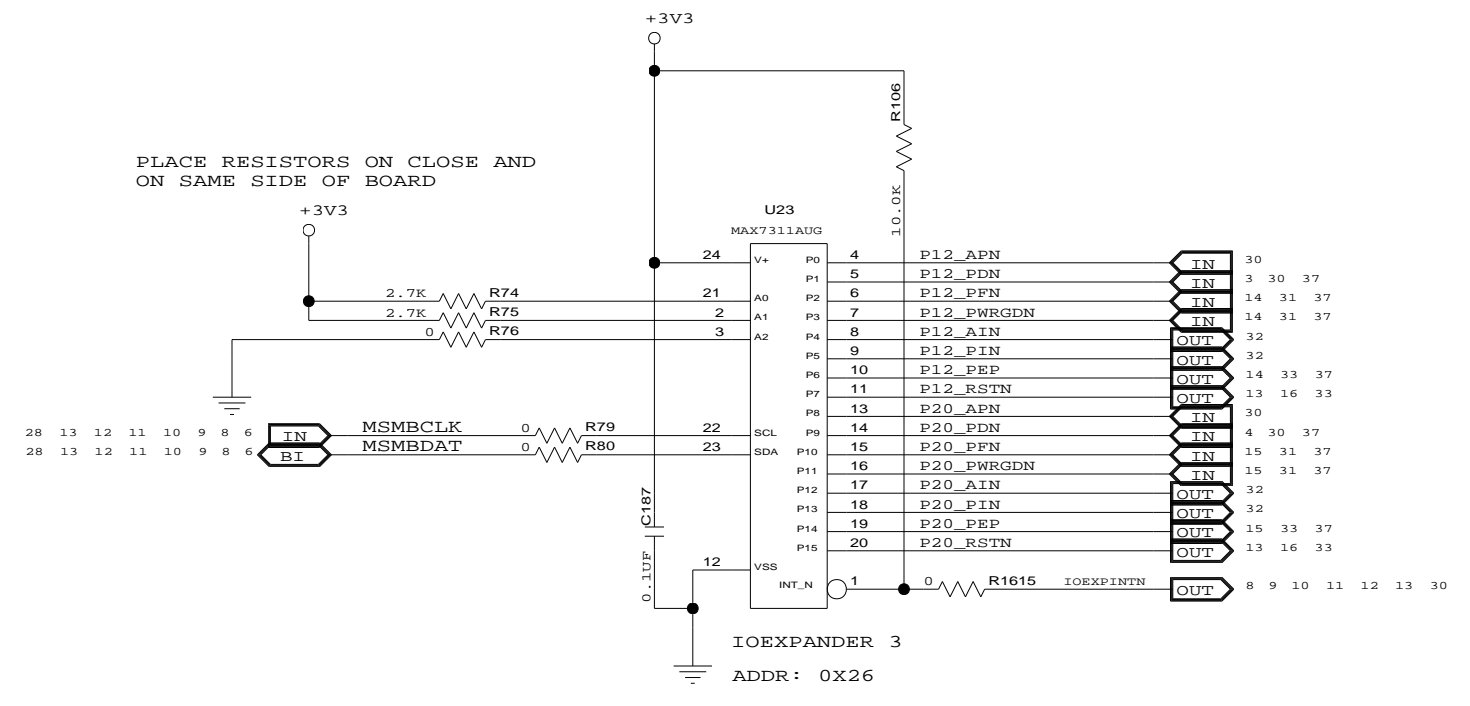
PLACE RESISTORS ON CLOSE AND ON SAME SIDE OF BOARD



PLACE RESISTORS ON CLOSE AND ON SAME SIDE OF BOARD



PLACE RESISTORS ON CLOSE AND ON SAME SIDE OF BOARD

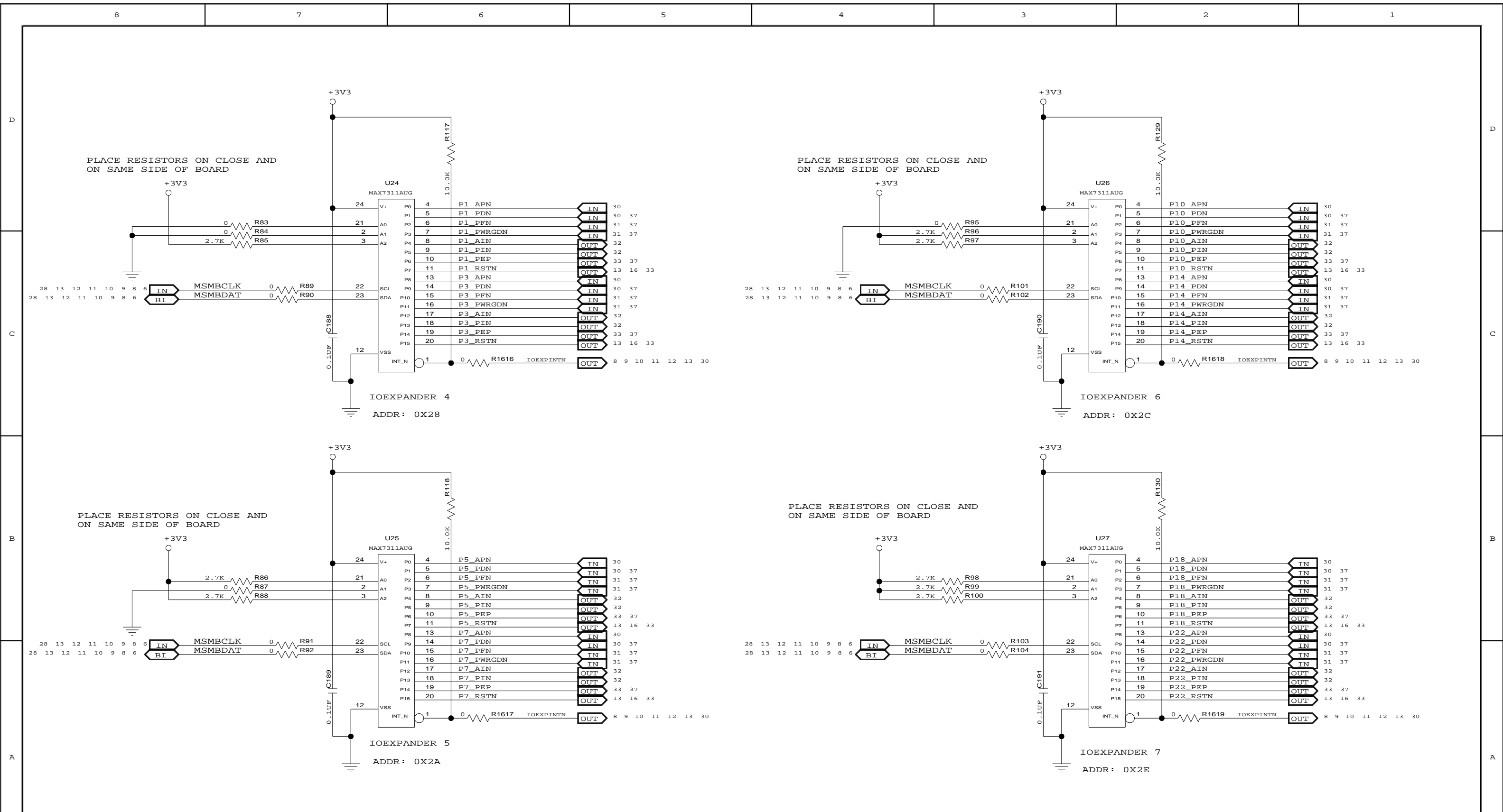



CONFIDENTIAL PROPERTY OF INTEGRATED DEVICE TECHNOLOGY, INC.
6024 SILVER CREEK VALLEY ROAD, SAN JOSE, CA 95138
COPYRIGHT (C) 2010 IDT

TITLE EB-LOGAN-19

IOEXPANDER 0-3

SIZE B	DRAWING NO. SCH-PESEB-002	FAB P/N 18-692-001	REV. 2.0
AUTHOR Tony Tran		CHECKED BY Derek Huang	
Thu Jun 10 11:24:44 2010			SHEET 8 OF 41





CONFIDENTIAL PROPERTY OF INTEGRATED DEVICE TECHNOLOGY, INC.
6024 SILVER CREEK VALLEY ROAD, SAN JOSE, CA 95138
COPYRIGHT (C) 2010 IDT

TITLE EB-LOGAN-19

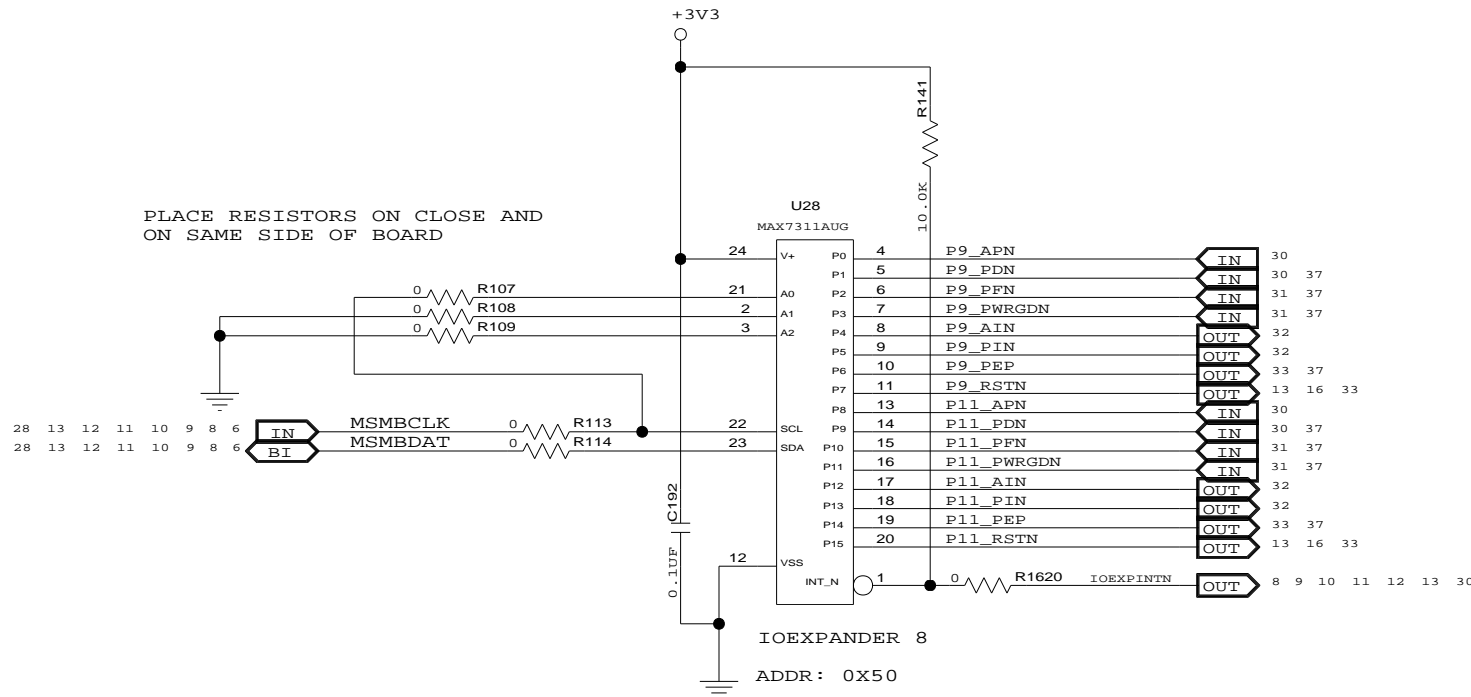
IOEXPANDER 4-7

SIZE	DRAWING NO.	FAB P/N	REV.
B	SCH-PESEB-002	18-692-001	2.0
AUTHOR Tony Tran		CHECKED BY Derek Huang	
Thu Jun 10 11:24:45 2010			SHEET 9 OF 41

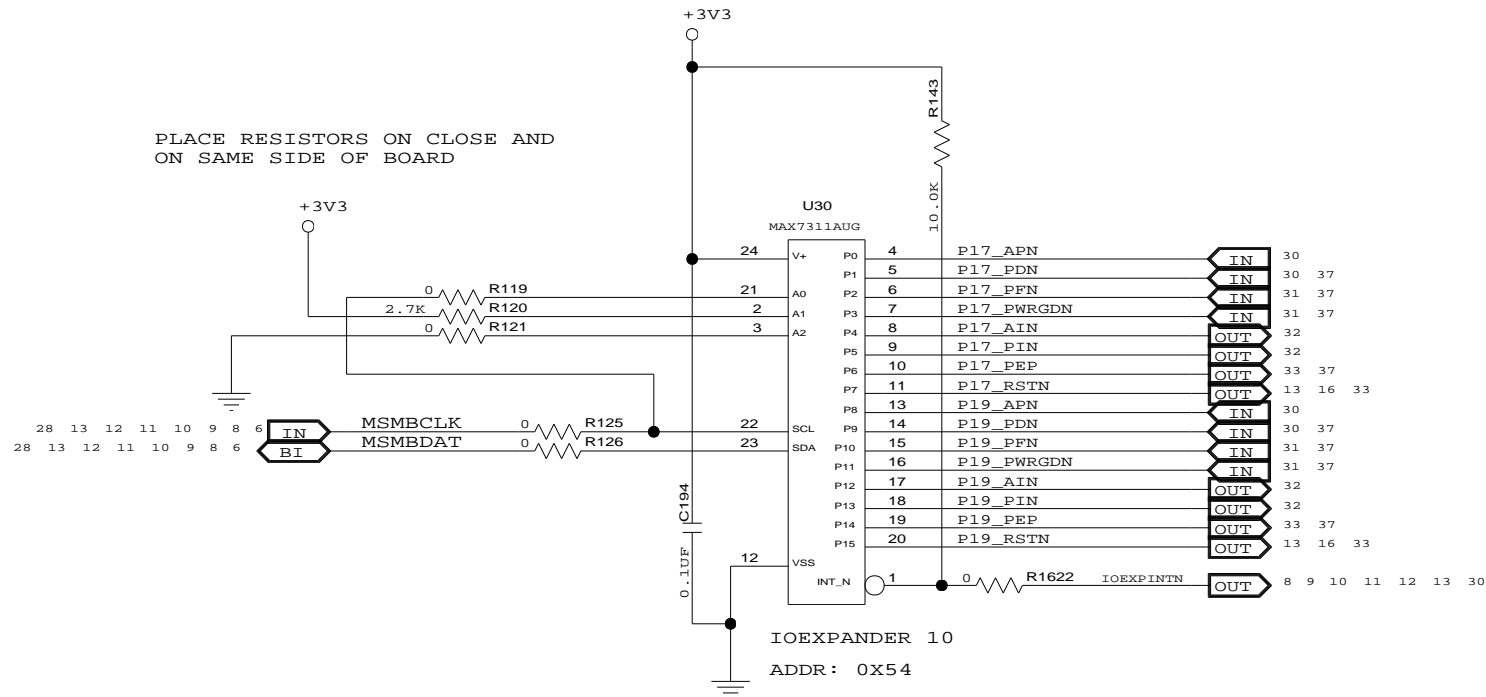
D

D

PLACE RESISTORS ON CLOSE AND ON SAME SIDE OF BOARD



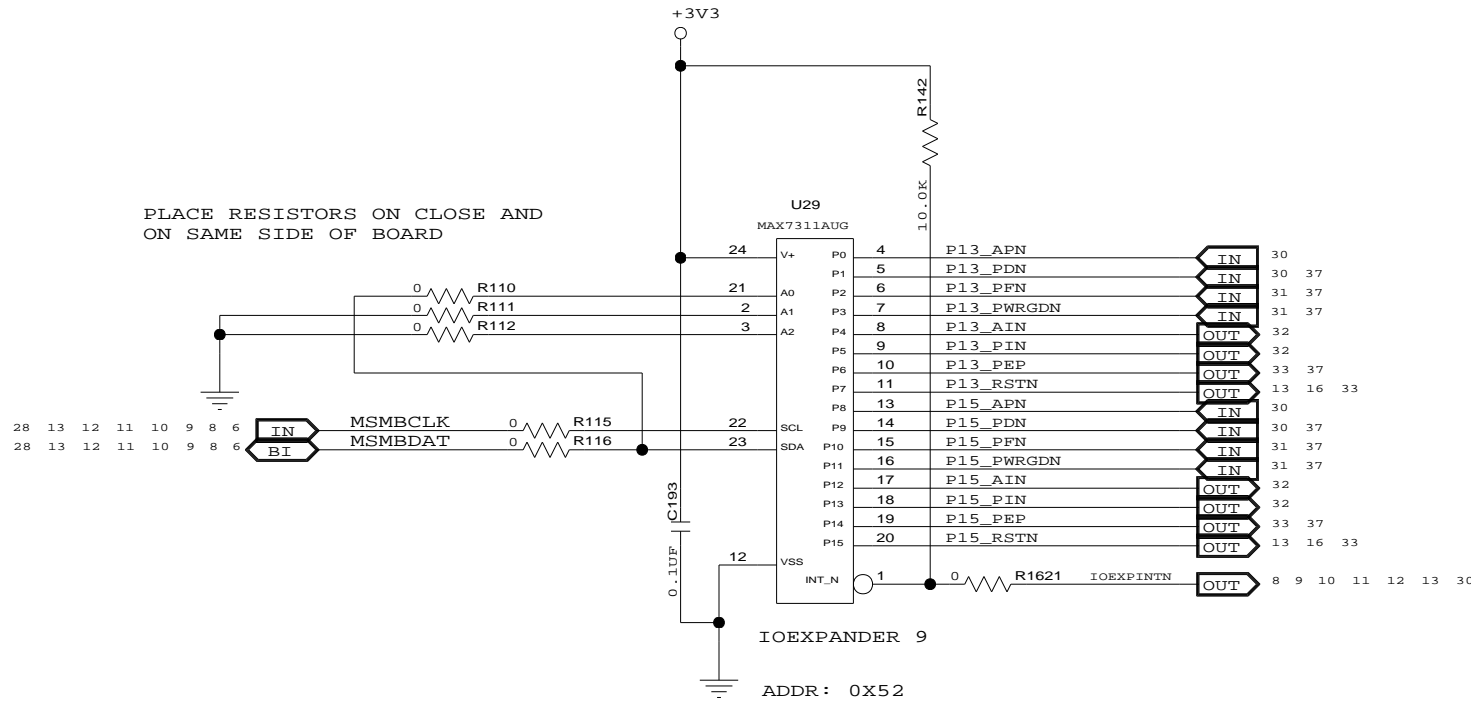
PLACE RESISTORS ON CLOSE AND ON SAME SIDE OF BOARD



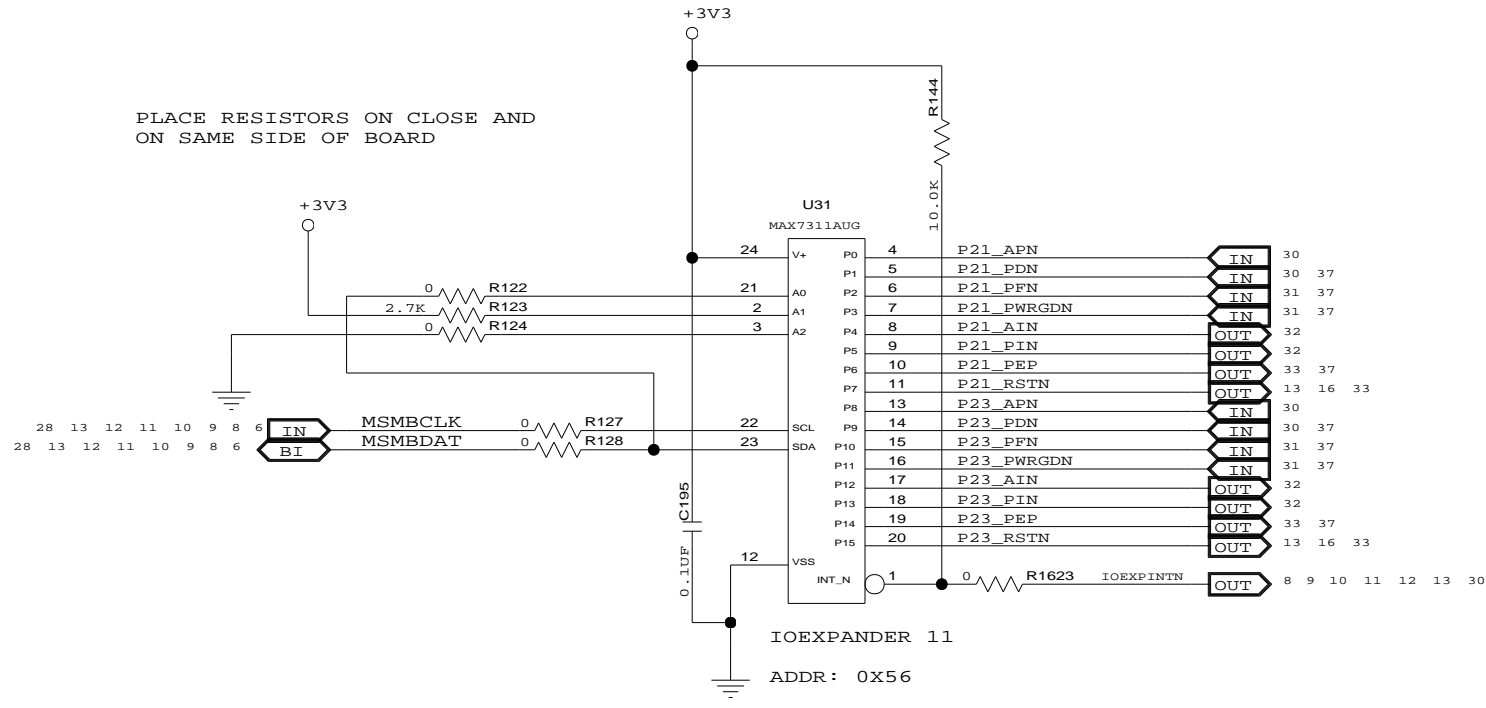
C

C

PLACE RESISTORS ON CLOSE AND ON SAME SIDE OF BOARD



PLACE RESISTORS ON CLOSE AND ON SAME SIDE OF BOARD



B

B

A

A



CONFIDENTIAL PROPERTY OF INTEGRATED DEVICE TECHNOLOGY, INC.
6024 SILVER CREEK VALLEY ROAD. SAN JOSE, CA 95138
COPYRIGHT (C) 2009 IDT

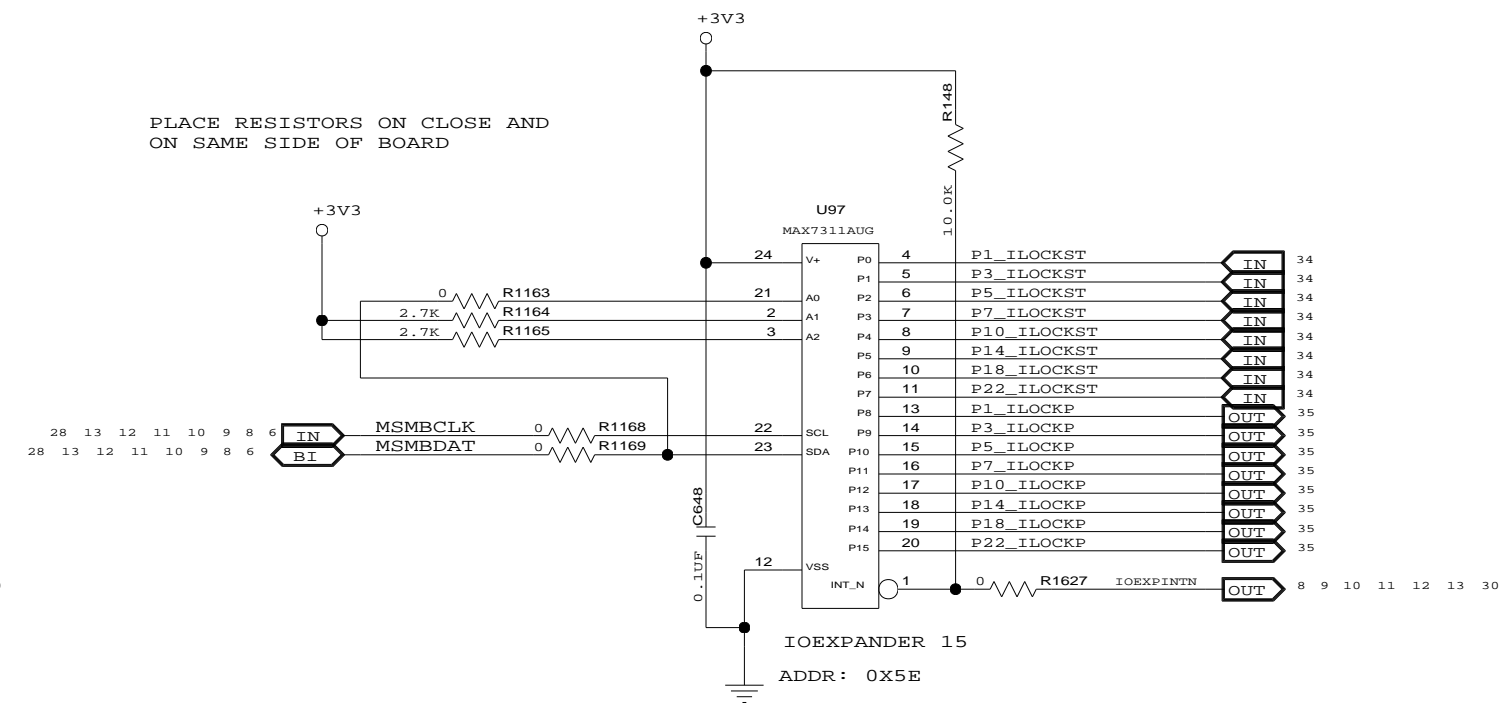
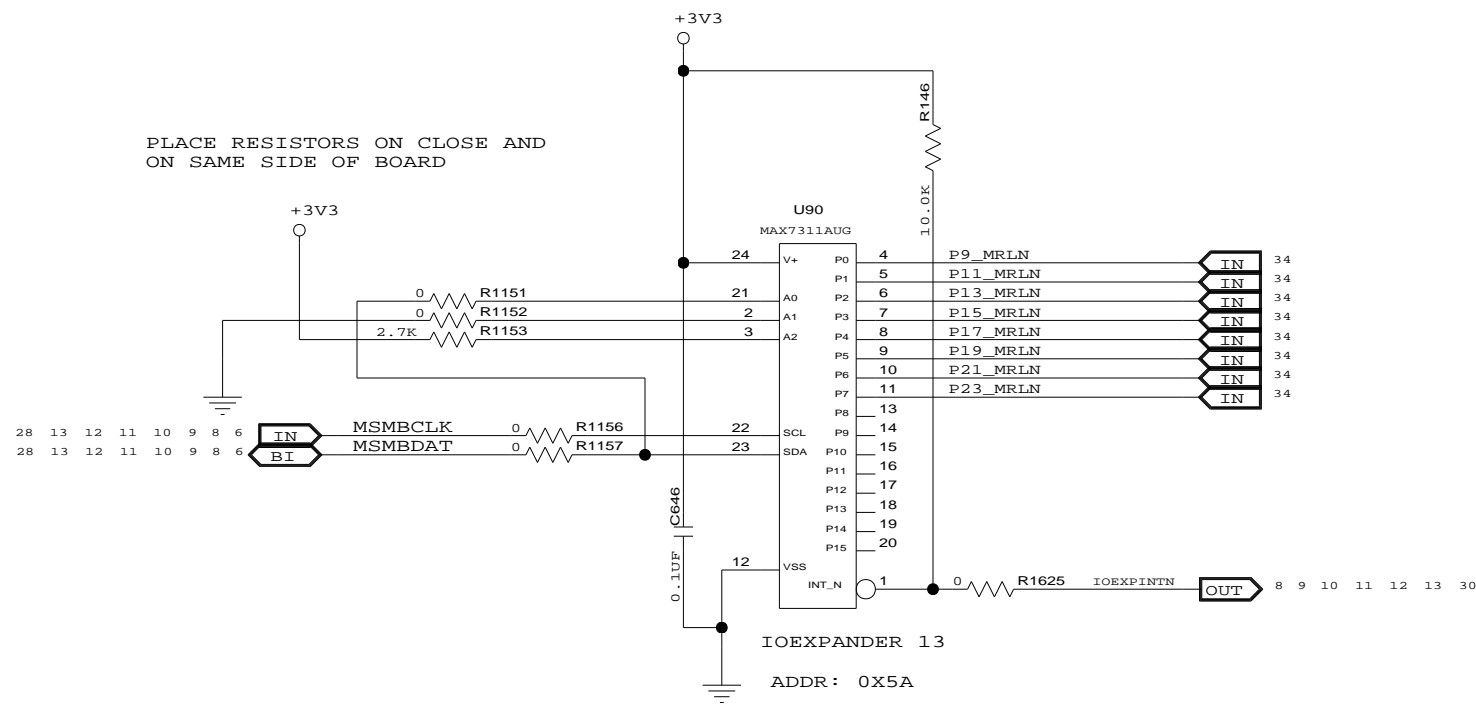
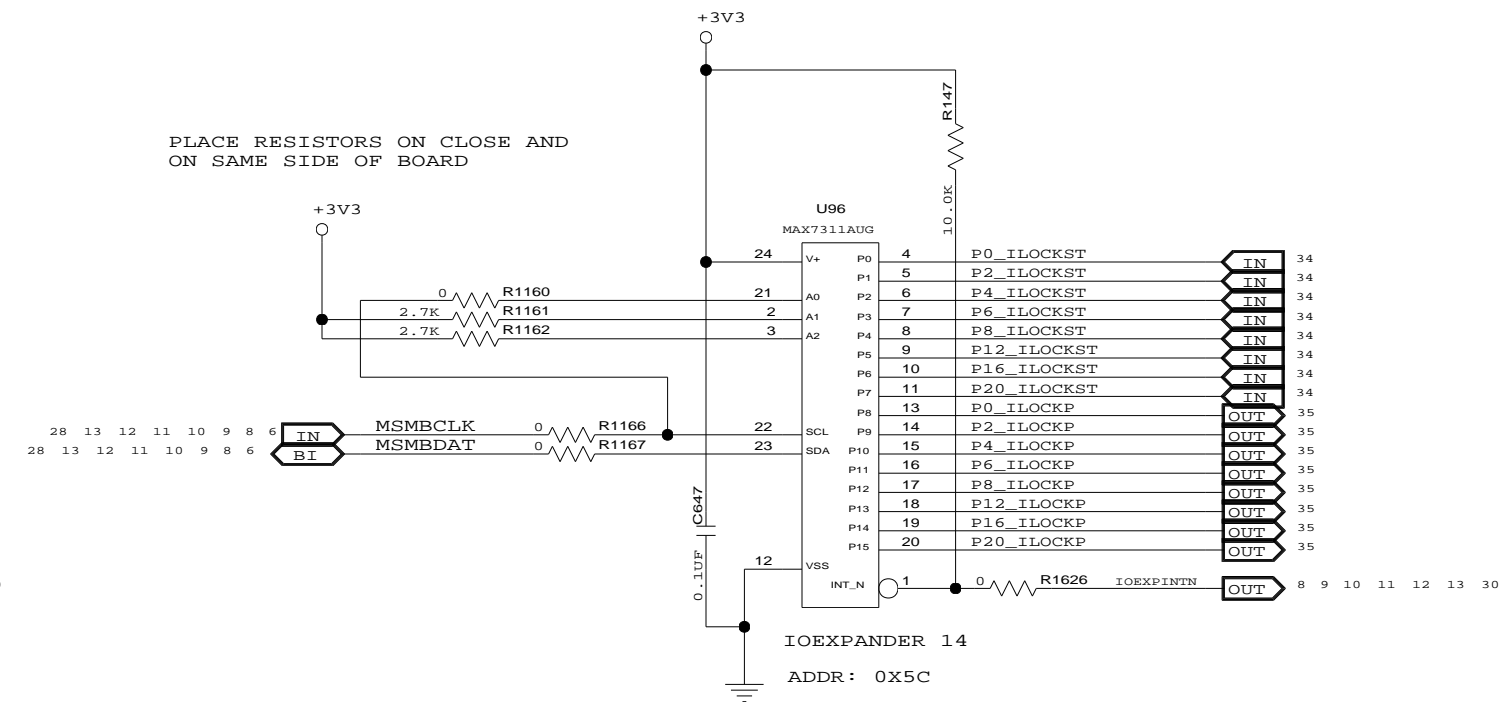
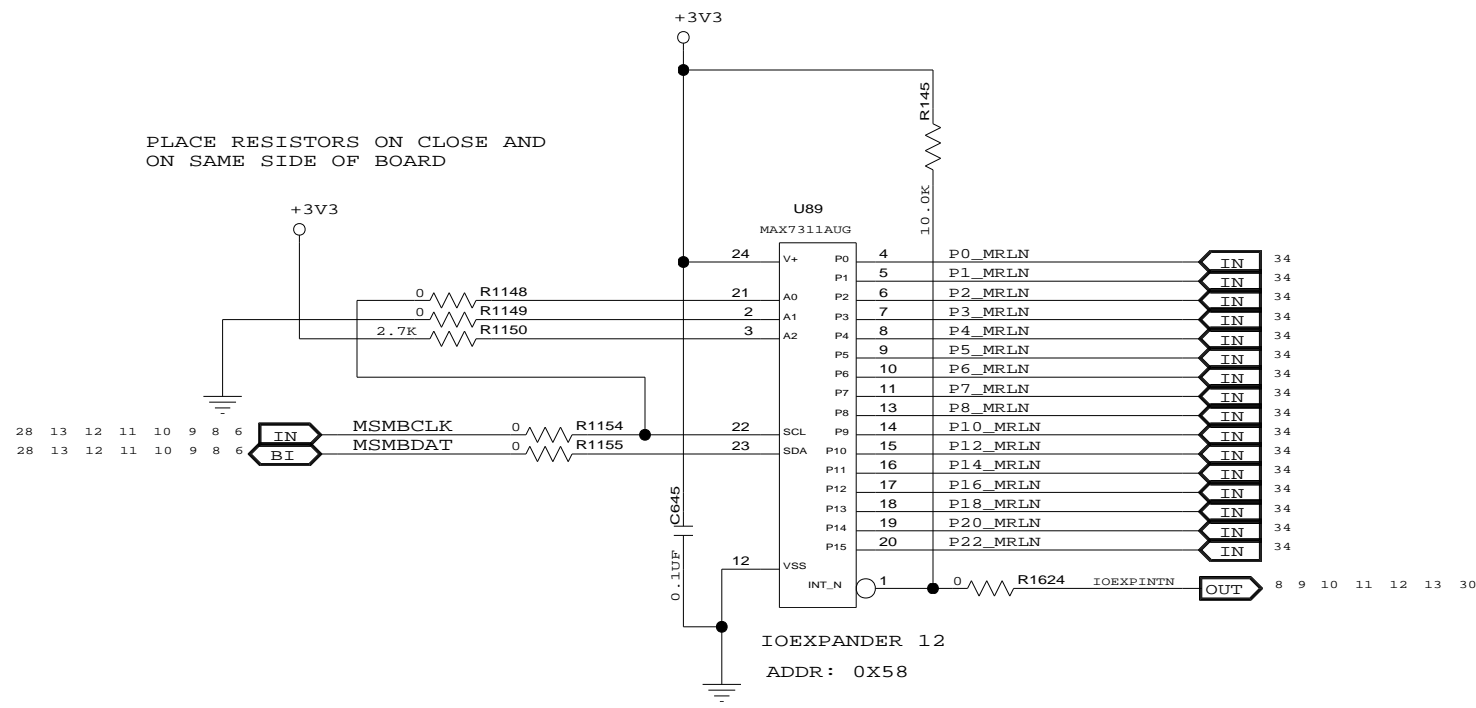
TITLE EB-LOGAN-19

IOEXPANDER 8-11

SIZE	DRAWING NO.	FAB P/N	REV.
B	SCH-PESEB-002	18-692-001	2.0

AUTHOR	CHECKED BY
Tony Tran	Derek Huang

Thu Jun 10 11:24:45 2010 SHEET 10 OF 41



CONFIDENTIAL PROPERTY OF INTEGRATED DEVICE TECHNOLOGY, INC.
 6024 SILVER CREEK VALLEY ROAD, SAN JOSE, CA 95138
 COPYRIGHT (C) 2010 IDT

TITLE EB-LOGAN-19			
IOEXPANDER 12-15			
SIZE	DRAWING NO.	FAB P/N	REV.
B	SCH-PESEB-002	18-692-001	2.0
AUTHOR		CHECKED BY	
Tony Tran		Derek Huang	
Thu Jun 10 11:24:45 2010			SHEET 11 OF 41

D

D

C

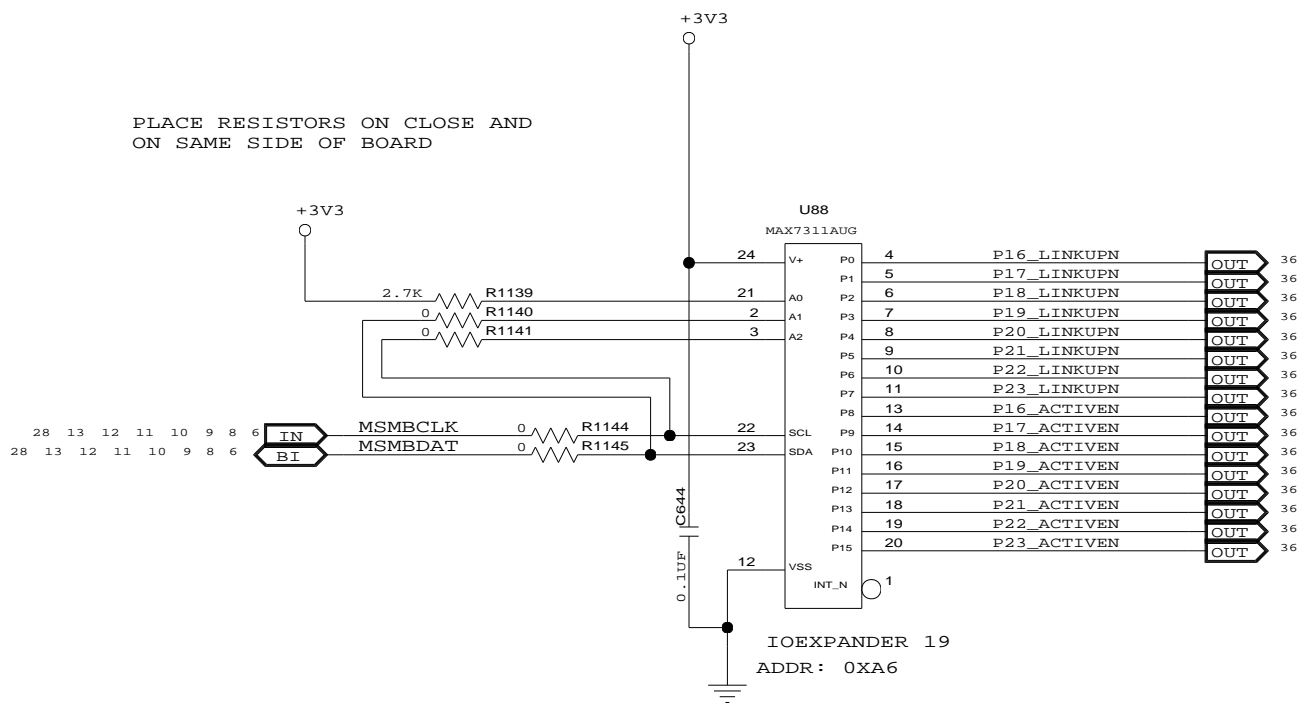
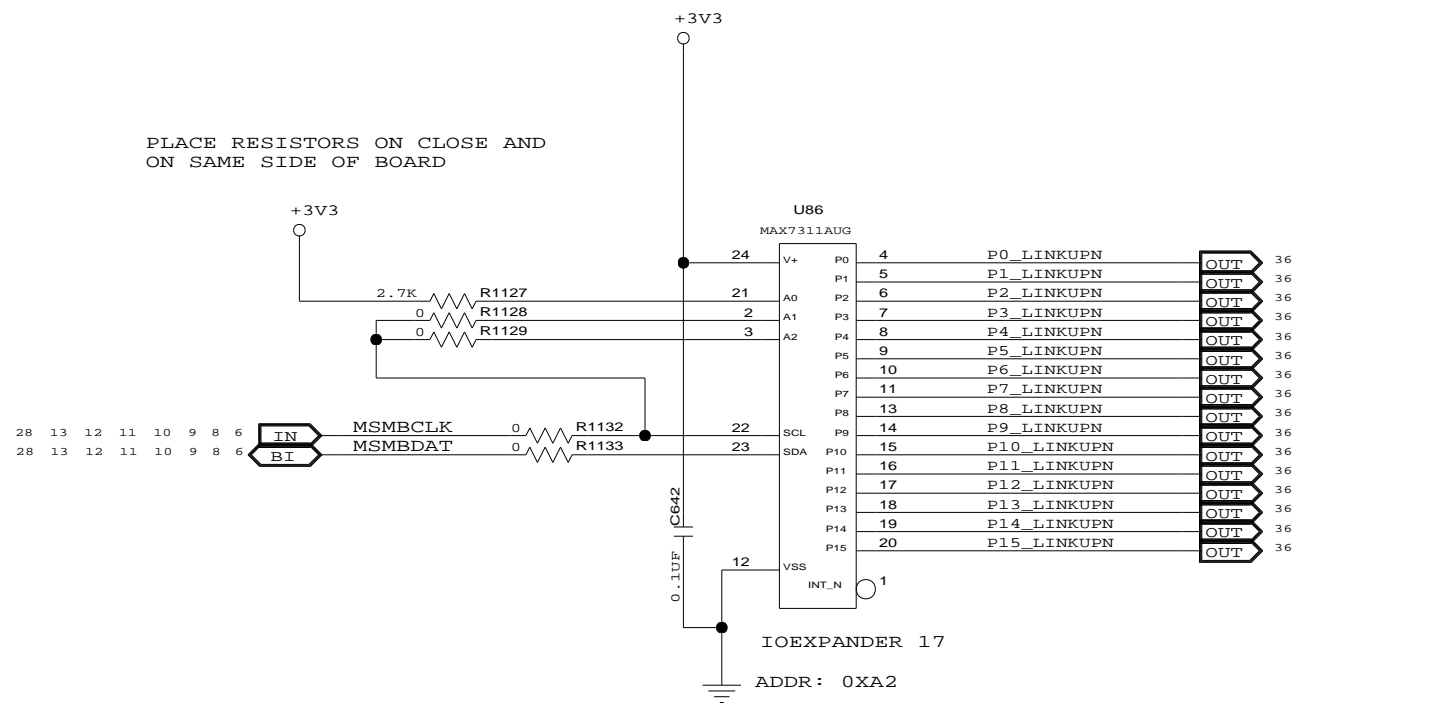
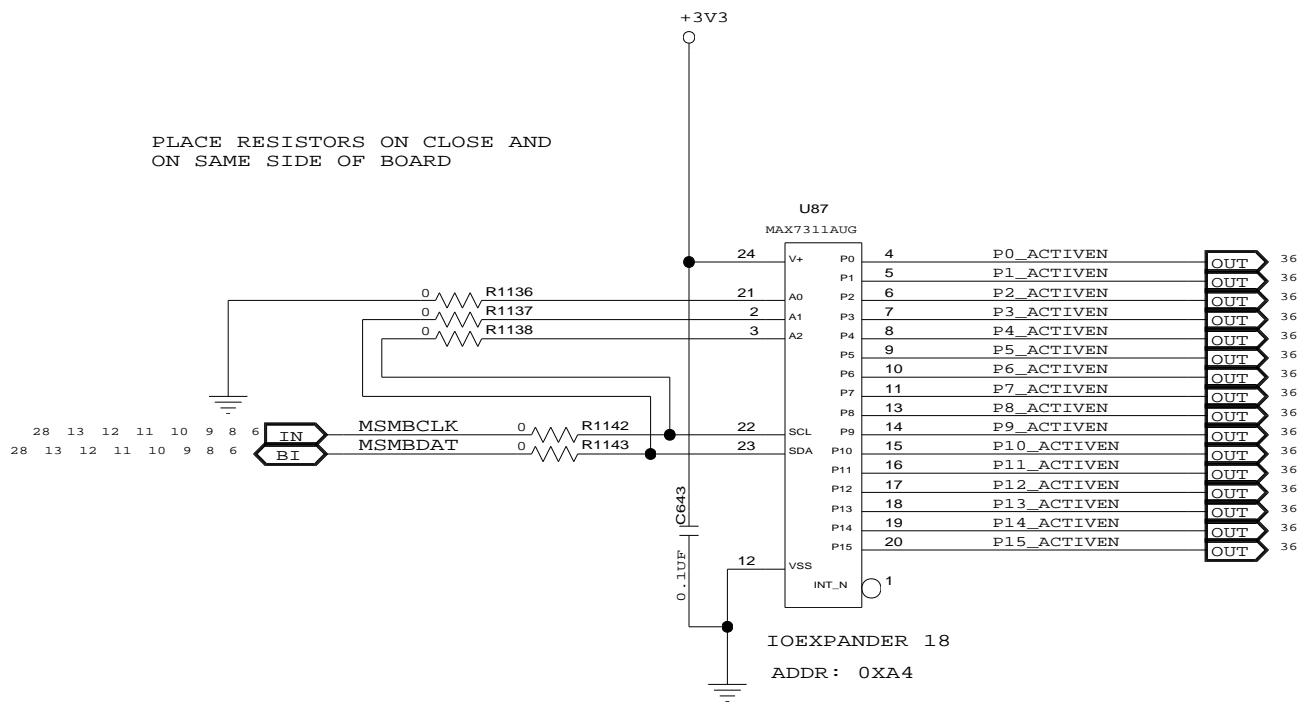
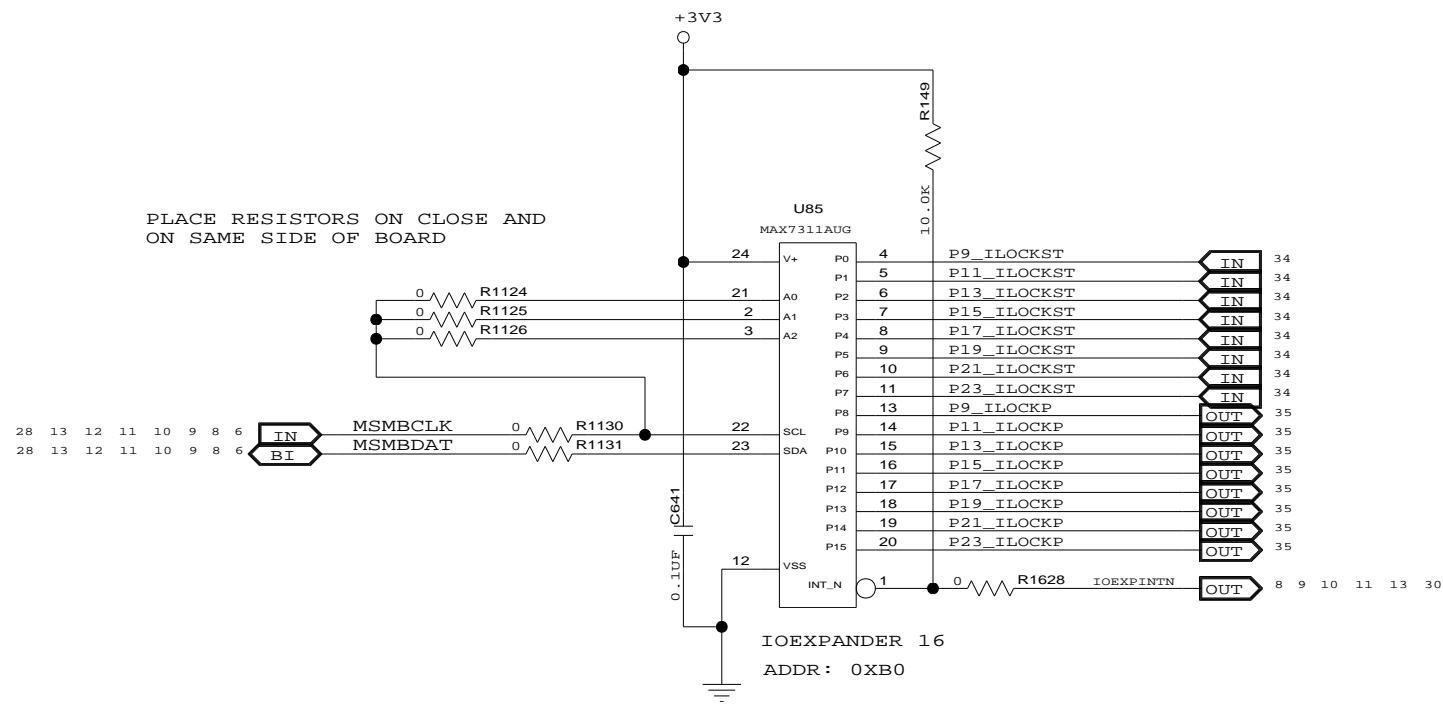
C


B

B

A

A



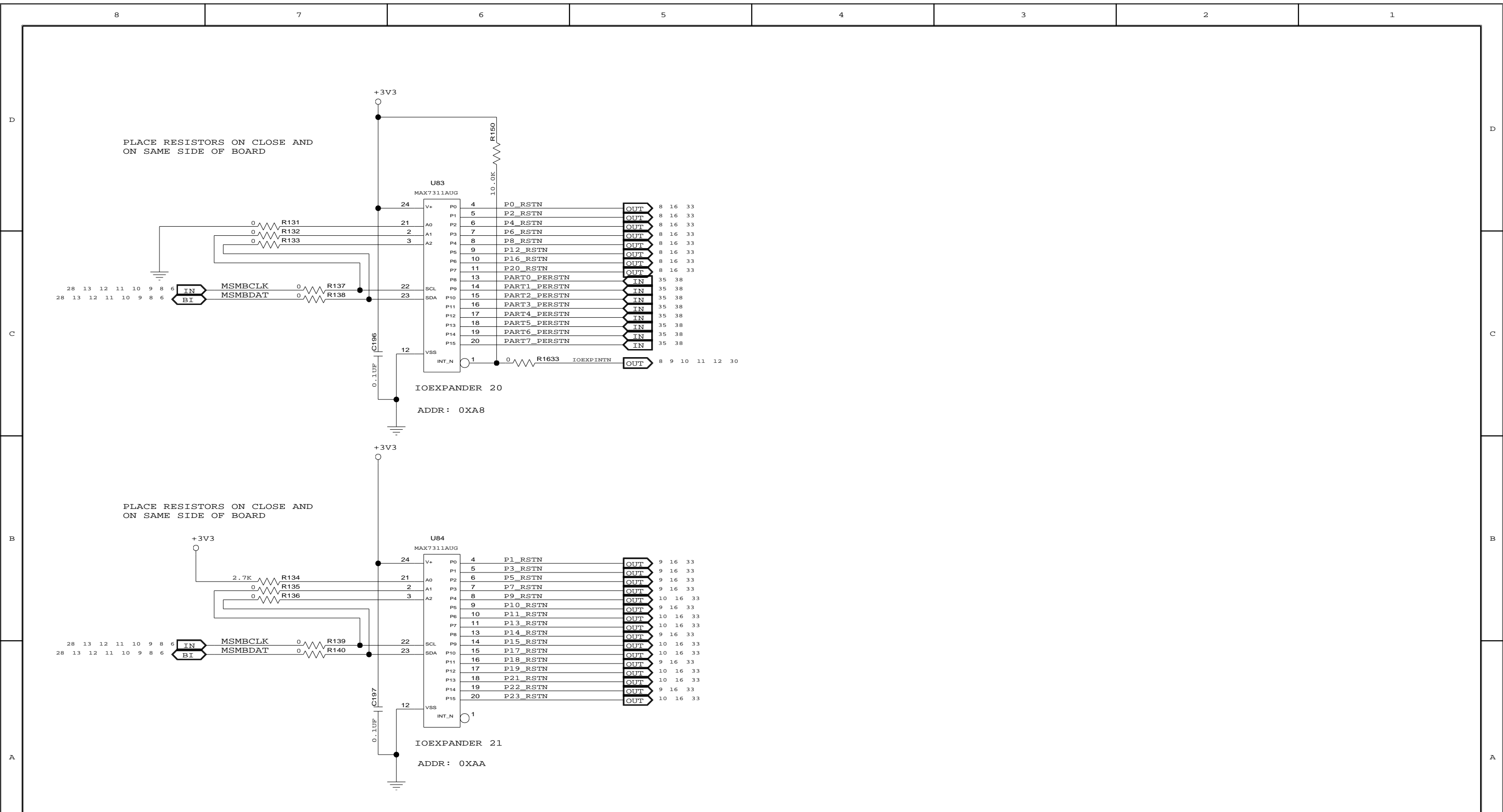



TITLE EB-LOGAN-19

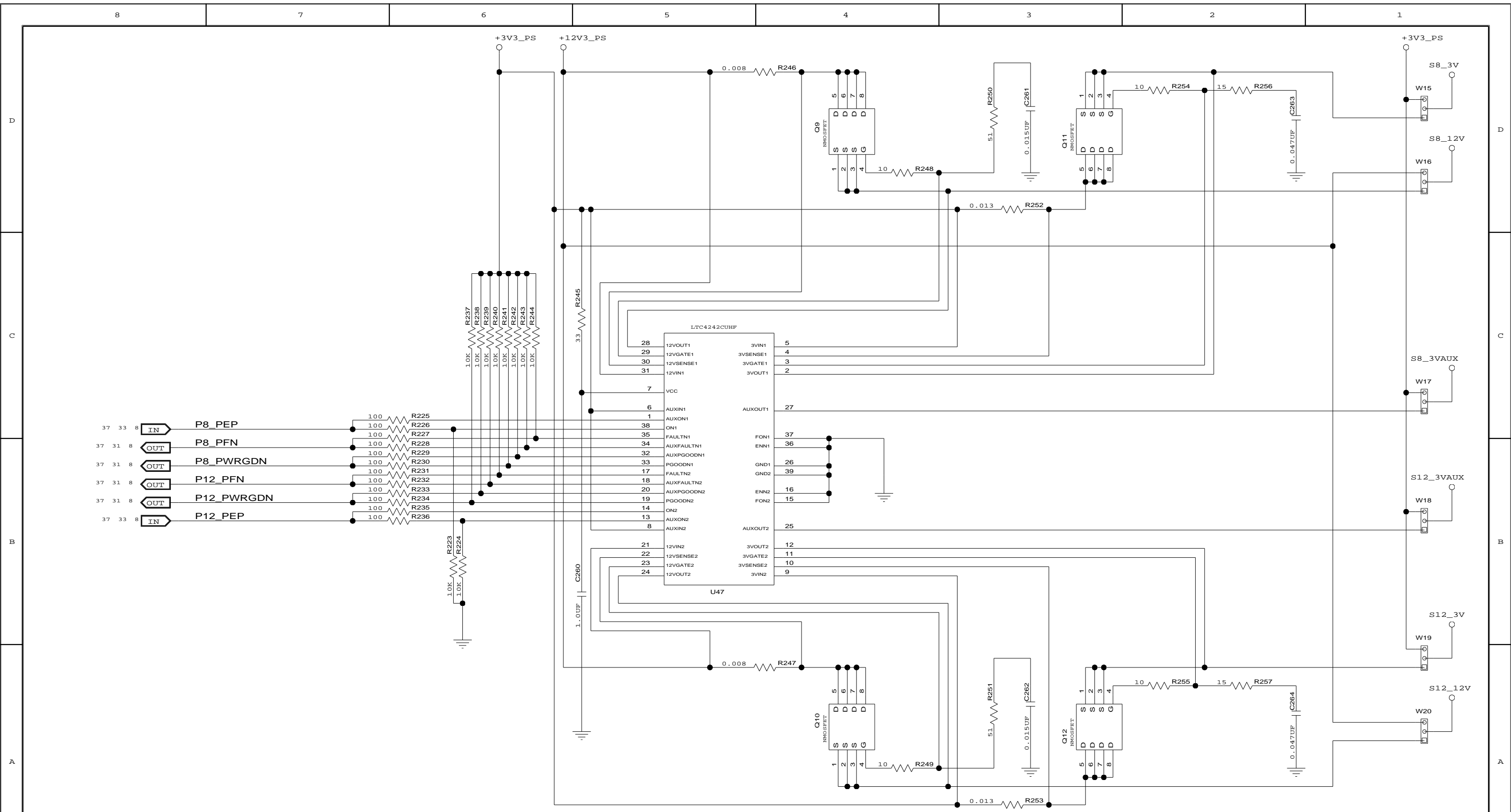

IOEXPANDER 16-19

SIZE	DRAWING NO.	FAB P/N	REV.
B	SCH-PESEB-002	18-692-001	2.0
AUTHOR		CHECKED BY	
Tony Tran		Derek Huang	
Thu Jun 10 11:24:46 2010			SHEET 12 OF 41

CONFIDENTIAL PROPERTY OF INTEGRATED DEVICE TECHNOLOGY, INC.
6024 SILVER CREEK VALLEY ROAD. SAN JOSE, CA 95138
COPYRIGHT (C) 2010 IDT

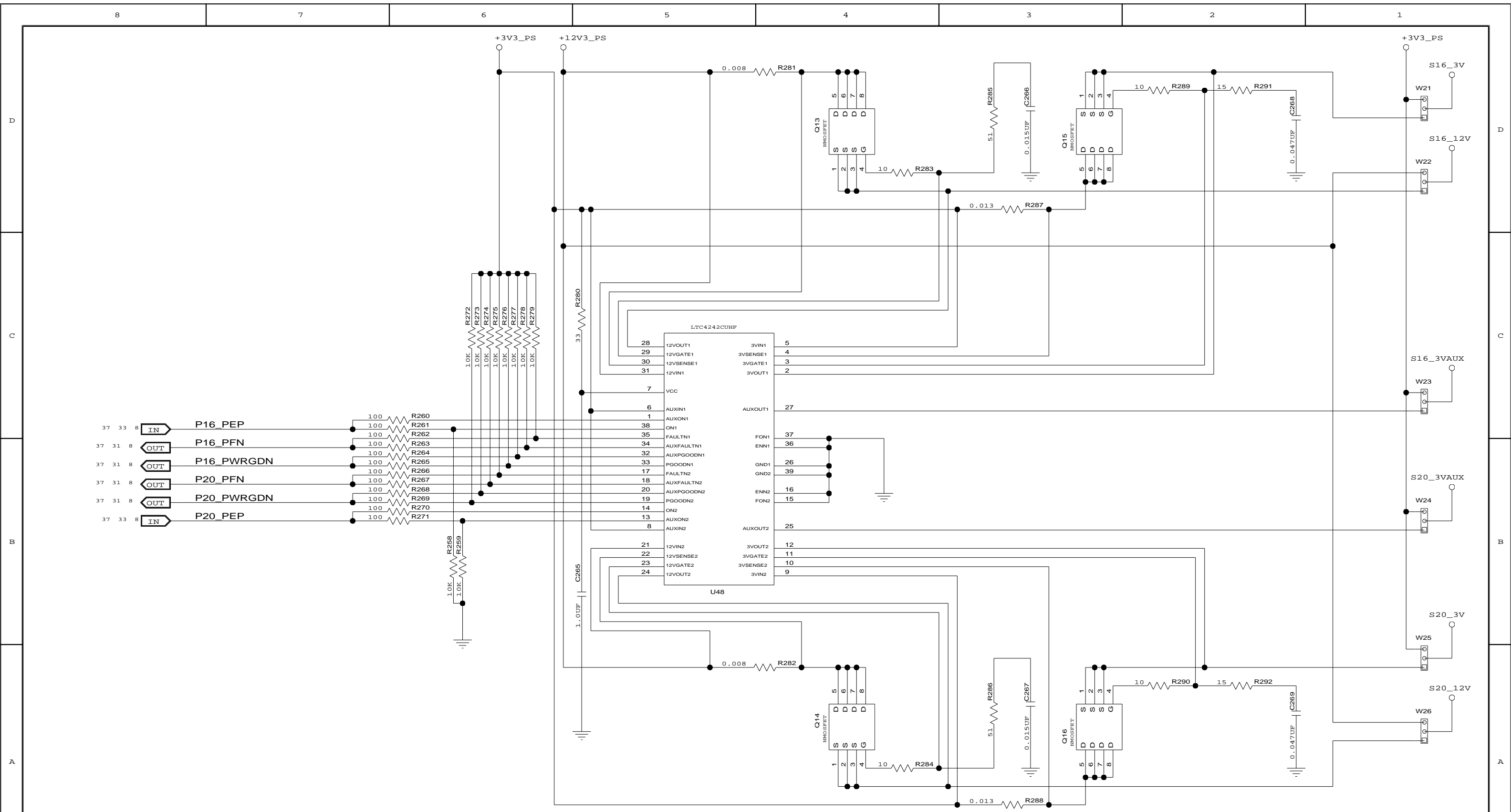


				TITLE EB-LOGAN-19			
				IOEXPANDER 20-21			
SIZE	DRAWING NO.	FAB P/N	REV.				
B	SCH-PESEB-002	18-692-001	2.0				
AUTHOR			CHECKED BY				
Tony Tran			Derek Huang				
Thu Jun 10 11:24:46 2010				SHEET 13 OF 41			

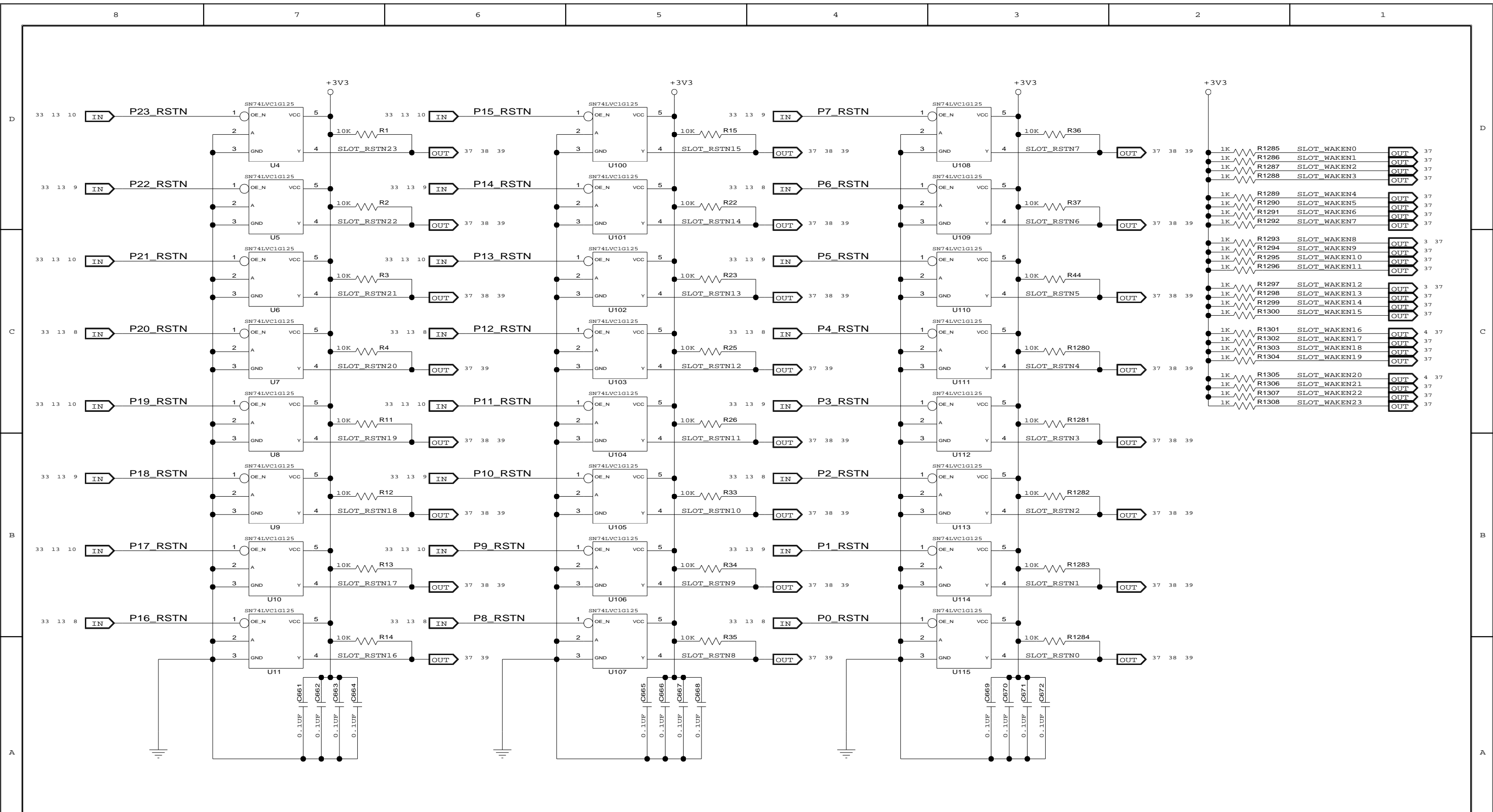
CONFIDENTIAL PROPERTY OF INTEGRATED DEVICE TECHNOLOGY, INC.
6024 SILVER CREEK VALLEY ROAD. SAN JOSE, CA 95138
COPYRIGHT (C) 2010 IDT


TITLE EB-LOGAN-19			
HOT PLUG CONTROL PORTS 8-12			
SIZE	DRAWING NO.	FAB P/N	REV.
B	SCH-PESEB-002	18-692-001	2.0
AUTHOR		CHECKED BY	
Tony Tran		Derek Huang	
Thu Jun 10 11:24:46 2010			SHEET 14 OF 41



IDT
 CONFIDENTIAL PROPERTY OF INTEGRATED DEVICE TECHNOLOGY, INC.
 6024 SILVER CREEK VALLEY ROAD, SAN JOSE, CA 95138
 COPYRIGHT (C) 2010 IDT

TITLE EB-LOGAN-19			
HOT PLUG CONTROL PORTS 16-20			
SIZE B	DRAWING NO. SCH-PESEB-002	FAB P/N 18-692-001	REV. 2.0
AUTHOR Tony Tran		CHECKED BY Derek Huang	
Thu Jun 10 11:24:47 2010			SHEET 15 OF 41



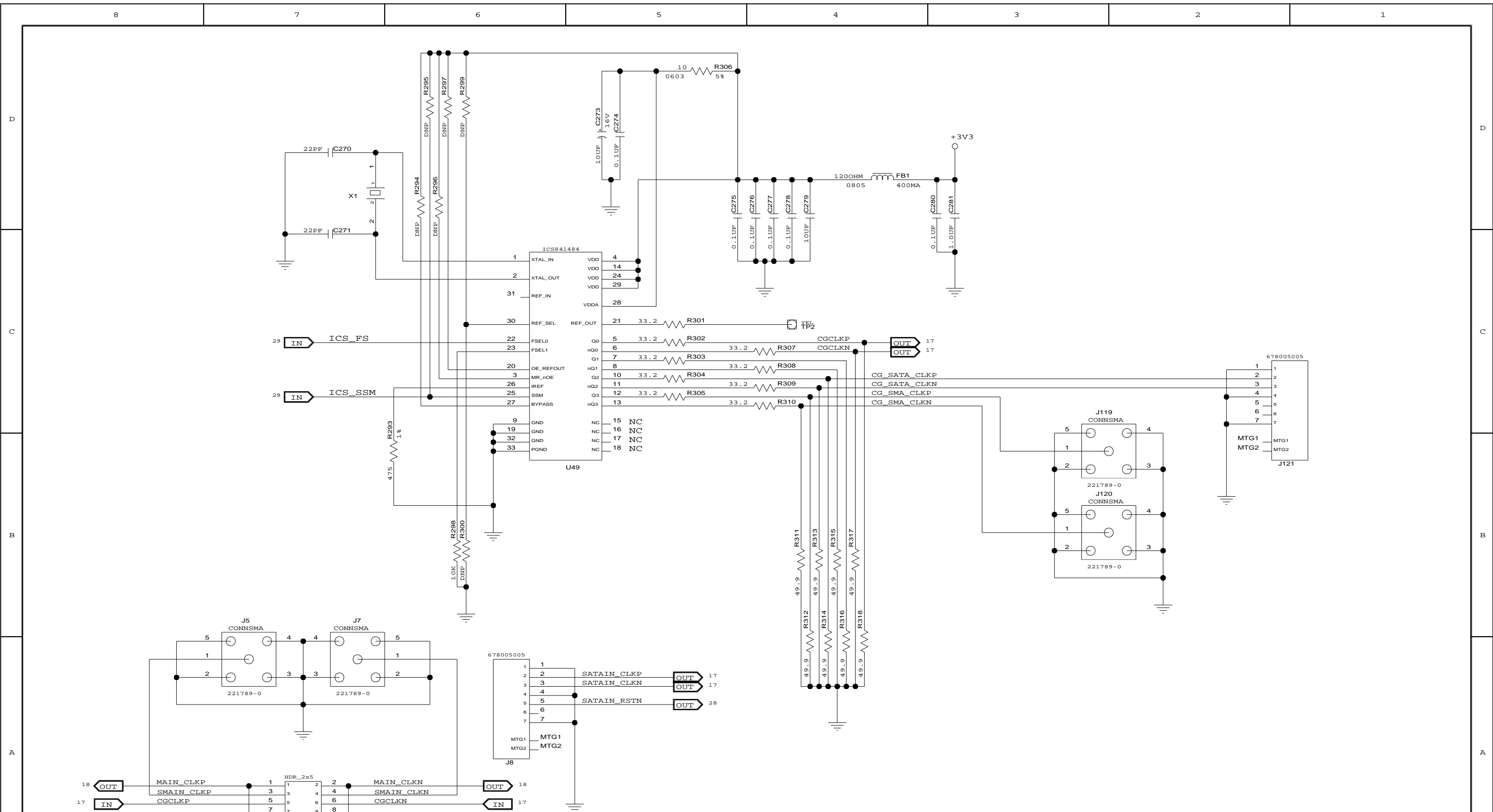



CONFIDENTIAL PROPERTY OF INTEGRATED DEVICE TECHNOLOGY, INC.
6024 SILVER CREEK VALLEY ROAD, SAN JOSE, CA 95138
COPYRIGHT (C) 2010 IDT

TITLE EB-LOGAN-19

SLOT RESETS AND WAKE PULL-UPS

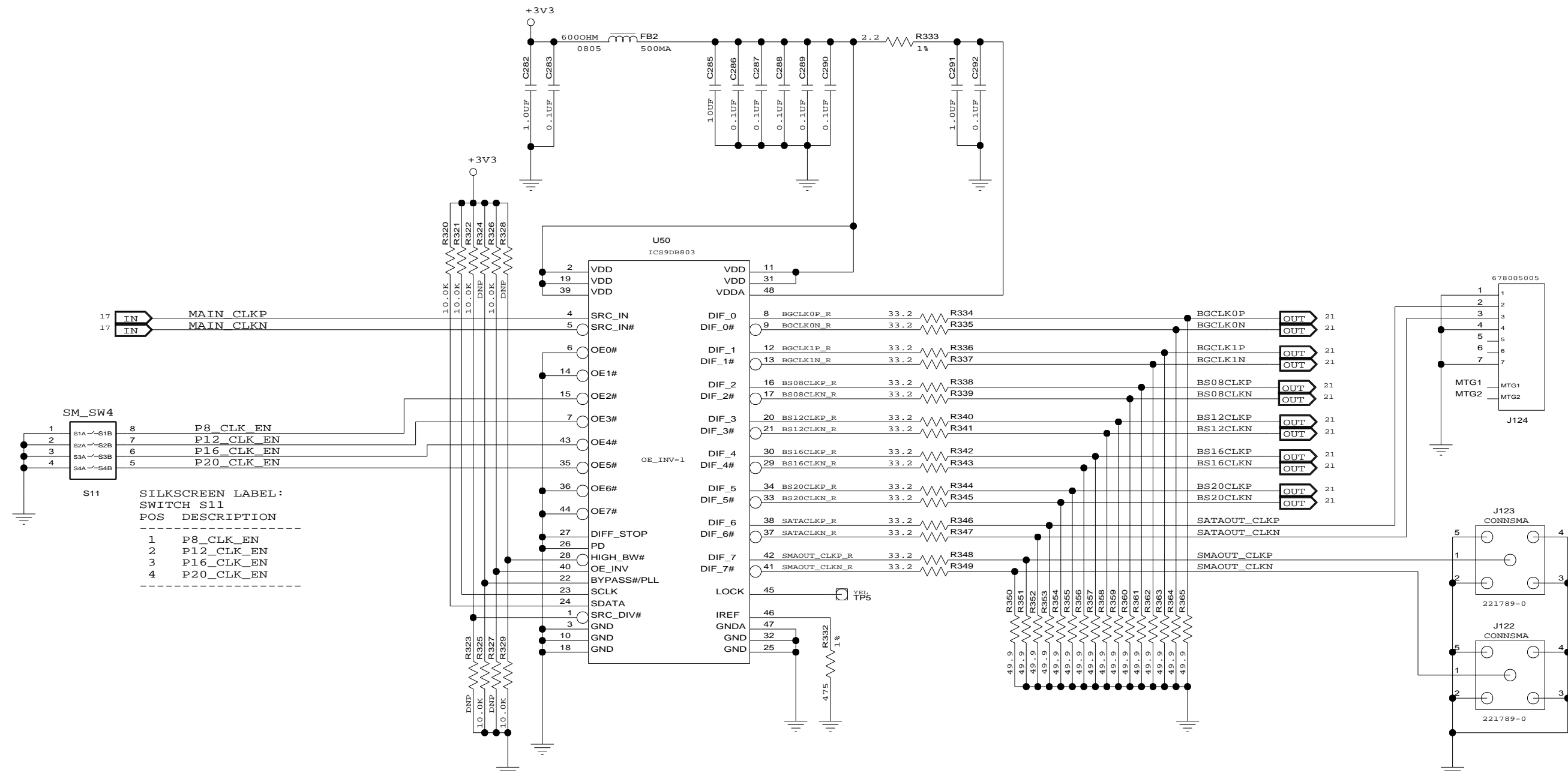
SIZE	DRAWING NO.	FAB P/N	REV.
B	SCH-PESEB-002	18-692-001	2.0
AUTHOR		CHECKED BY	
Tony Tran		Derek Huang	
Thu Jun 10 11:24:47 2010			SHEET 16 OF 41





CONFIDENTIAL PROPERTY OF INTEGRATED DEVICE TECHNOLOGY, INC.
 6024 SILVER CREEK VALLEY ROAD. SAN JOSE, CA 95138
 COPYRIGHT (C) 2010 IDT

TITLE EB-LOGAN-19			
<h2>CLOCK</h2>			
SIZE	DRAWING NO.	FAB P/N	REV.
B	SCH-PESEB-002	18-692-001	2.0
AUTHOR		CHECKED BY	
Tony Tran		Derek Huang	
Thu Jun 10 11:24:48 2010			SHEET 17 OF 41



CONFIDENTIAL PROPERTY OF INTEGRATED DEVICE TECHNOLOGY, INC.
 6024 SILVER CREEK VALLEY ROAD, SAN JOSE, CA 95138
 COPYRIGHT (C) 2010 IDT

TITLE EB-LOGAN-19

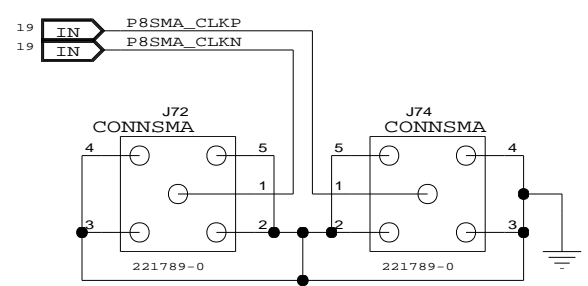
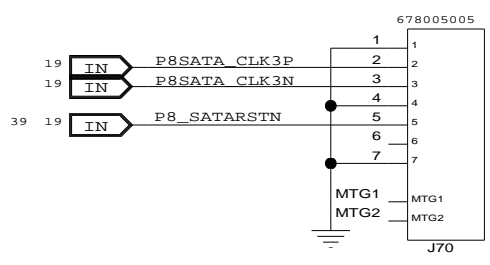
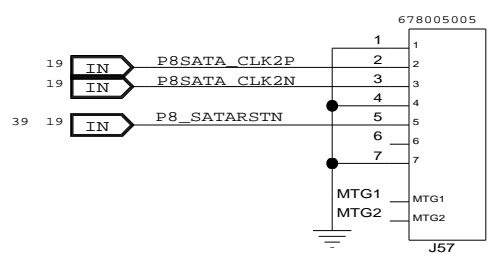
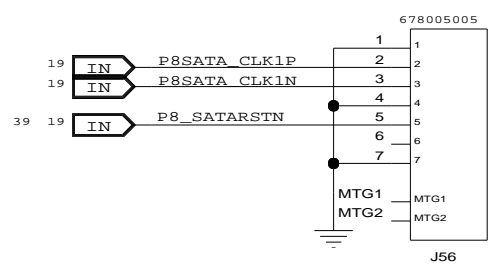
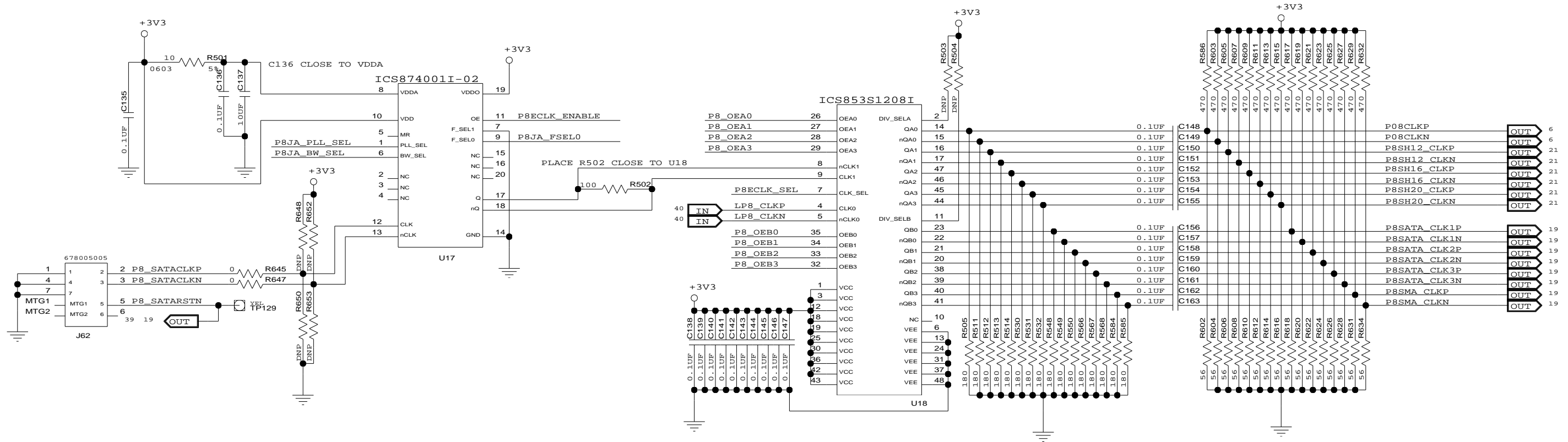
CLOCK BUFFER

SIZE B	DRAWING NO. SCH-PESEB-002	FAB P/N 18-692-001	REV. 2.0
-----------	------------------------------	-----------------------	-------------

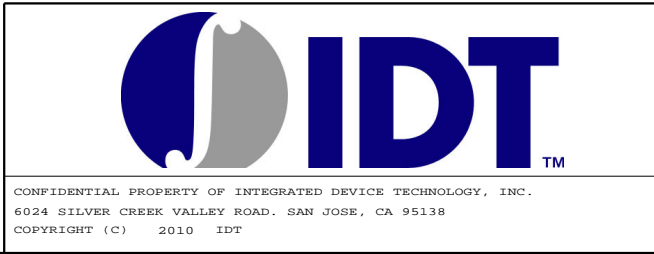
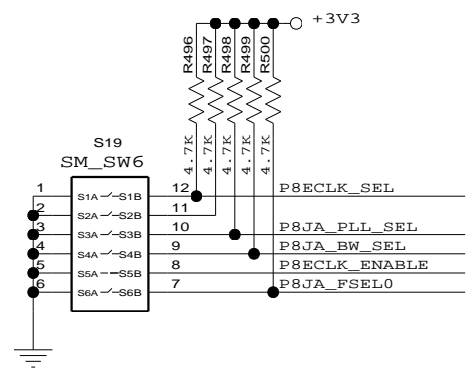
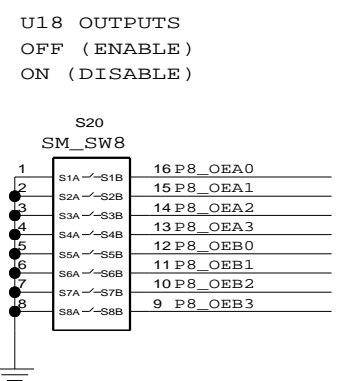
AUTHOR Tony Tran	CHECKED BY Derek Huang
---------------------	---------------------------

Thu Jun 10 11:24:48 2010 SHEET 18 OF 41

P8CLK - DUT PORT 8 CLK
 LP8CLK - LOCAL CLOCK GEN. PORT 8 CLK
 P8SHXCLK - TO SLOT CLK HEADERS

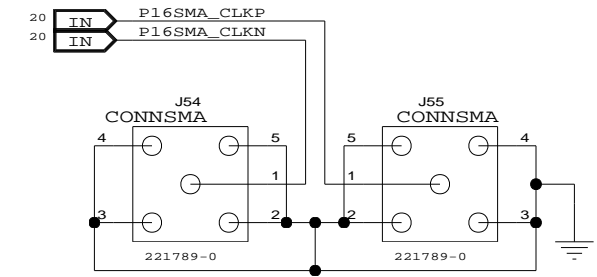
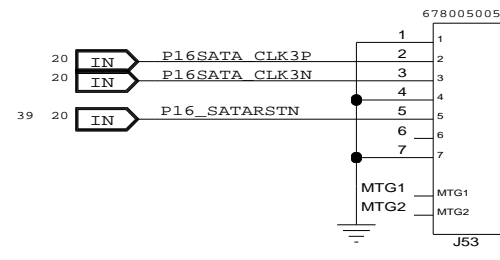
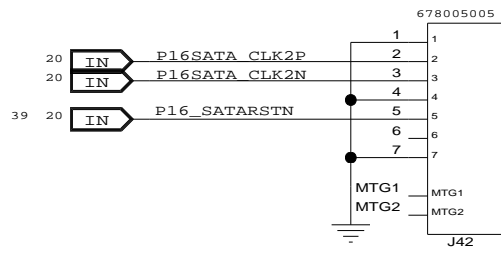
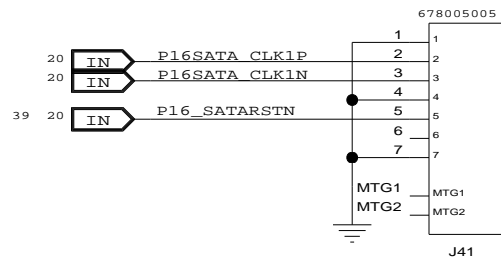
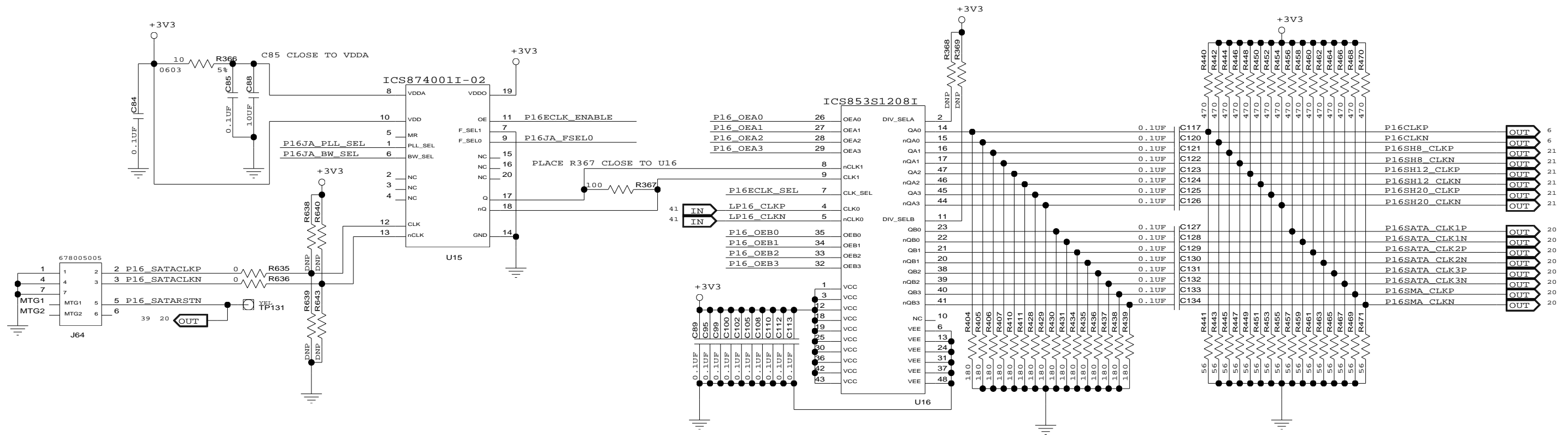


DEFAULT DIPSW SETTING
 S19:1 OFF (SATACLK)
 S19:3 OFF (PLL)
 S19:4 OFF (2.2MHZ)
 S19:5 OFF (U15 OUT ON)
 S19:6 ON (100MHZ)



TITLE EB-LOGAN-19			
CLOCK SELECTOR DUT PCLK 8			
SIZE B	DRAWING NO. SCH-PESEB-002	FAB P/N 18-692-001	REV. 2.0
AUTHOR Tony Tran		CHECKED BY Derek Huang	
Thu Jun 10 11:28:22 2010			SHEET 19 OF 41

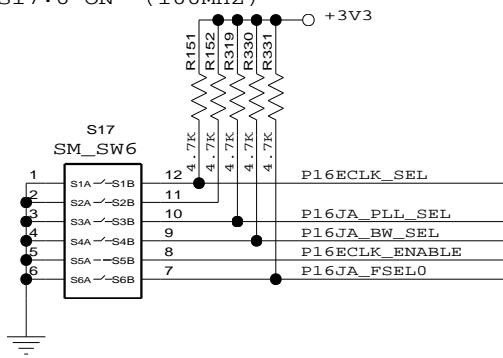
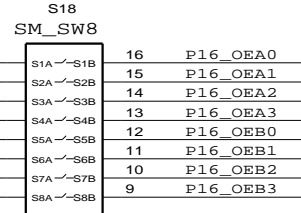
P16CLK - DUT PORT 16 CLK
 LP16CLK - LOCAL CLOCK GEN. PORT 16 CLK
 P16SHXCLK - TO SLOT CLK HEADERS



DEFAULT DIPSW SETTING

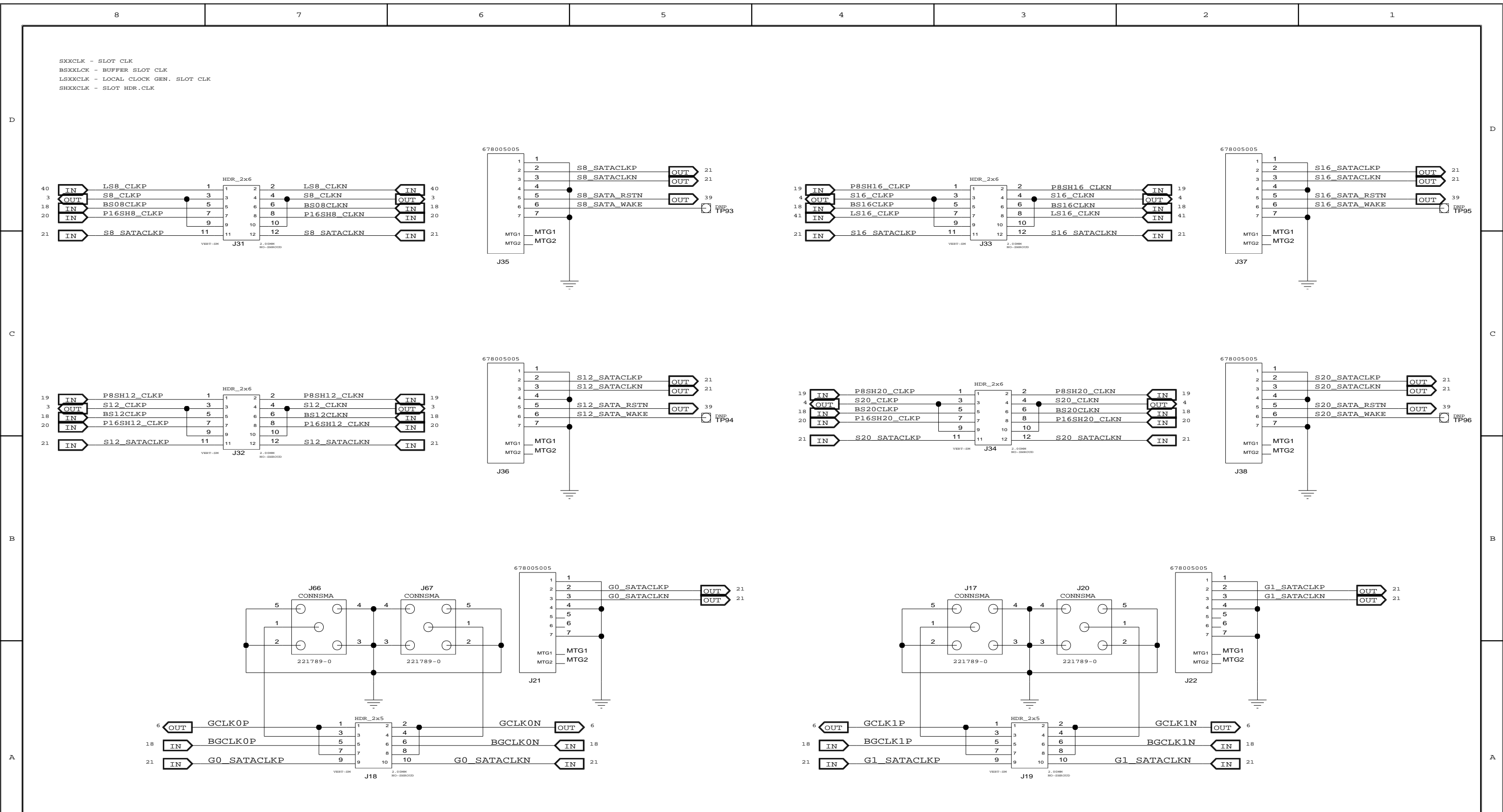
- S17:1 OFF (SATACLK)
- S17:3 OFF (PLL)
- S17:4 OFF (2.2MHZ)
- S17:5 OFF (U15 OUT ON)
- S17:6 ON (100MHZ)


U16 OUTPUTS
 OFF (ENABLE)
 ON (DISABLE)



IDT
 CONFIDENTIAL PROPERTY OF INTEGRATED DEVICE TECHNOLOGY, INC.
 6024 SILVER CREEK VALLEY ROAD. SAN JOSE, CA 95138
 COPYRIGHT (C) 2010 IDT

TITLE EB-LOGAN-19			
CLOCK SELECTOR DUT PCLK 16			
SIZE	DRAWING NO.	FAB P/N	REV.
B	SCH-PESEB-002	18-692-001	2.0
AUTHOR		CHECKED BY	
Tony Tran		Derek Huang	
Thu Jun 10 11:28:19 2010			SHEET 20 OF 41





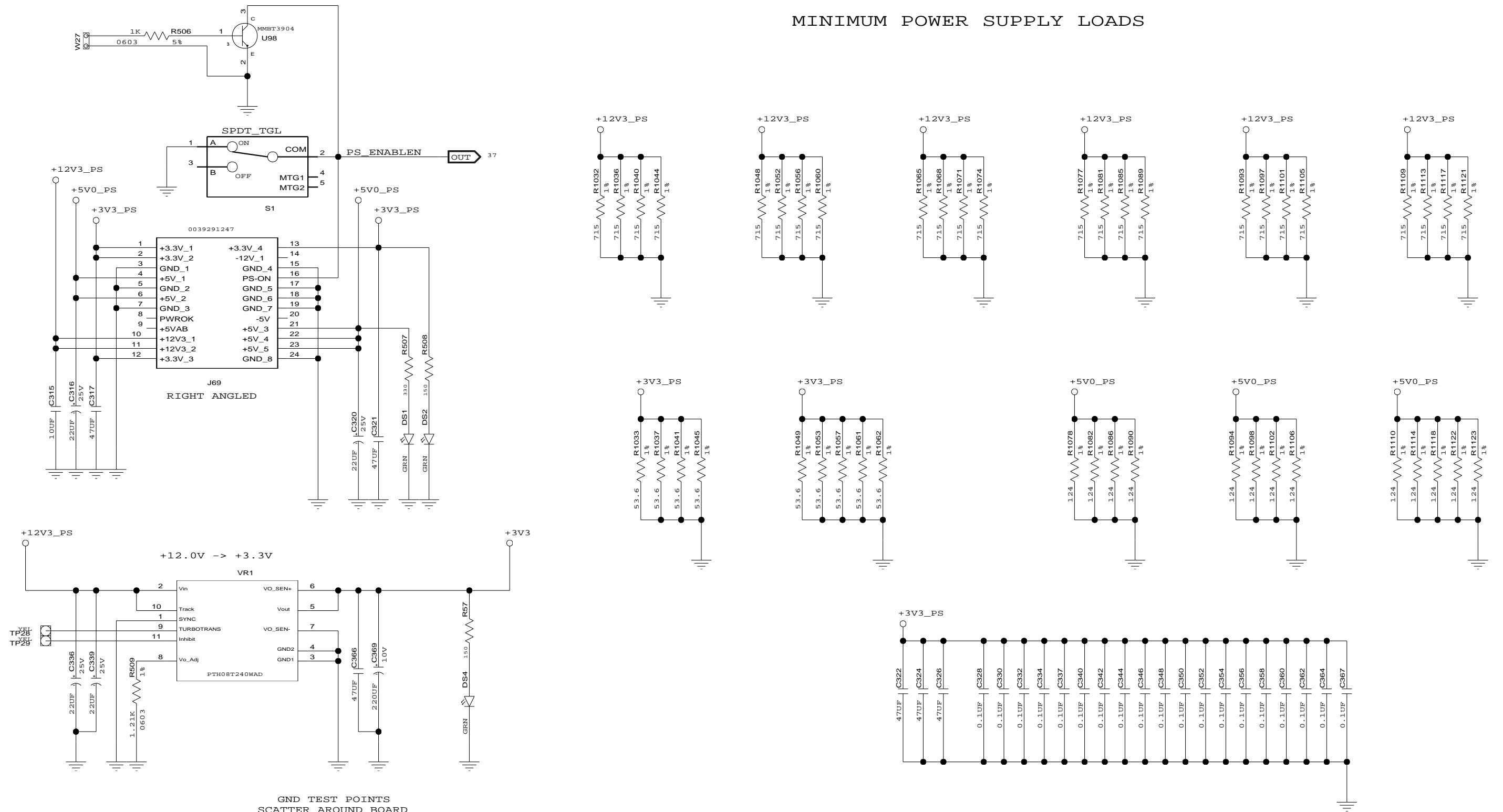
CONFIDENTIAL PROPERTY OF INTEGRATED DEVICE TECHNOLOGY, INC.
 6024 SILVER CREEK VALLEY ROAD, SAN JOSE, CA 95138
 COPYRIGHT (C) 2010 IDT

TITLE EB-LOGAN-19

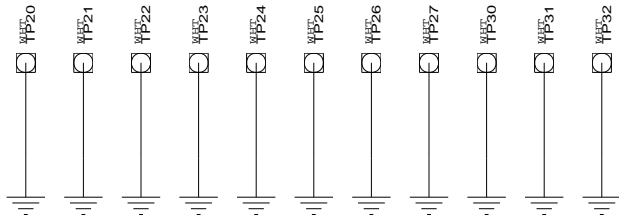
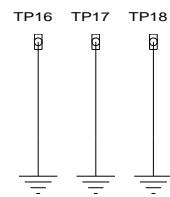
CLOCK SELECTOR SLOTS 8-20, GCLK

SIZE	DRAWING NO.	FAB P/N	REV.
B	SCH-PESEB-002	18-692-001	2.0
AUTHOR		CHECKED BY	
Tony Tran		Derek Huang	
Thu Jun 10 11:24:49 2010			SHEET 21 OF 41

MINIMUM POWER SUPPLY LOADS

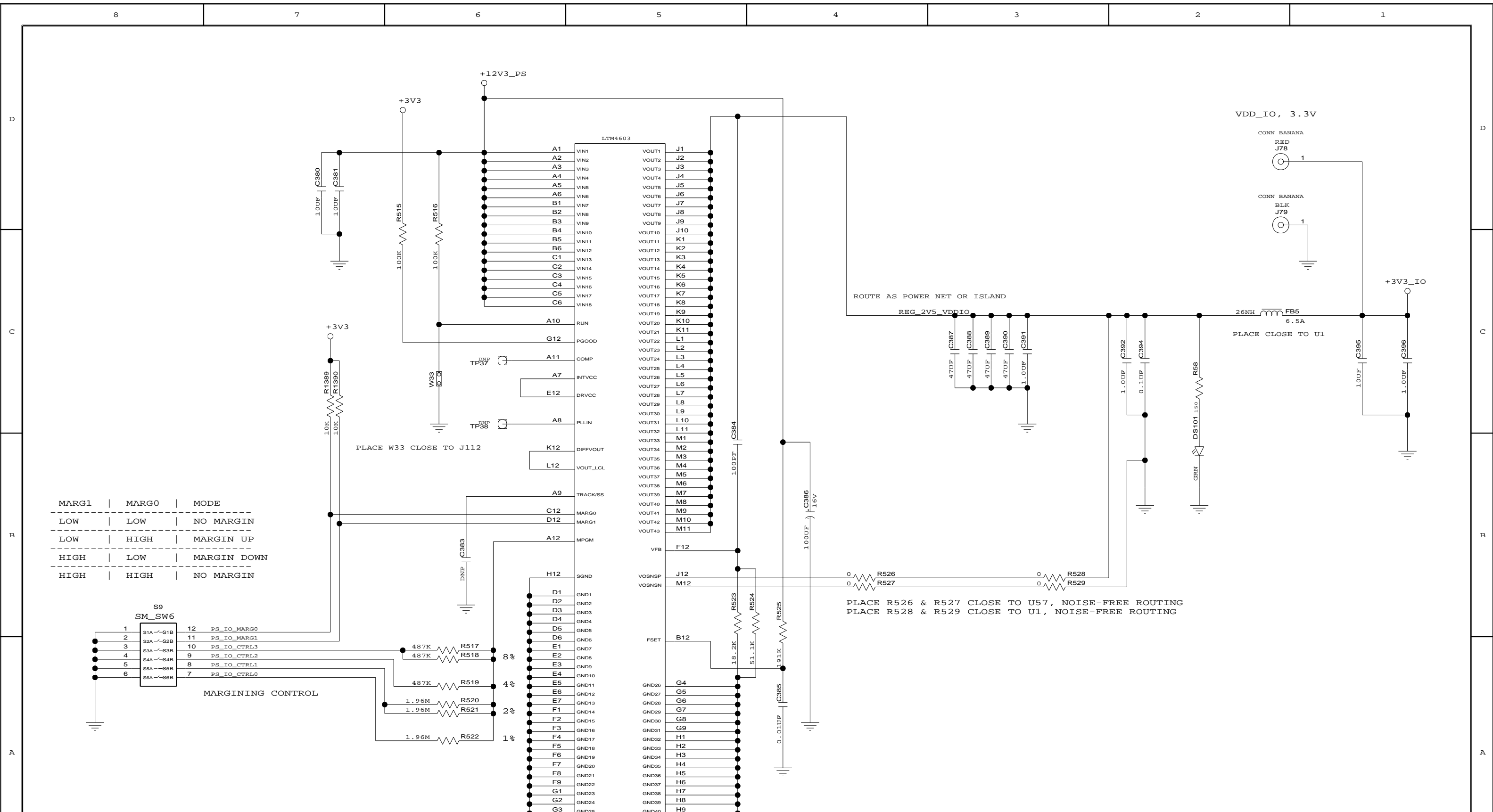


GND TEST POINTS
SCATTER AROUND BOARD



CONFIDENTIAL PROPERTY OF INTEGRATED DEVICE TECHNOLOGY, INC.
6024 SILVER CREEK VALLEY ROAD. SAN JOSE, CA 95138
COPYRIGHT (C) 2010 IDT


TITLE EB-LOGAN-19			
POWER CONNECTORS, MIN LOAD RESISTORS			
SIZE	DRAWING NO.	FAB P/N	REV.
B	SCH-PESEB-002	18-692-001	2.0
AUTHOR		CHECKED BY	
Tony Tran		Derek Huang	
Thu Jun 10 11:24:50 2010			SHEET 22 OF 41



MARG1	MARG0	MODE
LOW	LOW	NO MARGIN
LOW	HIGH	MARGIN UP
HIGH	LOW	MARGIN DOWN
HIGH	HIGH	NO MARGIN

MARGINING CONTROL

PLACE R526 & R527 CLOSE TO U57, NOISE-FREE ROUTING
 PLACE R528 & R529 CLOSE TO U1, NOISE-FREE ROUTING

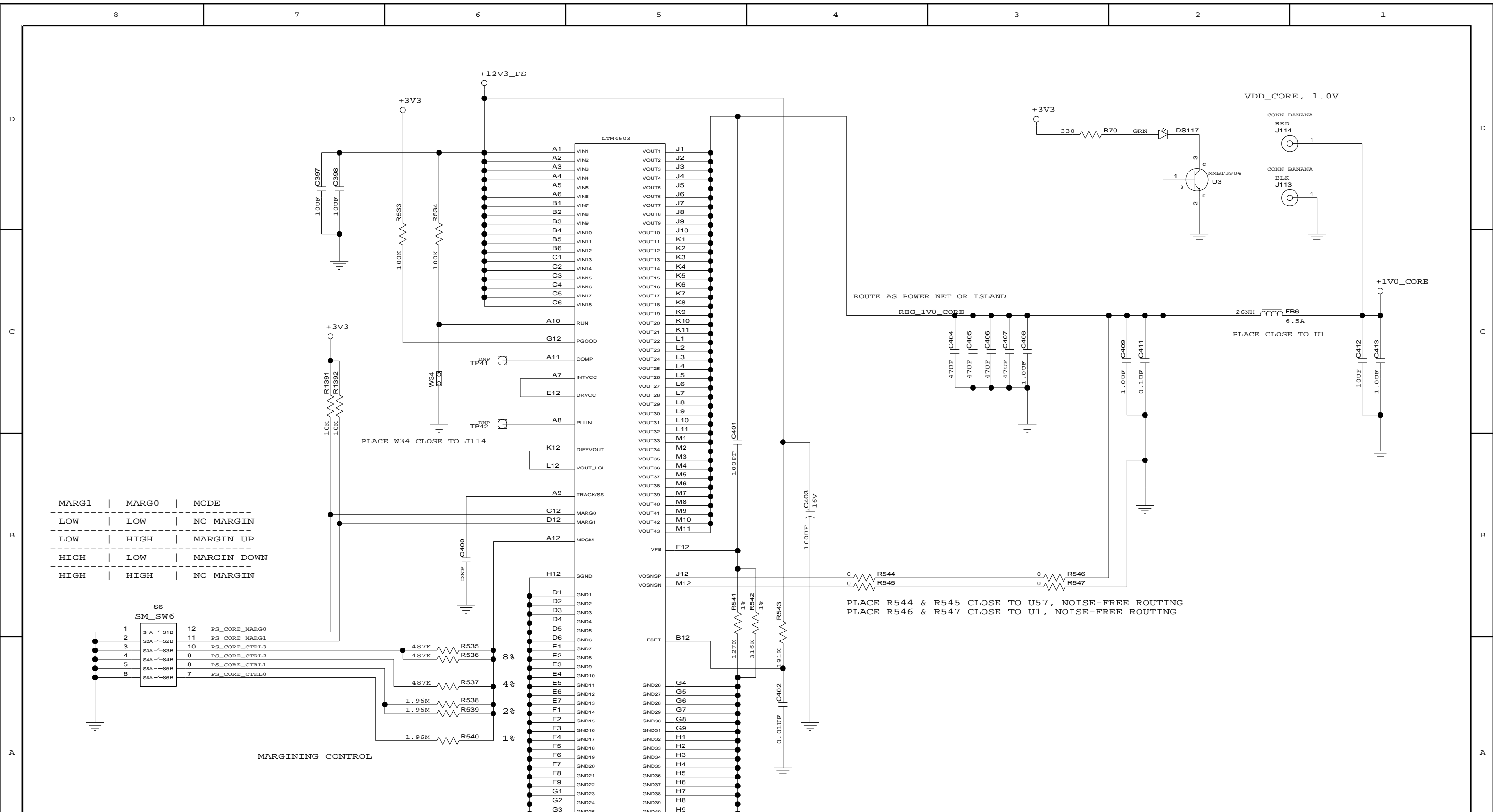


CONFIDENTIAL PROPERTY OF INTEGRATED DEVICE TECHNOLOGY, INC.
 6024 SILVER CREEK VALLEY ROAD, SAN JOSE, CA 95138
 COPYRIGHT (C) 2010 IDT

TITLE EB-LOGAN-19

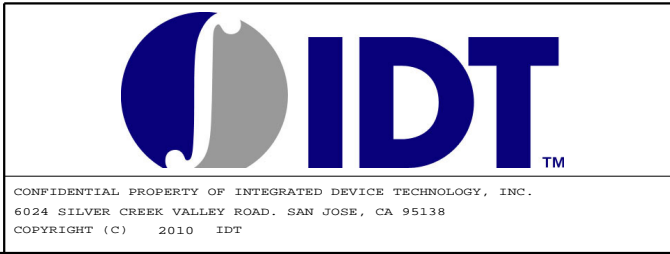
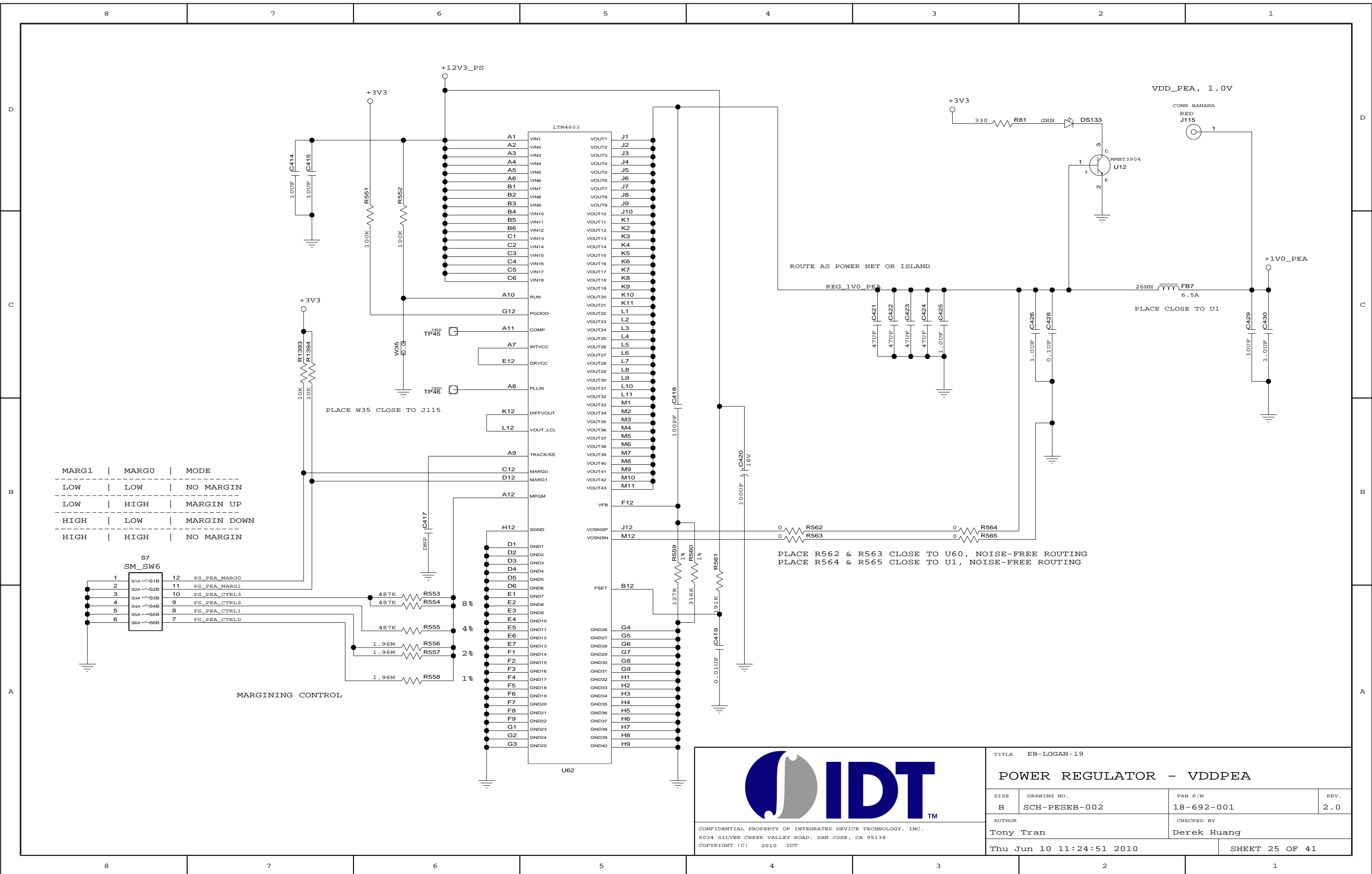
POWER REGULATOR - VDDIO

SIZE	DRAWING NO.	FAB P/N	REV.
B	SCH-PESEB-002	18-692-001	2.0
AUTHOR		CHECKED BY	
Tony Tran		Derek Huang	
Thu Jun 10 11:24:50 2010			SHEET 23 OF 41

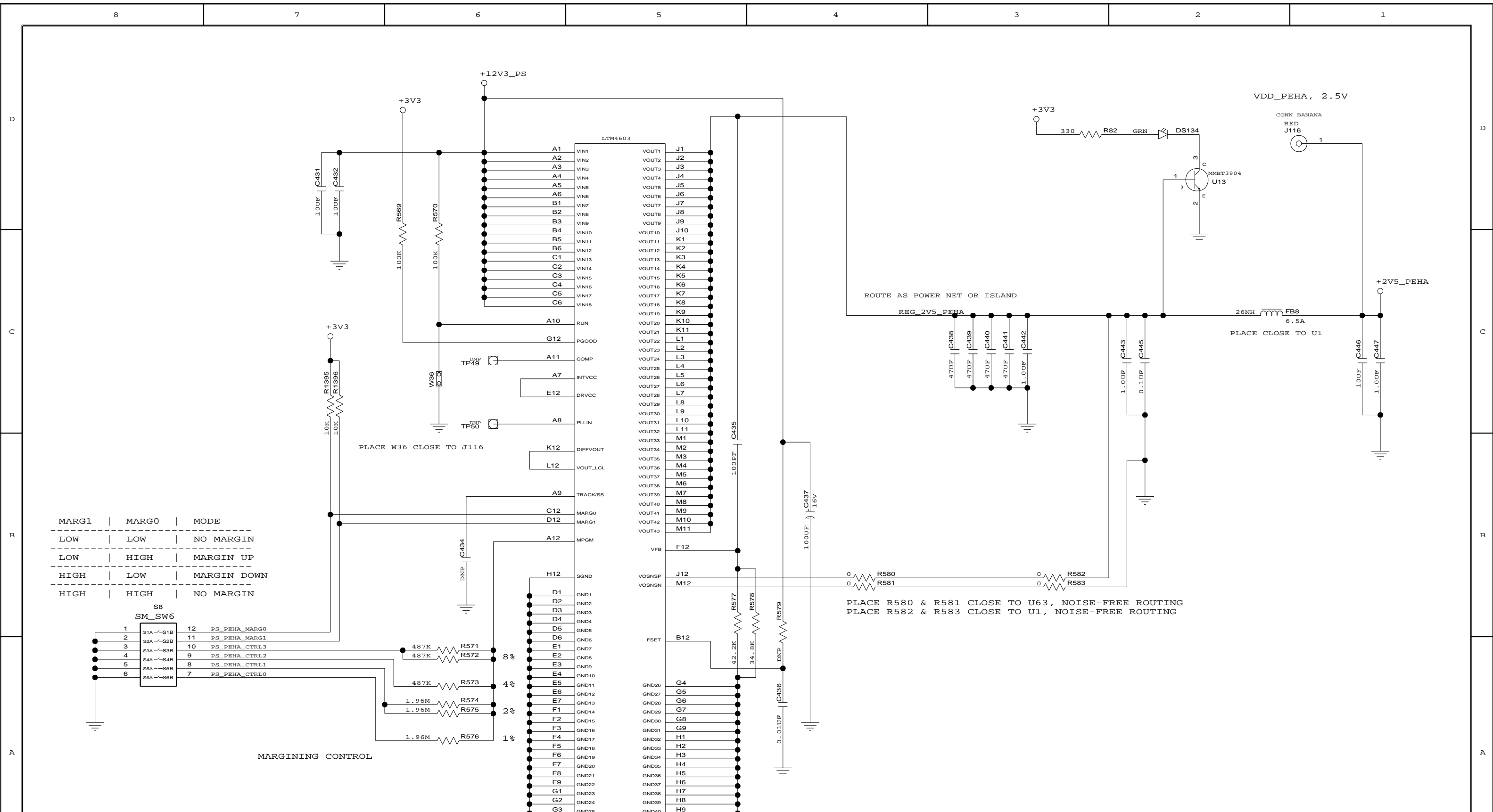



CONFIDENTIAL PROPERTY OF INTEGRATED DEVICE TECHNOLOGY, INC.
6024 SILVER CREEK VALLEY ROAD, SAN JOSE, CA 95138
COPYRIGHT (C) 2010 IDT

TITLE EB-LOGAN-19			
POWER REGULATOR - VDDCORE			
SIZE	DRAWING NO.	FAB P/N	REV.
B	SCH-PESEB-002	18-692-001	2.0
AUTHOR		CHECKED BY	
Tony Tran		Derek Huang	
Thu Jun 10 11:24:51 2010			SHEET 24 OF 41



TITLE EB-LOGAN-19			
POWER REGULATOR - VDDPEA			
SIZE	DRAWING NO.	FAB P/N	REV.
B	SCH-PESEB-002	18-692-001	2.0
AUTHOR		CHECKED BY	
Tony Tran		Derek Huang	
Thu Jun 10 11:24:51 2010			SHEET 25 OF 41





IDTTM

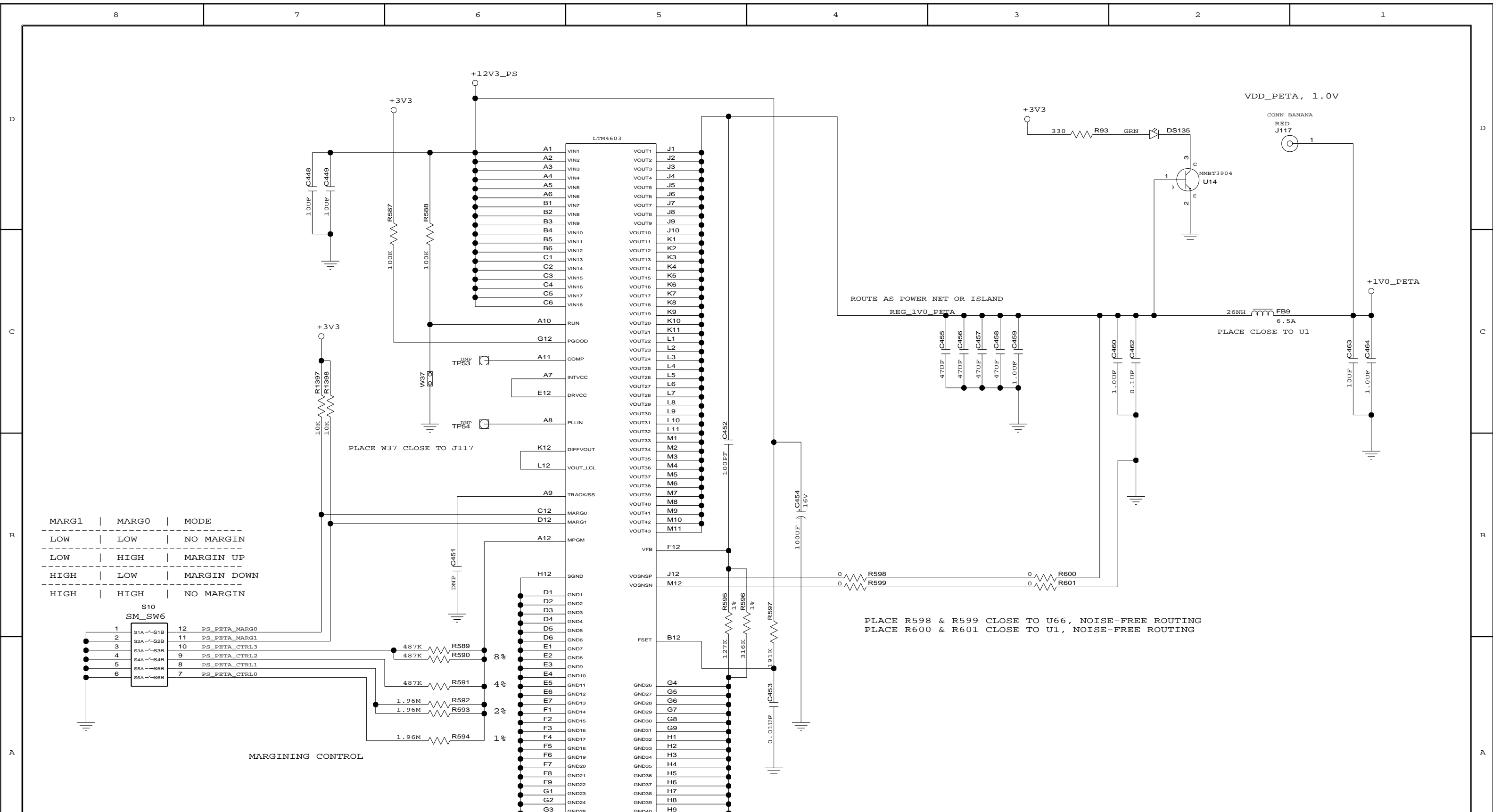
TITLE EB-LOGAN-19

POWER REGULATOR - VDDPEHA

SIZE	DRAWING NO.	FAB P/N	REV.
B	SCH-PESEB-002	18-692-001	2.0
AUTHOR		CHECKED BY	
Tony Tran		Derek Huang	

CONFIDENTIAL PROPERTY OF INTEGRATED DEVICE TECHNOLOGY, INC.
6024 SILVER CREEK VALLEY ROAD. SAN JOSE, CA 95138
COPYRIGHT (C) 2010 IDT


Thu Jun 10 11:24:51 2010



MARG1	MARG0	MODE
LOW	LOW	NO MARGIN
LOW	HIGH	MARGIN UP
HIGH	LOW	MARGIN DOWN
HIGH	HIGH	NO MARGIN

MARGINING CONTROL

PLACE R598 & R599 CLOSE TO U66, NOISE-FREE ROUTING
PLACE R600 & R601 CLOSE TO U1, NOISE-FREE ROUTING

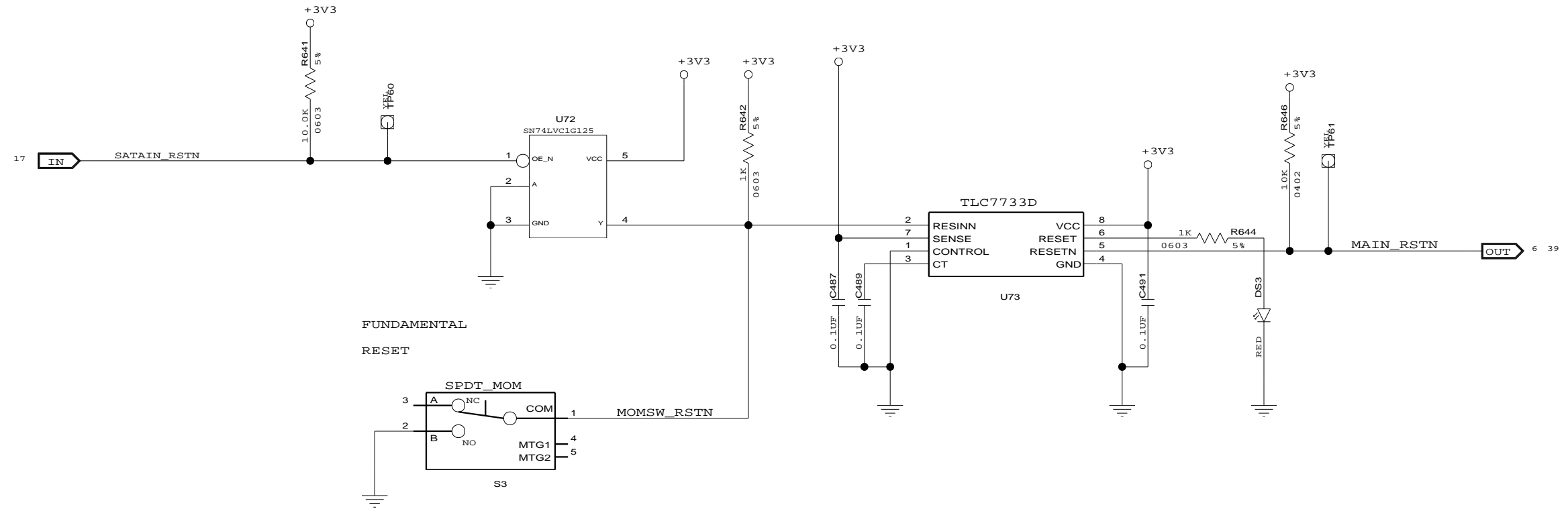


TITLE EB-LOGAN-19

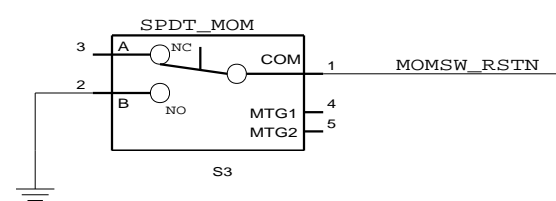
POWER REGULATOR - VDDPETA

SIZE	DRAWING NO.	FAB P/N	REV.
B	SCH-PESEB-002	18-692-001	2.0
AUTHOR		CHECKED BY	
Tony Tran		Derek Huang	
Thu Jun 10 11:24:52 2010			SHEET 27 OF 41

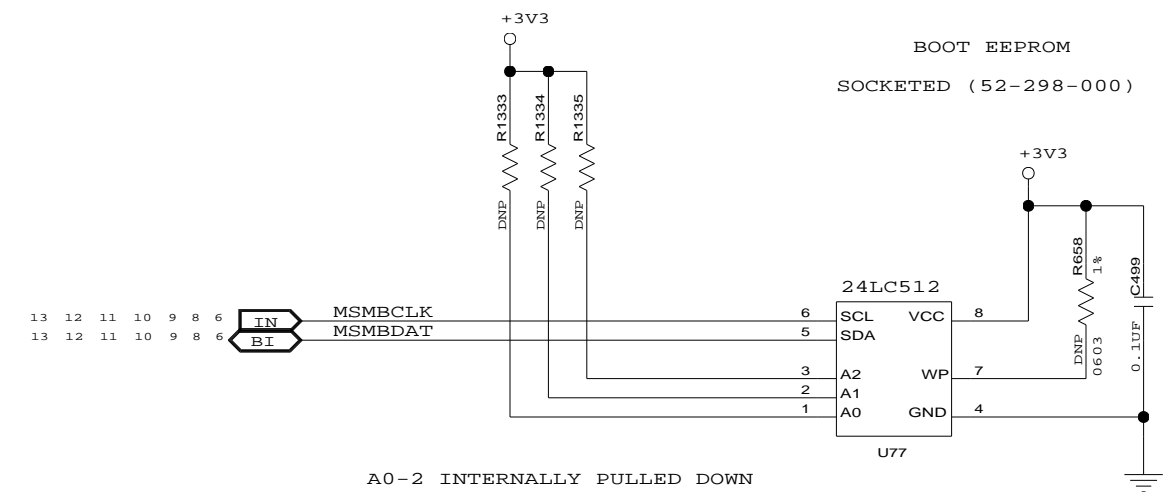
CONFIDENTIAL PROPERTY OF INTEGRATED DEVICE TECHNOLOGY, INC.
6024 SILVER CREEK VALLEY ROAD, SAN JOSE, CA 95138
COPYRIGHT (C) 2010 IDT



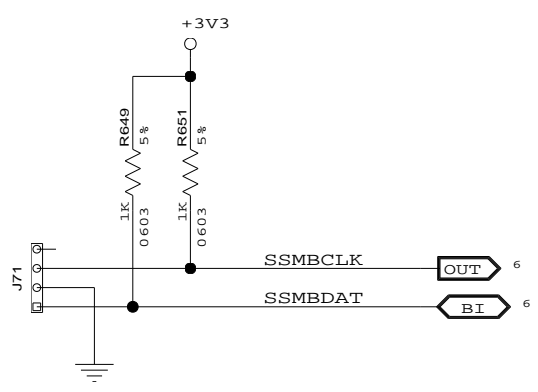
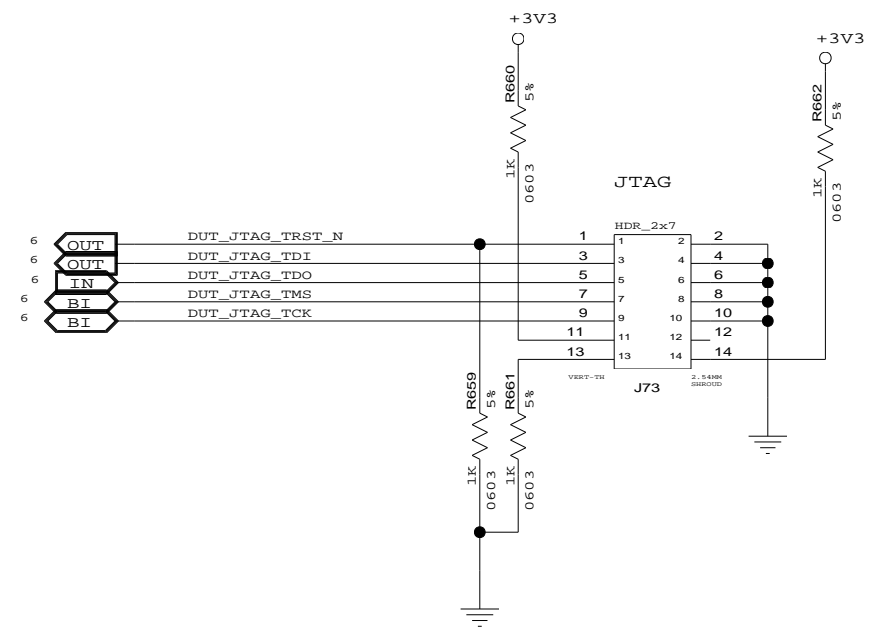
FUNDAMENTAL
RESET



BOOT EEPROM
SOCKETED (52-298-000)

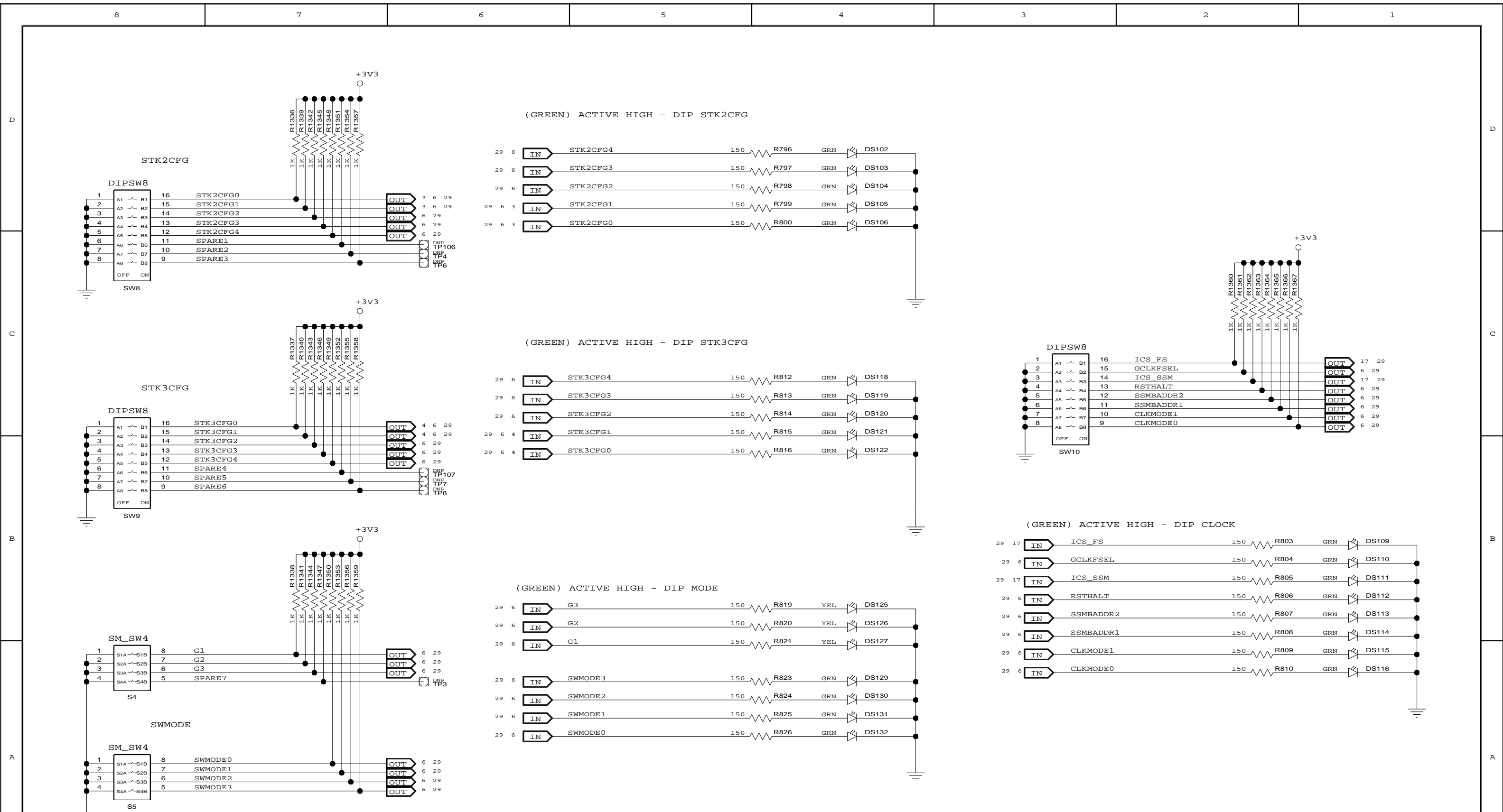



A0-2 INTERNALLY PULLED DOWN



CONFIDENTIAL PROPERTY OF INTEGRATED DEVICE TECHNOLOGY, INC.
6024 SILVER CREEK VALLEY ROAD, SAN JOSE, CA 95138
COPYRIGHT (C) 2010 IDT

TITLE EB-LOGAN-19			
RESET, SMBUS, EEPROM, JTAG			
SIZE	DRAWING NO.	FAB P/N	REV.
B	SCH-PESEB-002	18-692-001	2.0
AUTHOR		CHECKED BY	
Tony Tran		Derek Huang	
Thu Jun 10 11:24:52 2010			SHEET 28 OF 41



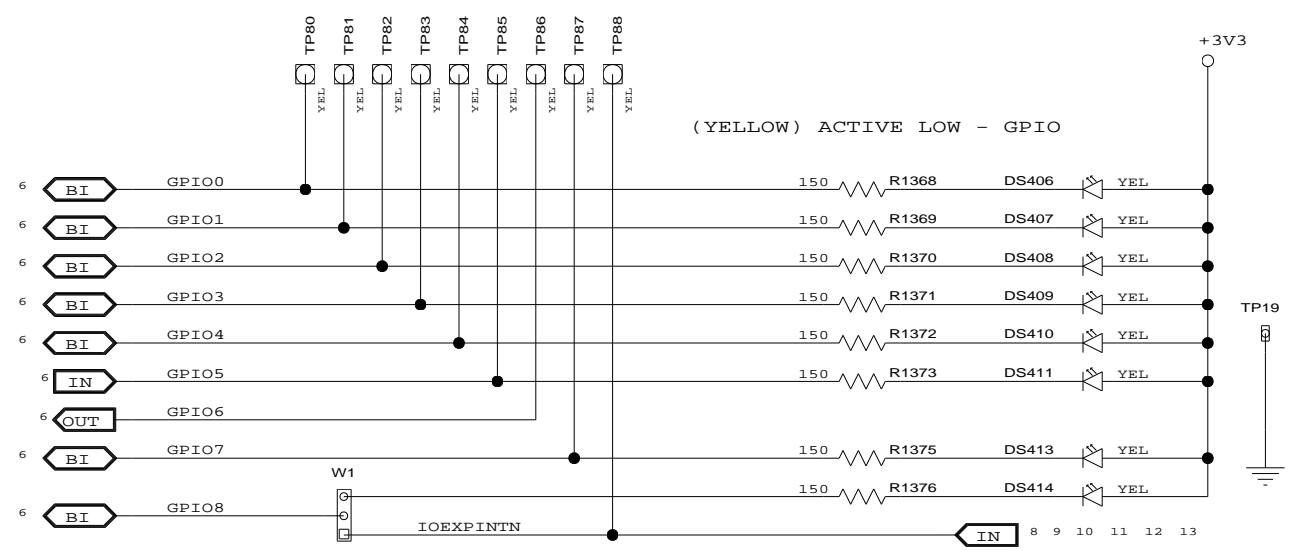


CONFIDENTIAL PROPERTY OF INTEGRATED DEVICE TECHNOLOGY, INC.
6024 SILVER CREEK VALLEY ROAD, SAN JOSE, CA 95138
COPYRIGHT (C) 2010 IDT

TITLE EB-LOGAN-19

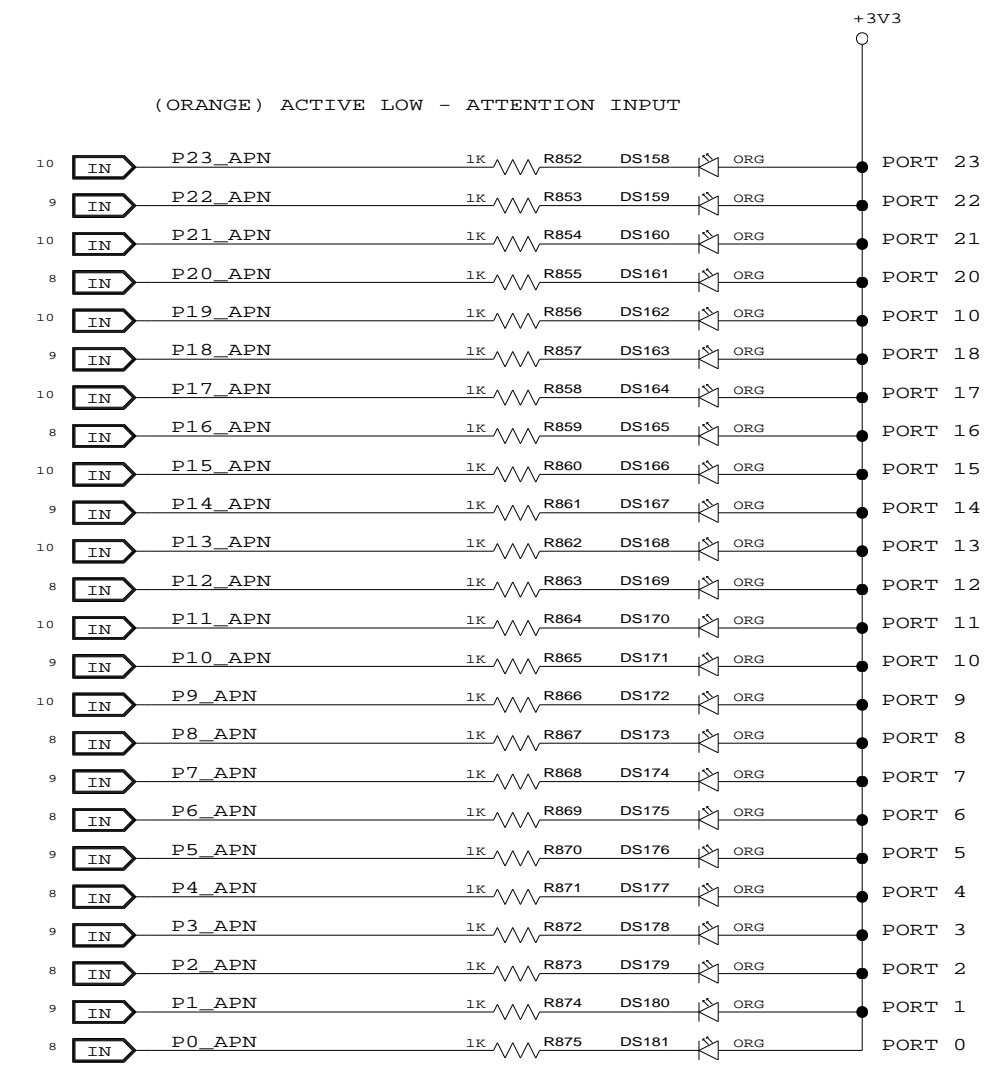
DIP SWITCHES

SIZE	DRAWING NO.	FAB P/N	REV.
B	SCH-PESEB-002	18-692-001	2.0
AUTHOR		CHECKED BY	
Tony Tran		Derek Huang	
Thu Jun 10 11:24:52 2010			SHEET 29 OF 41

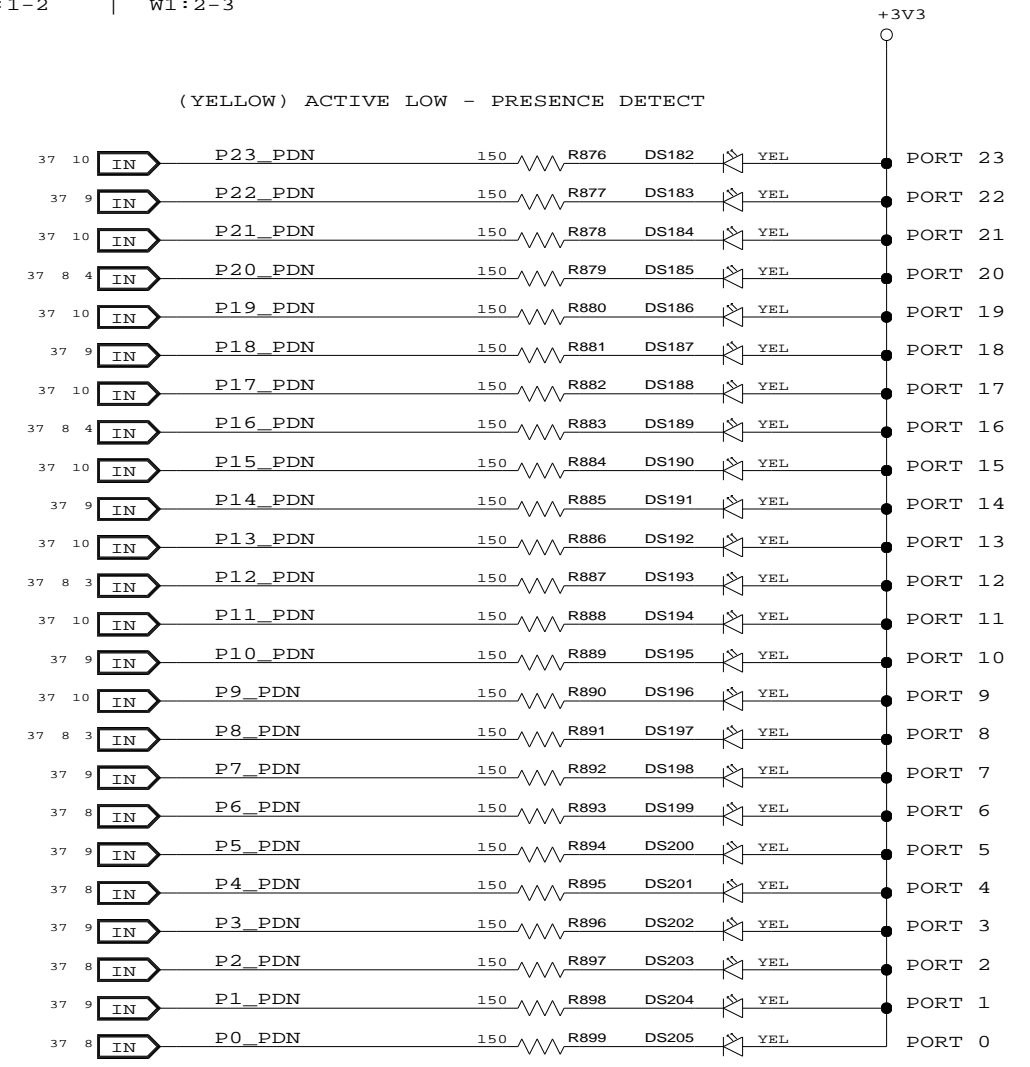


GPIO	ALT0	ALT1
0	PART0PERSTN	P16LINKUPN
1	PART1PERSTN	P16ACTIVEN
2	PART2PERSTN	P4LINKUPN
3	PART3PERSTN	P4ACTIVEN
4	FAILOVER0	P0LINKUPN
5	GPEN	P0ACTIVEN
6	FAILOVER1	FAILOVER3
7	FAILOVER2	P8LINKUPN
8	IOEXPINTN W1:1-2	P8ACTIVEN W1:2-3

(ORANGE) ACTIVE LOW - ATTENTION INPUT



(YELLOW) ACTIVE LOW - PRESENCE DETECT



CONFIDENTIAL PROPERTY OF INTEGRATED DEVICE TECHNOLOGY, INC.
6024 SILVER CREEK VALLEY ROAD, SAN JOSE, CA 95138
COPYRIGHT (C) 2010 IDT

TITLE EB-LOGAN-19			
LED - PORT STATUS (1 OF 7)			
SIZE B	DRAWING NO. SCH-PESEB-002	FAB P/N 18-692-001	REV. 2.0
AUTHOR Tony Tran		CHECKED BY Derek Huang	
Thu Jun 10 11:24:53 2010			SHEET 30 OF 41

D

D

C

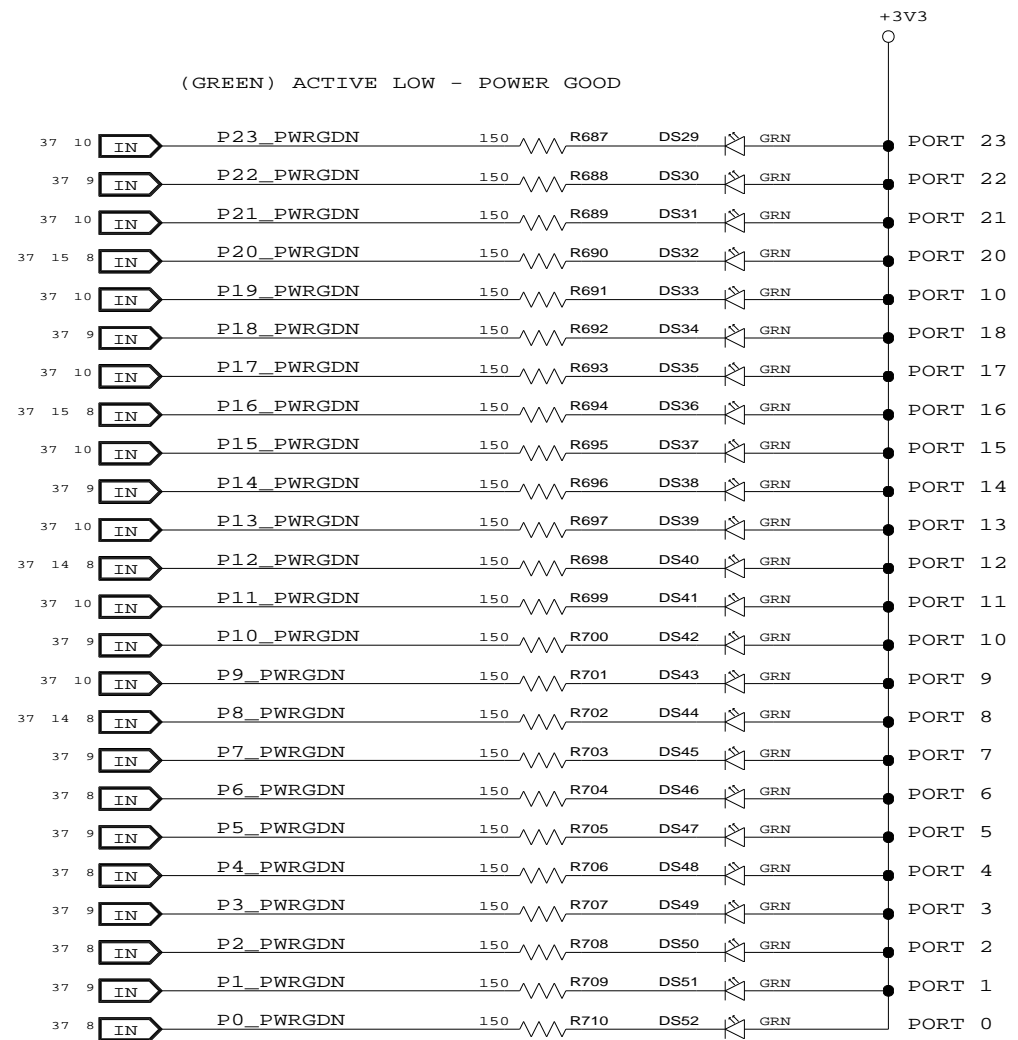
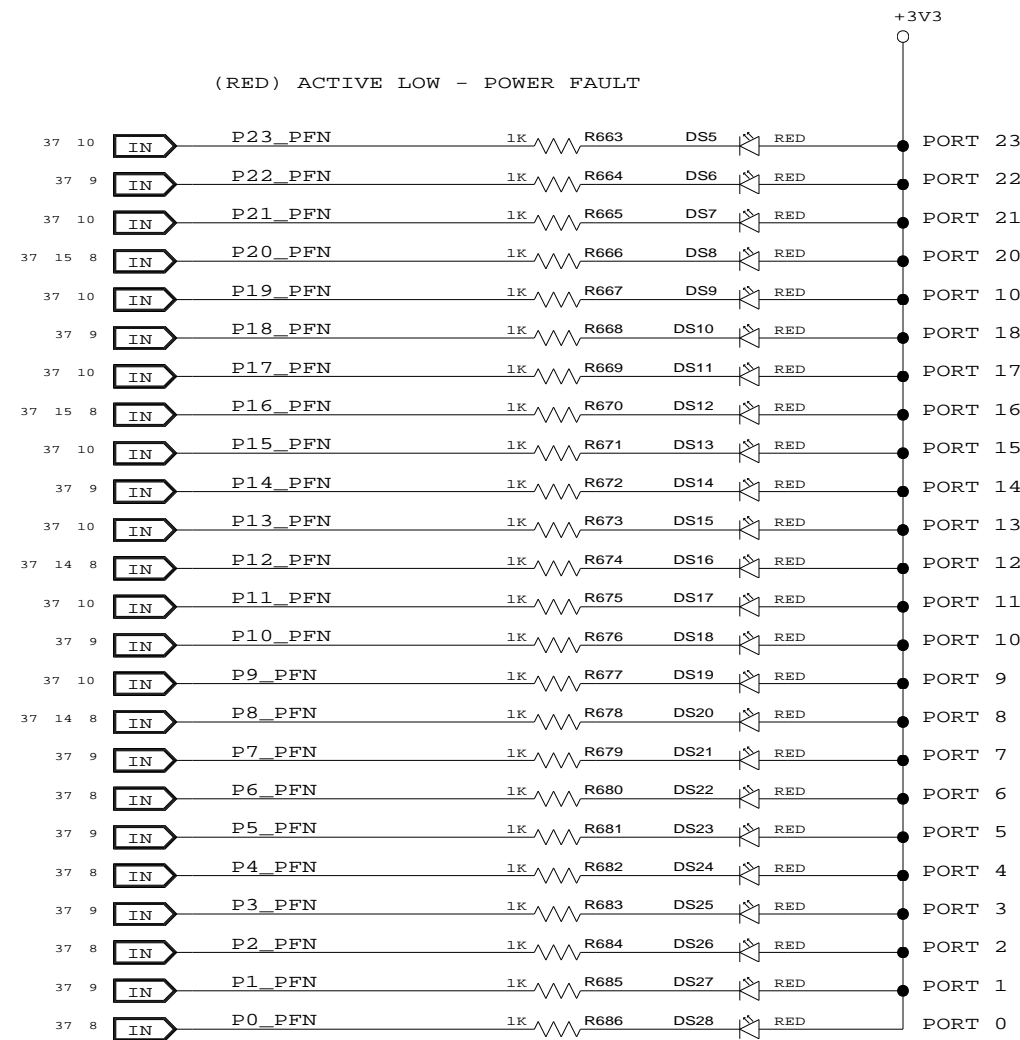
C

B

B

A

A



CONFIDENTIAL PROPERTY OF INTEGRATED DEVICE TECHNOLOGY, INC.
 6024 SILVER CREEK VALLEY ROAD. SAN JOSE, CA 95138
 COPYRIGHT (C) 2010 IDT

TITLE EB-LOGAN-19

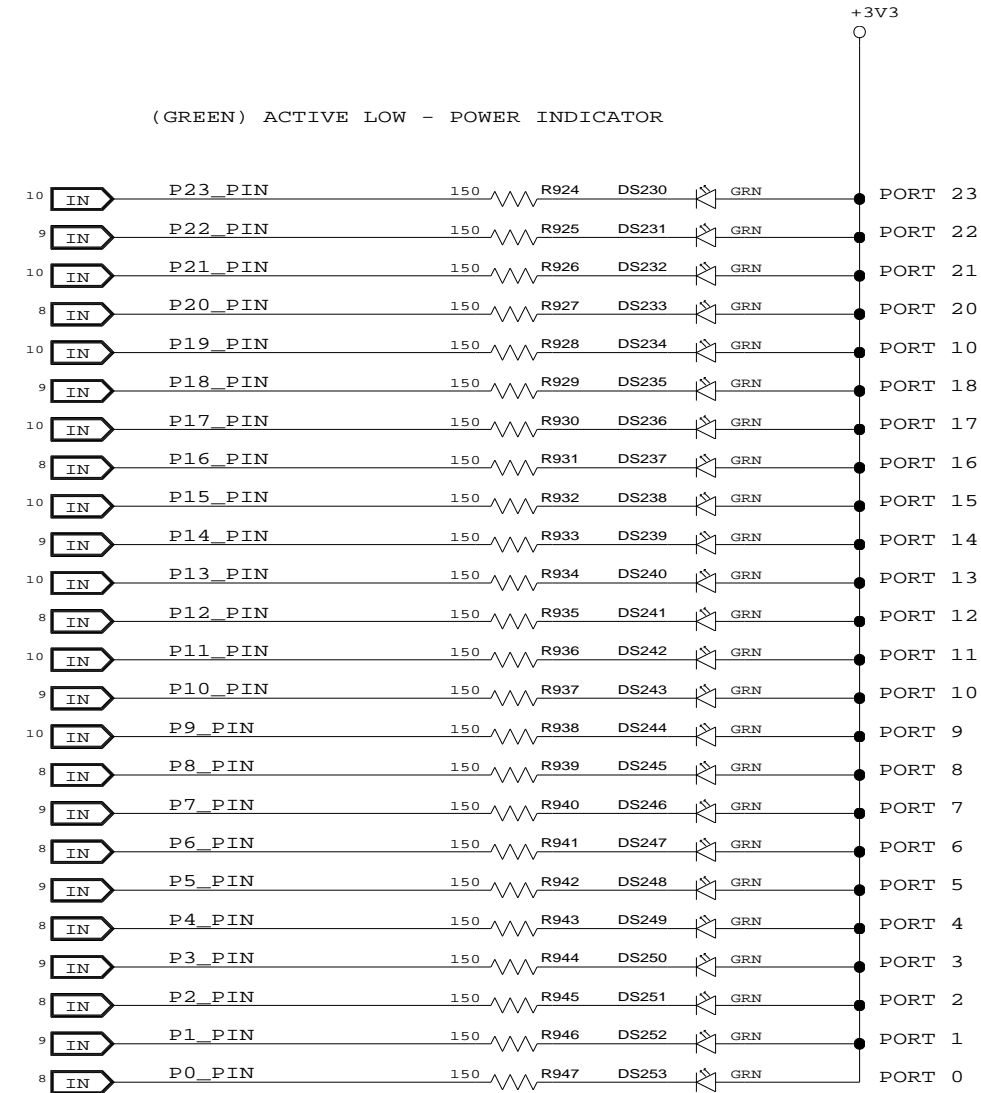
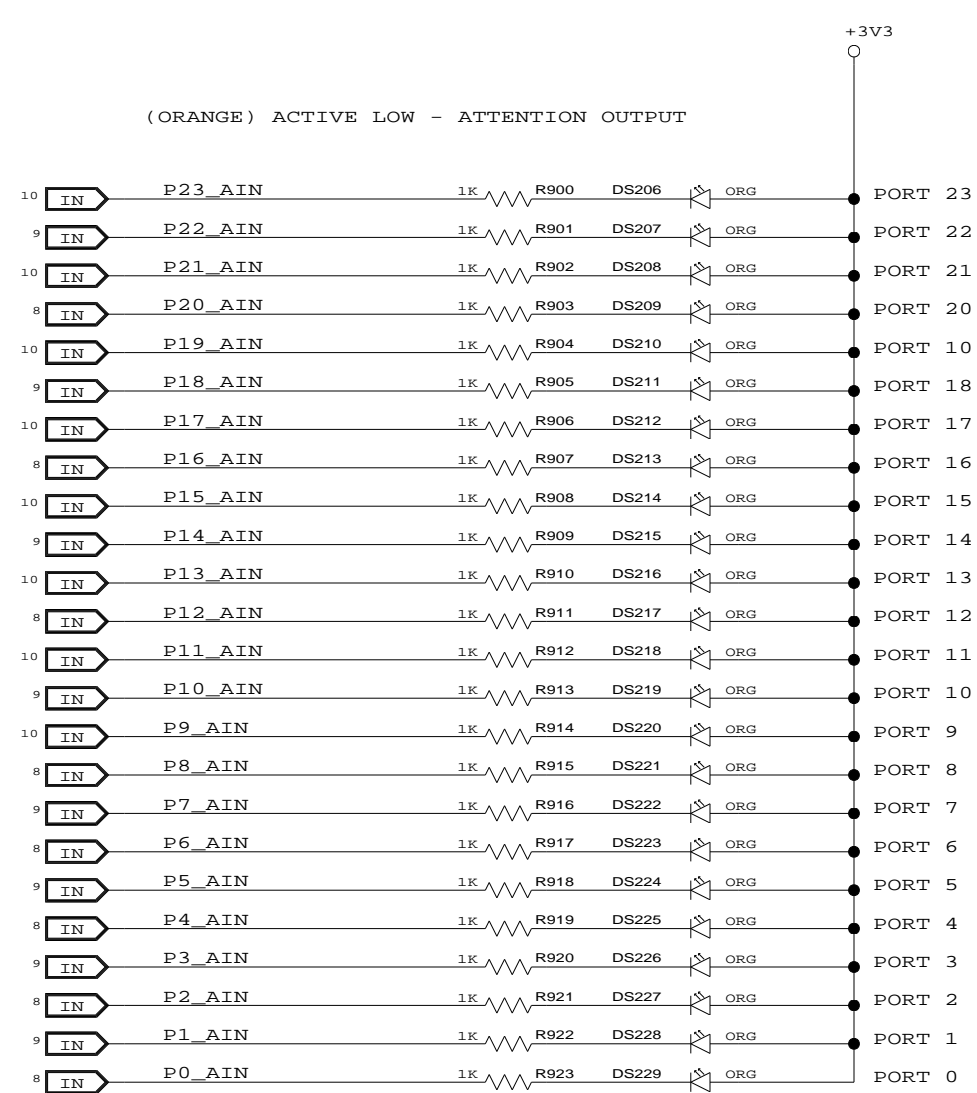
LED - PORT STATUS (2 OF 7)

SIZE B	DRAWING NO. SCH-PESEB-002	FAB P/N 18-692-001	REV. 2.0
-----------	------------------------------	-----------------------	-------------

AUTHOR Tony Tran	CHECKED BY Derek Huang
---------------------	---------------------------

Thu Jun 10 11:24:53 2010

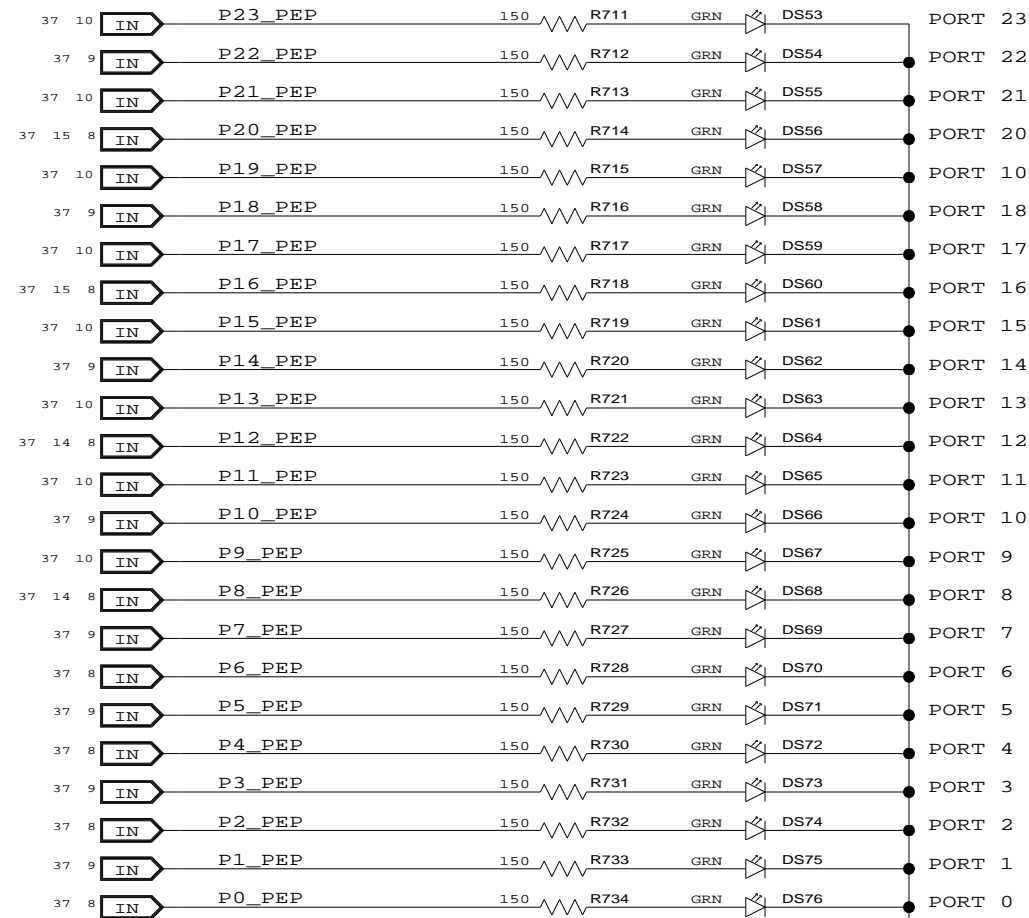
SHEET 31 OF 41



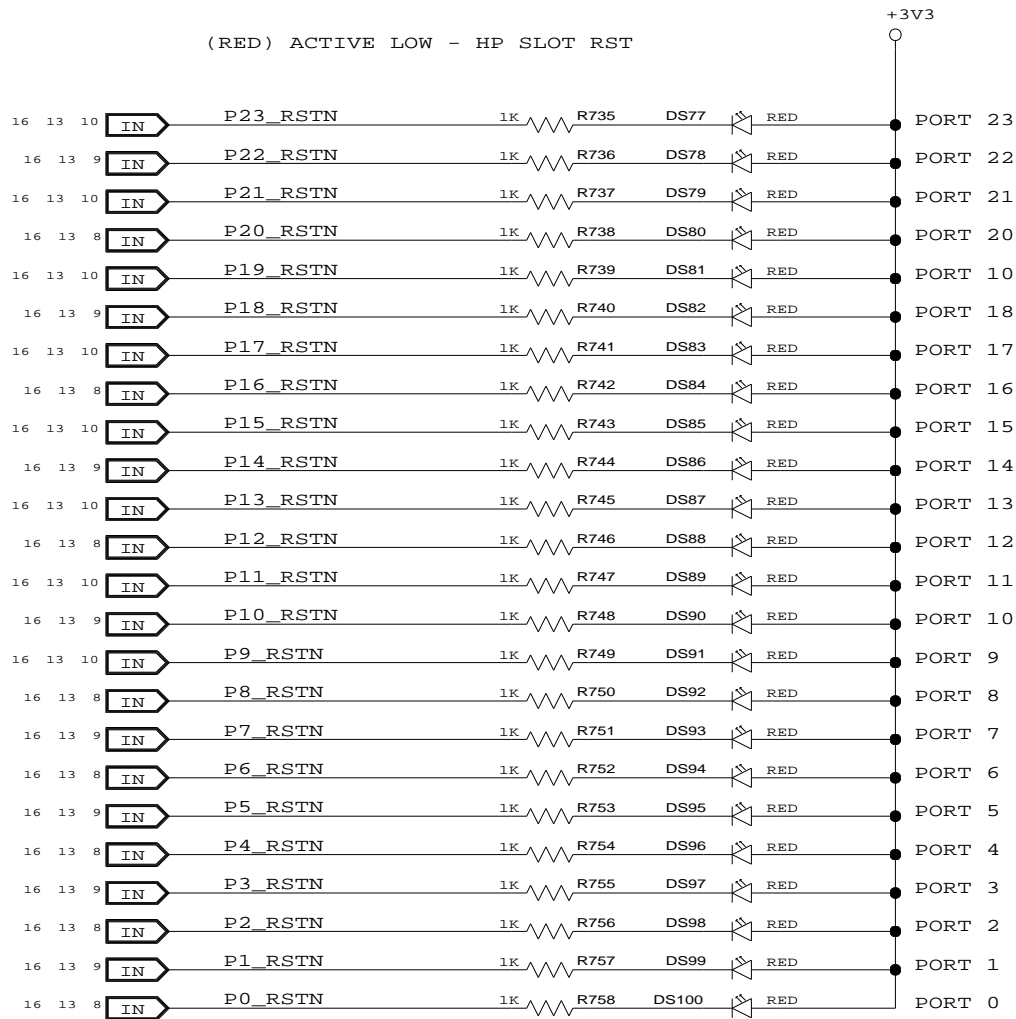
CONFIDENTIAL PROPERTY OF INTEGRATED DEVICE TECHNOLOGY, INC.
6024 SILVER CREEK VALLEY ROAD, SAN JOSE, CA 95138
COPYRIGHT (C) 2010 IDT

TITLE EB-LOGAN-19			
LED - PORT STATUS (3 OF 7)			
SIZE B	DRAWING NO. SCH-PESEB-002	FAB P/N 18-692-001	REV. 2.0
AUTHOR Tony Tran		CHECKED BY Derek Huang	
Thu Jun 10 11:24:53 2010			SHEET 32 OF 41

(GREEN) ACTIVE HIGH - POWER ENABLE



(RED) ACTIVE LOW - HP SLOT RST



CONFIDENTIAL PROPERTY OF INTEGRATED DEVICE TECHNOLOGY, INC.
6024 SILVER CREEK VALLEY ROAD, SAN JOSE, CA 95138
COPYRIGHT (C) 2010 IDT

TITLE EB-LOGAN-19

LED - PORT STATUS (4 OF 7)

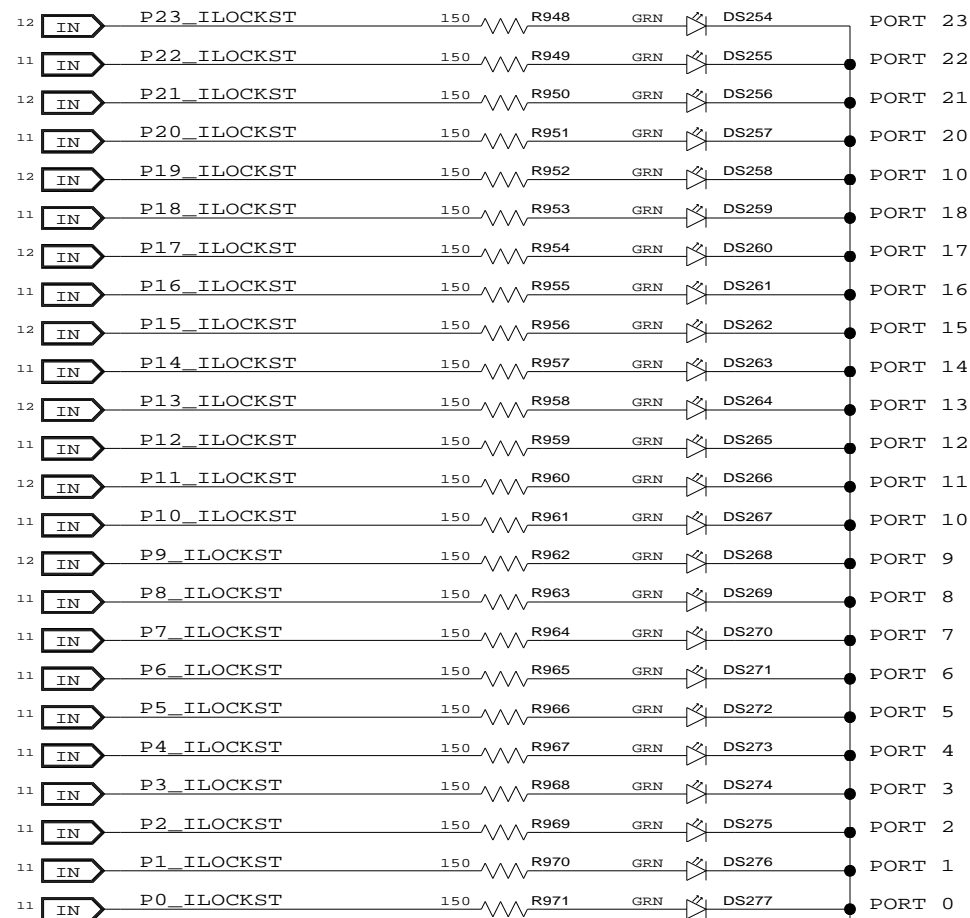
SIZE B	DRAWING NO. SCH-PESEB-002	FAB P/N 18-692-001	REV. 2.0
-----------	------------------------------	-----------------------	-------------

AUTHOR Tony Tran	CHECKED BY Derek Huang
---------------------	---------------------------

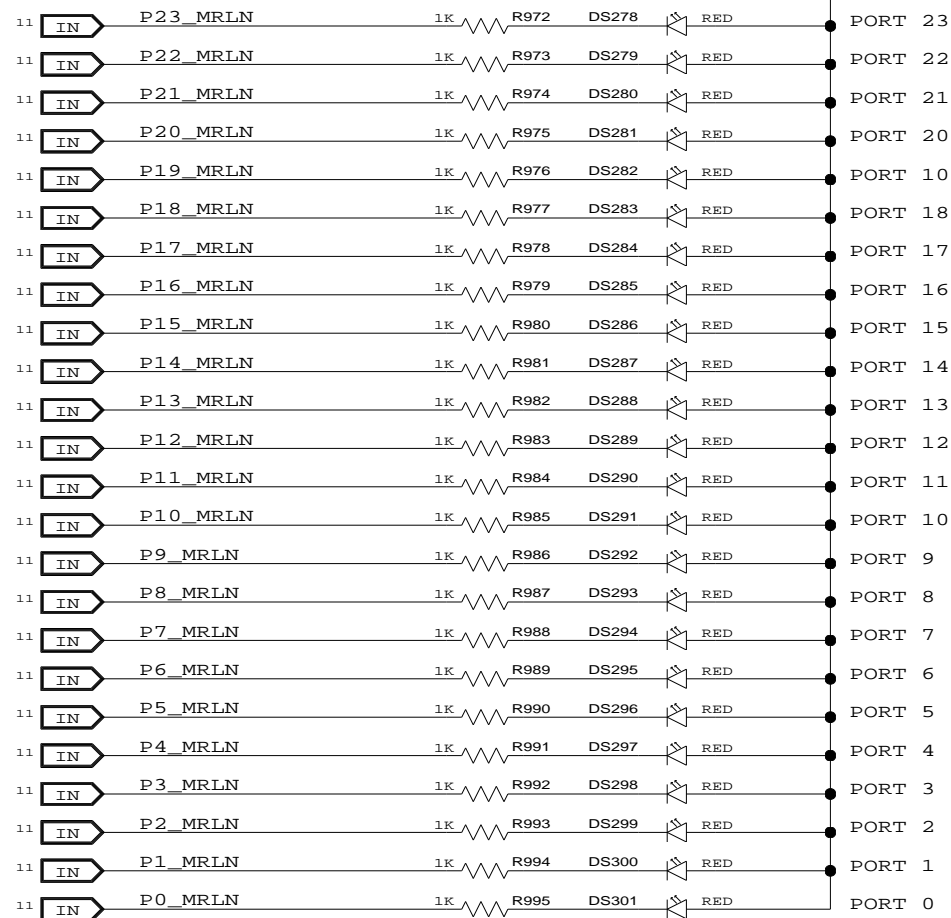
Thu Jun 10 11:24:54 2010

SHEET 33 OF 41

(GREEN) ACTIVE HIGH - INTERLOCK INPUT



(RED) ACTIVE LOW - MRL



CONFIDENTIAL PROPERTY OF INTEGRATED DEVICE TECHNOLOGY, INC.
6024 SILVER CREEK VALLEY ROAD. SAN JOSE, CA 95138
COPYRIGHT (C) 2010 IDT

TITLE EB-LOGAN-19

LED - PORT STATUS (5 OF 7)

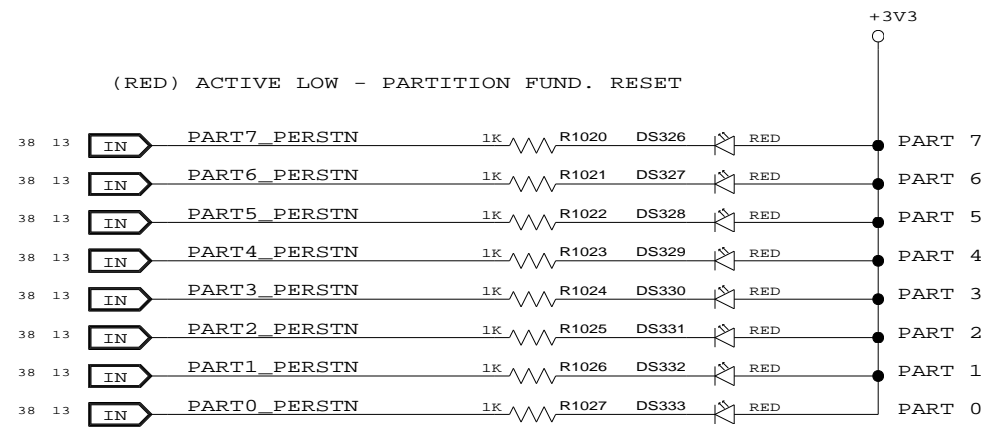
SIZE B	DRAWING NO. SCH-PESEB-002	FAB P/N 18-692-001	REV. 2.0
-----------	------------------------------	-----------------------	-------------

AUTHOR Tony Tran	CHECKED BY Derek Huang
---------------------	---------------------------

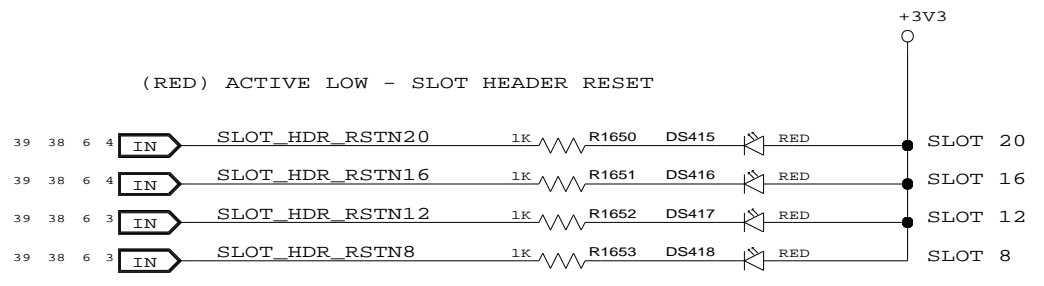
Thu Jun 10 11:24:54 2010

SHEET 34 OF 41

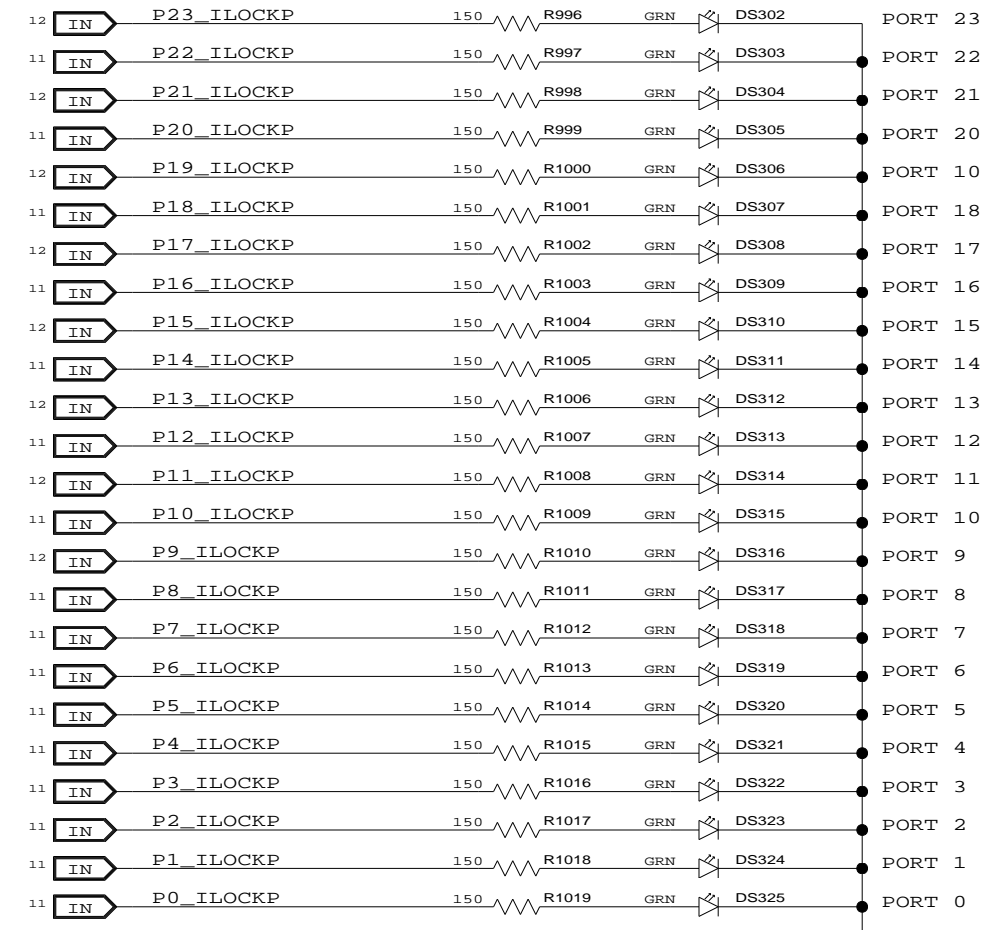
(RED) ACTIVE LOW - PARTITION FUND. RESET



(RED) ACTIVE LOW - SLOT HEADER RESET



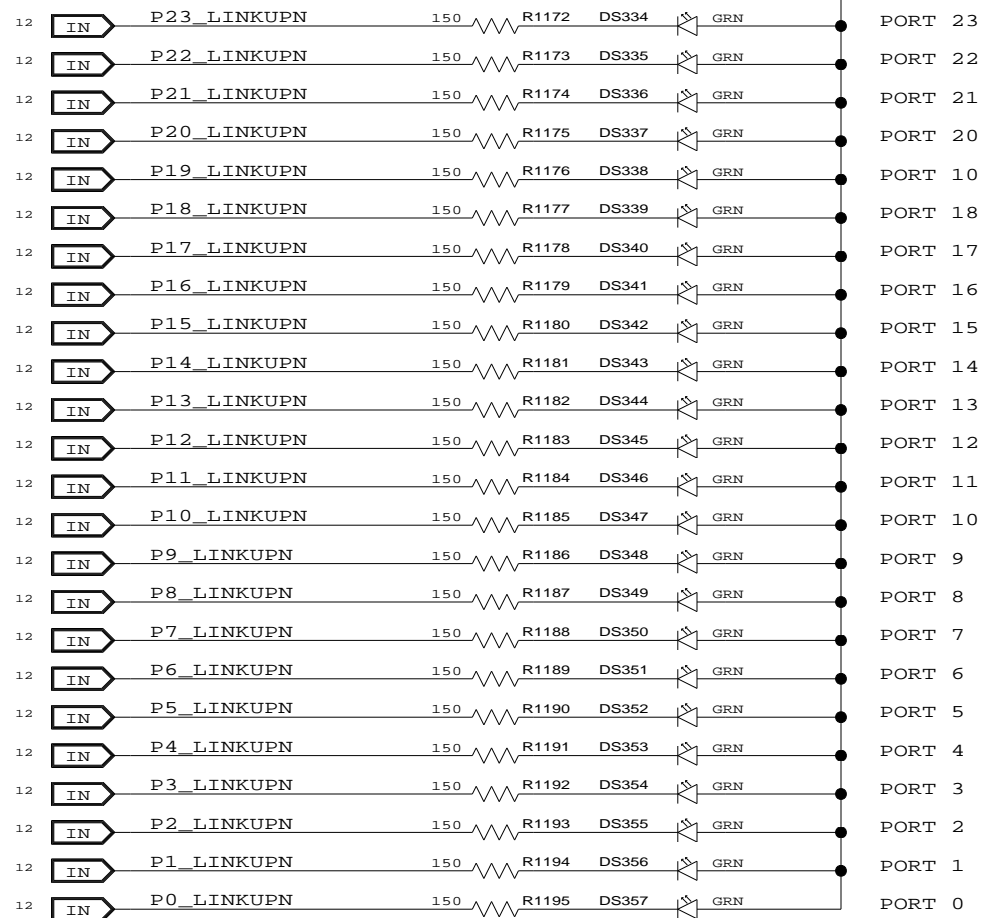
(GREEN) ACTIVE HIGH - INTERLOCK OUTPUT



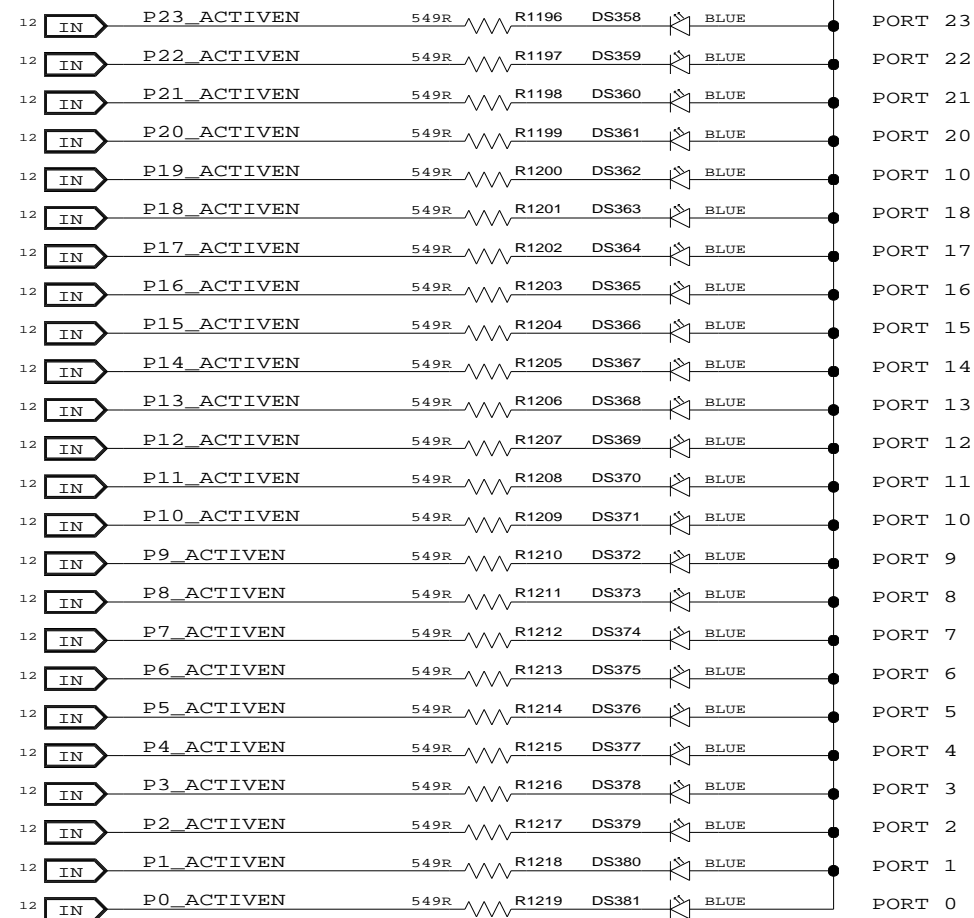
CONFIDENTIAL PROPERTY OF INTEGRATED DEVICE TECHNOLOGY, INC.
6024 SILVER CREEK VALLEY ROAD. SAN JOSE, CA 95138
COPYRIGHT (C) 2010 IDT

TITLE EB-LOGAN-19			
LED - PORT STATUS (6 OF 7)			
SIZE	DRAWING NO.	FAB P/N	REV.
B	SCH-PESEB-002	18-692-001	2.0
AUTHOR		CHECKED BY	
Tony Tran		Derek Huang	
Thu Jun 10 11:24:54 2010			SHEET 35 OF 41

(GREEN) ACTIVE LOW - LINK UP



(BLUE) ACTIVE LOW - LINK ACTIVITY



CONFIDENTIAL PROPERTY OF INTEGRATED DEVICE TECHNOLOGY, INC.
6024 SILVER CREEK VALLEY ROAD. SAN JOSE, CA 95138
COPYRIGHT (C) 2010 IDT

TITLE EB-LOGAN-19

LED - PORT STATUS (7 OF 7)

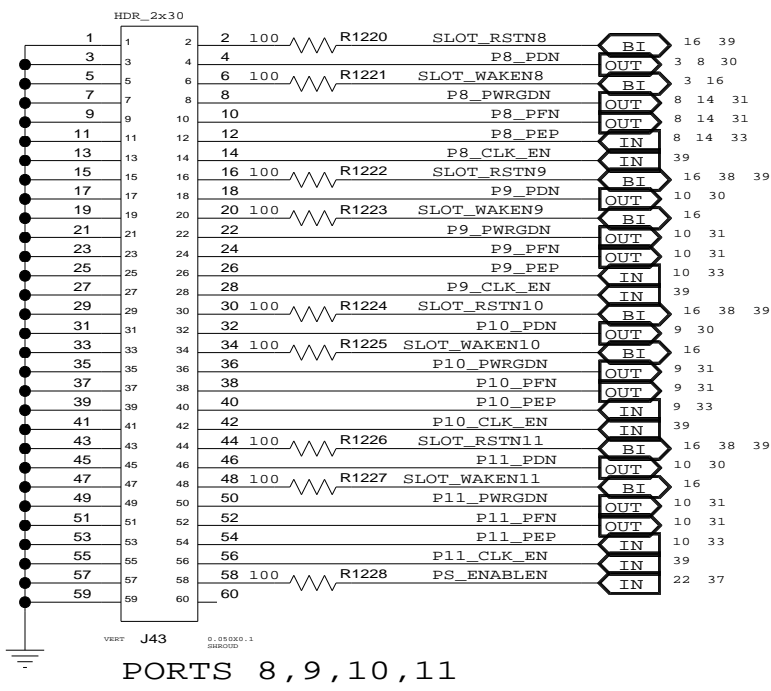
SIZE B	DRAWING NO. SCH-PESEB-002	FAB P/N 18-692-001	REV. 2.0
-----------	------------------------------	-----------------------	-------------

AUTHOR Tony Tran	CHECKED BY Derek Huang
---------------------	---------------------------

Thu Jun 10 11:24:55 2010 SHEET 36 OF 41

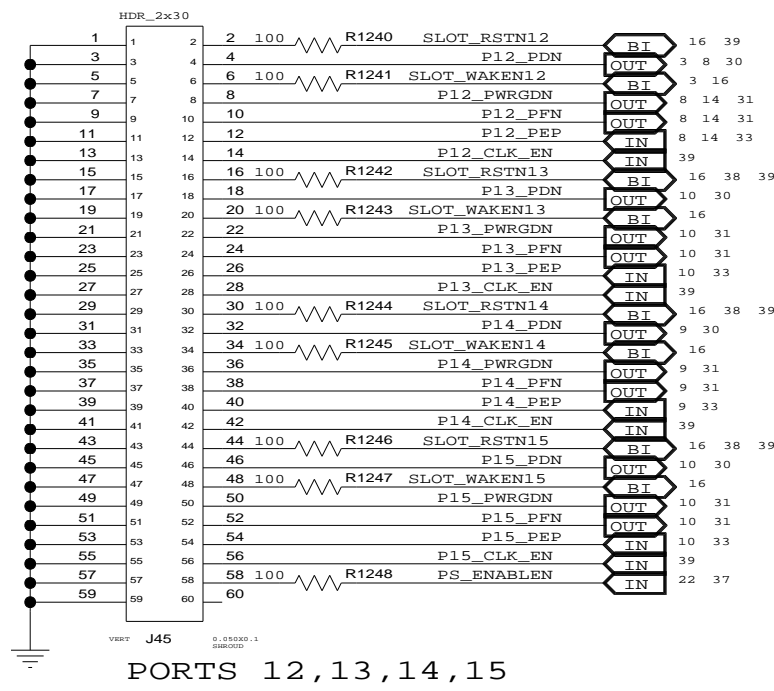
D

SLOT_RESETN
CARD_PRESENTN
WAKEN
POWERGOOD
PWR_FLTN
PWR_ENABLE
CLOCK_ENABLEN
PS_ENABLEN
CABLE SENSE



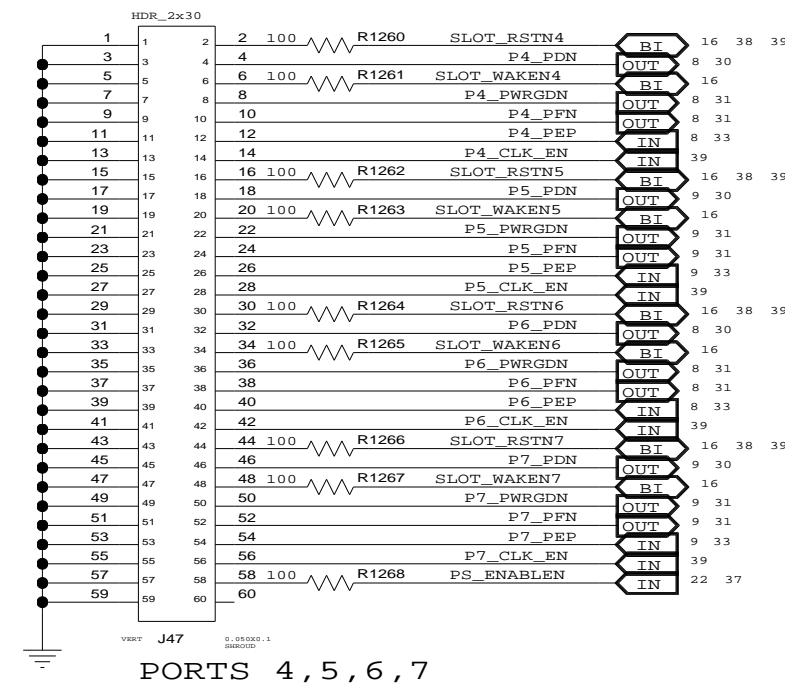
D

PORTS 12,13,14,15



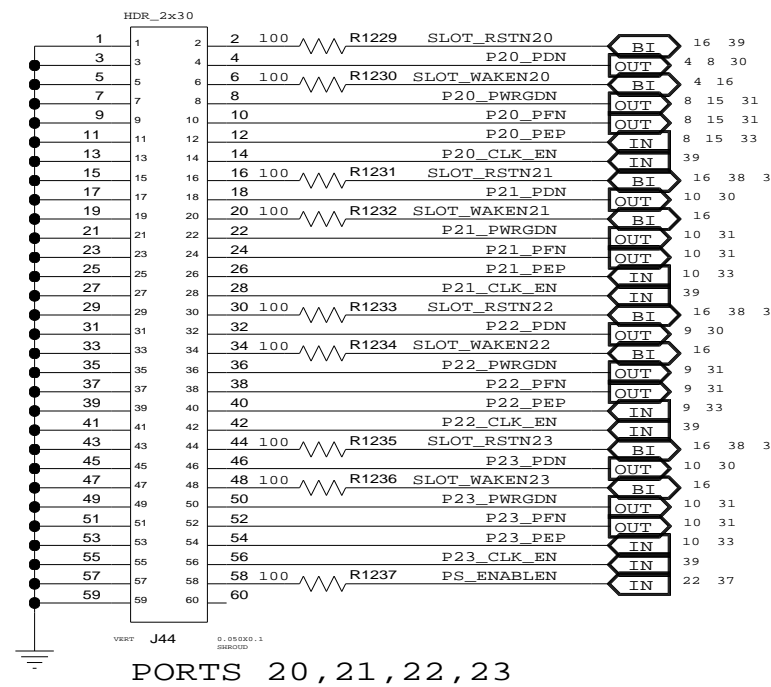
D

PORTS 4,5,6,7



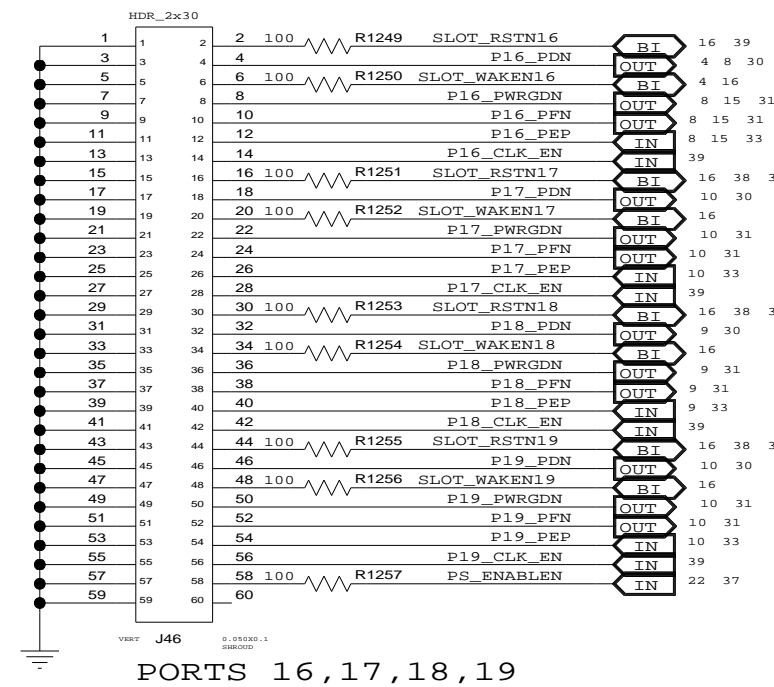
B

SLOT_RESETN
CARD_PRESENTN
WAKEN
POWERGOOD
PWR_FLTN
PWR_ENABLE
CLOCK_ENABLEN
PS_ENABLEN
CABLE SENSE



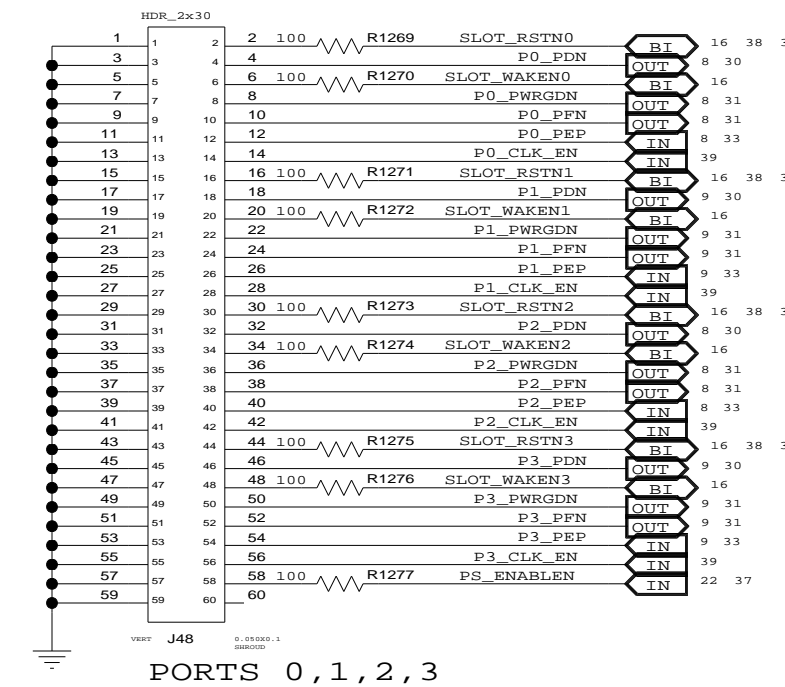
B

PORTS 16,17,18,19




B

PORTS 0,1,2,3



A

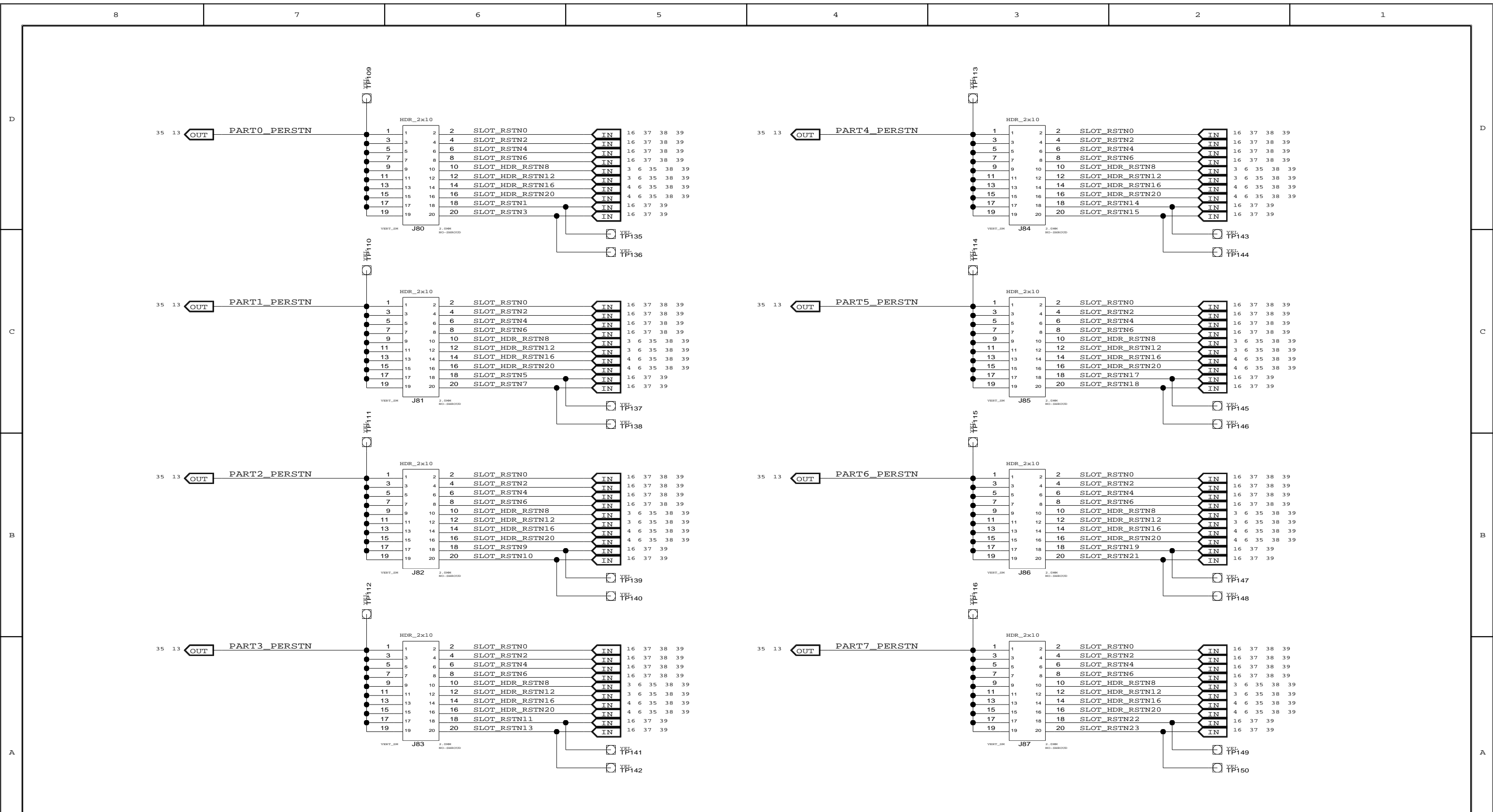



CONFIDENTIAL PROPERTY OF INTEGRATED DEVICE TECHNOLOGY, INC.
6024 SILVER CREEK VALLEY ROAD, SAN JOSE, CA 95138
COPYRIGHT (C) 2010 IDT

TITLE EB-LOGAN-19

SIDEBAND CONNECTORS

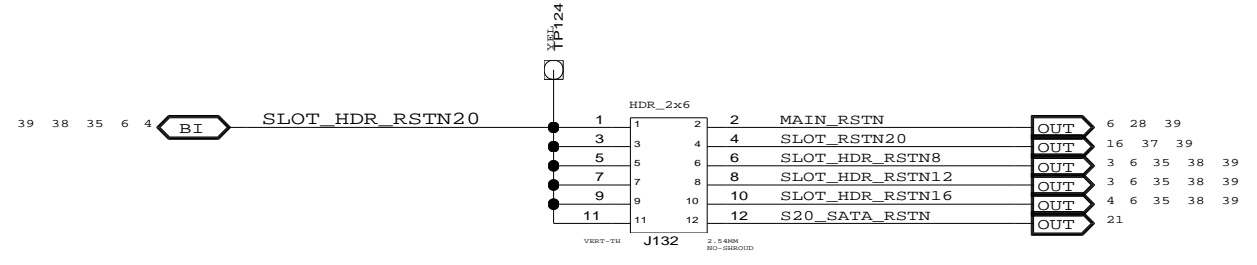
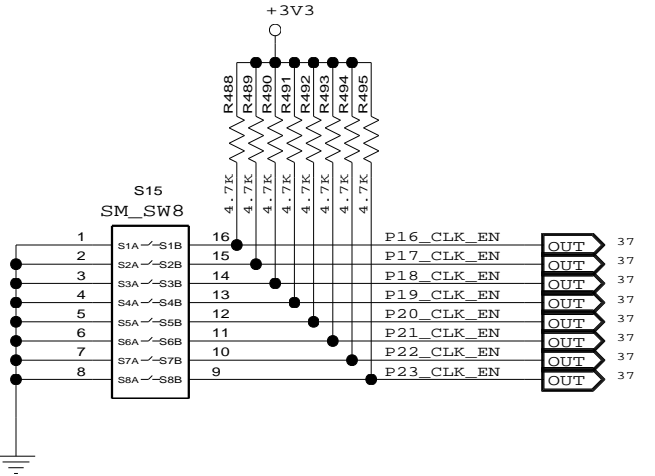
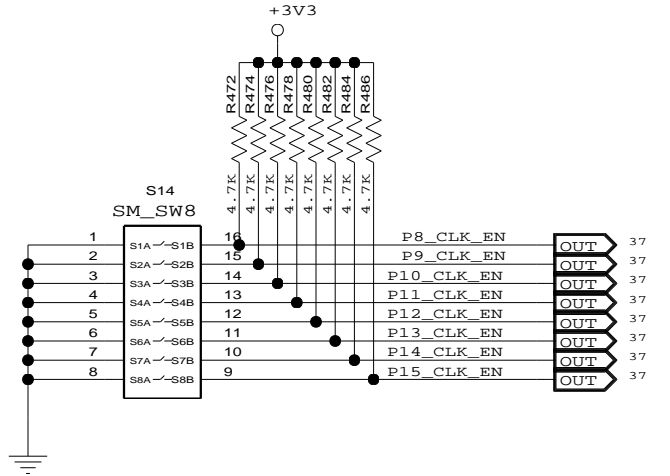
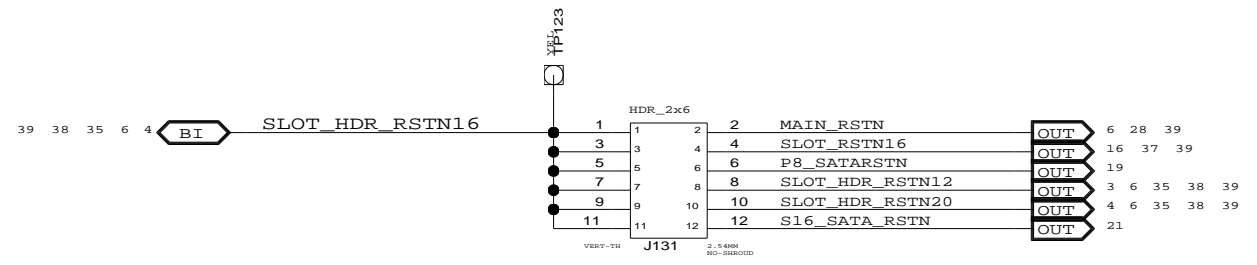
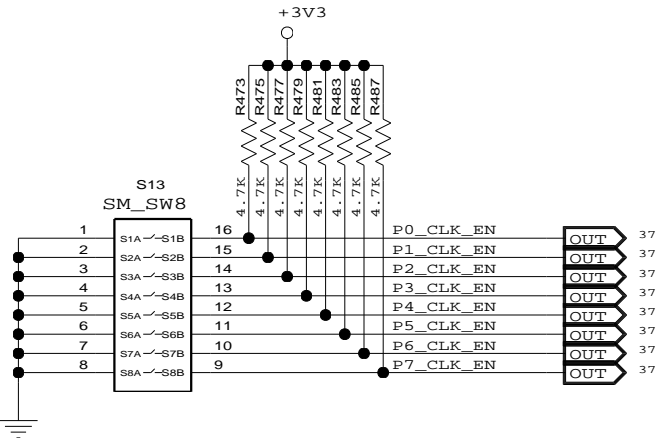
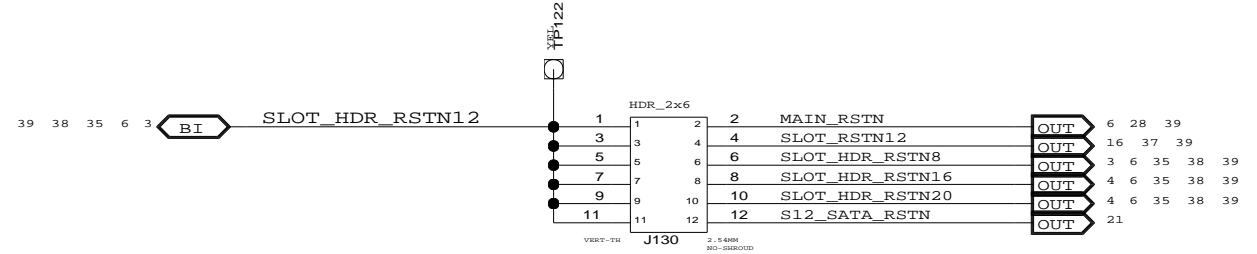
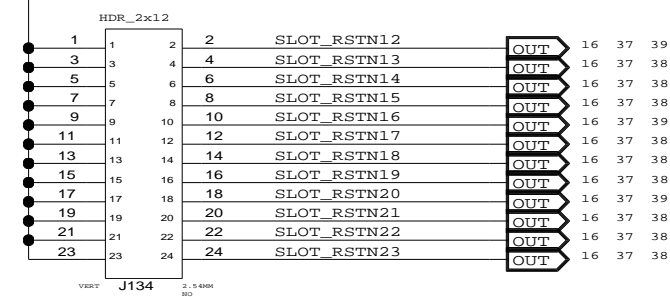
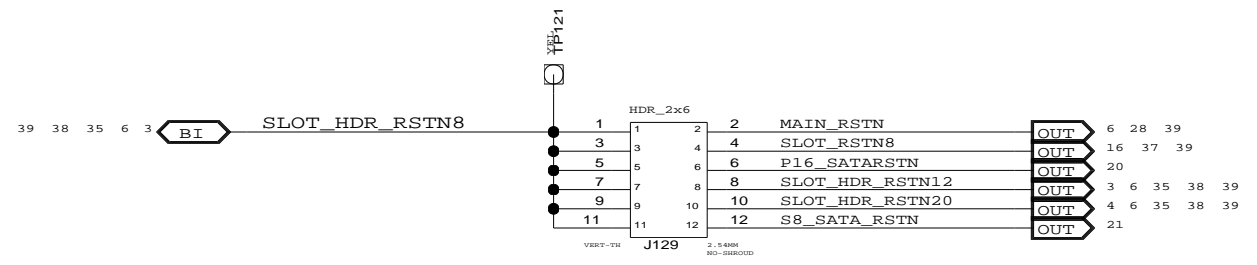
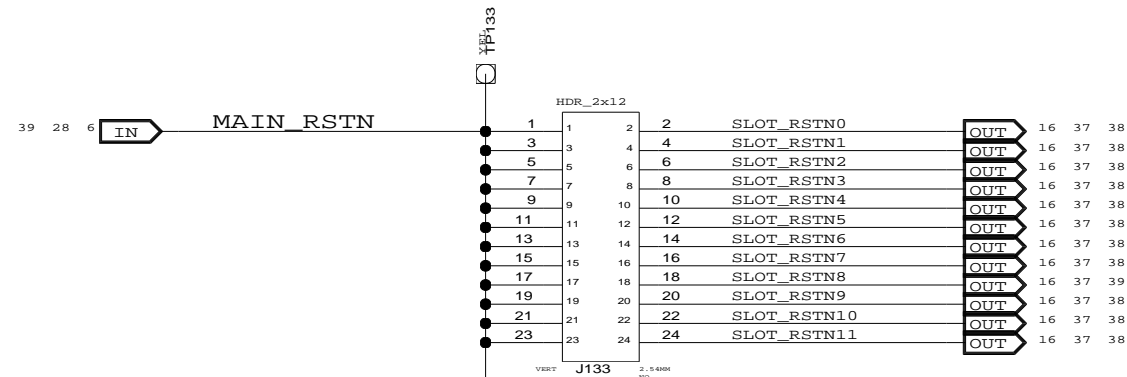
SIZE	DRAWING NO.	FAB P/N	REV.
B	SCH-PESEB-002	18-692-001	2.0
AUTHOR		CHECKED BY	
Tony Tran		Derek Huang	
Thu Jun 10 11:24:55 2010			SHEET 37 OF 41



		TITLE EB-LOGAN-19	
		PARTITION RESET SELECT HEADERS	
SIZE	DRAWING NO.	FAB P/N	REV.
B	SCH-PESEB-002	18-692-001	2.0
AUTHOR		CHECKED BY	
Tony Tran		Derek Huang	
Thu Jun 10 11:24:56 2010			SHEET 38 OF 41

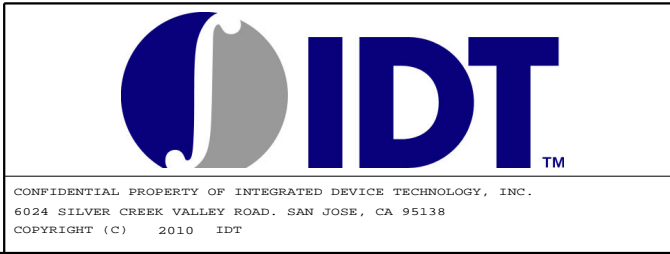
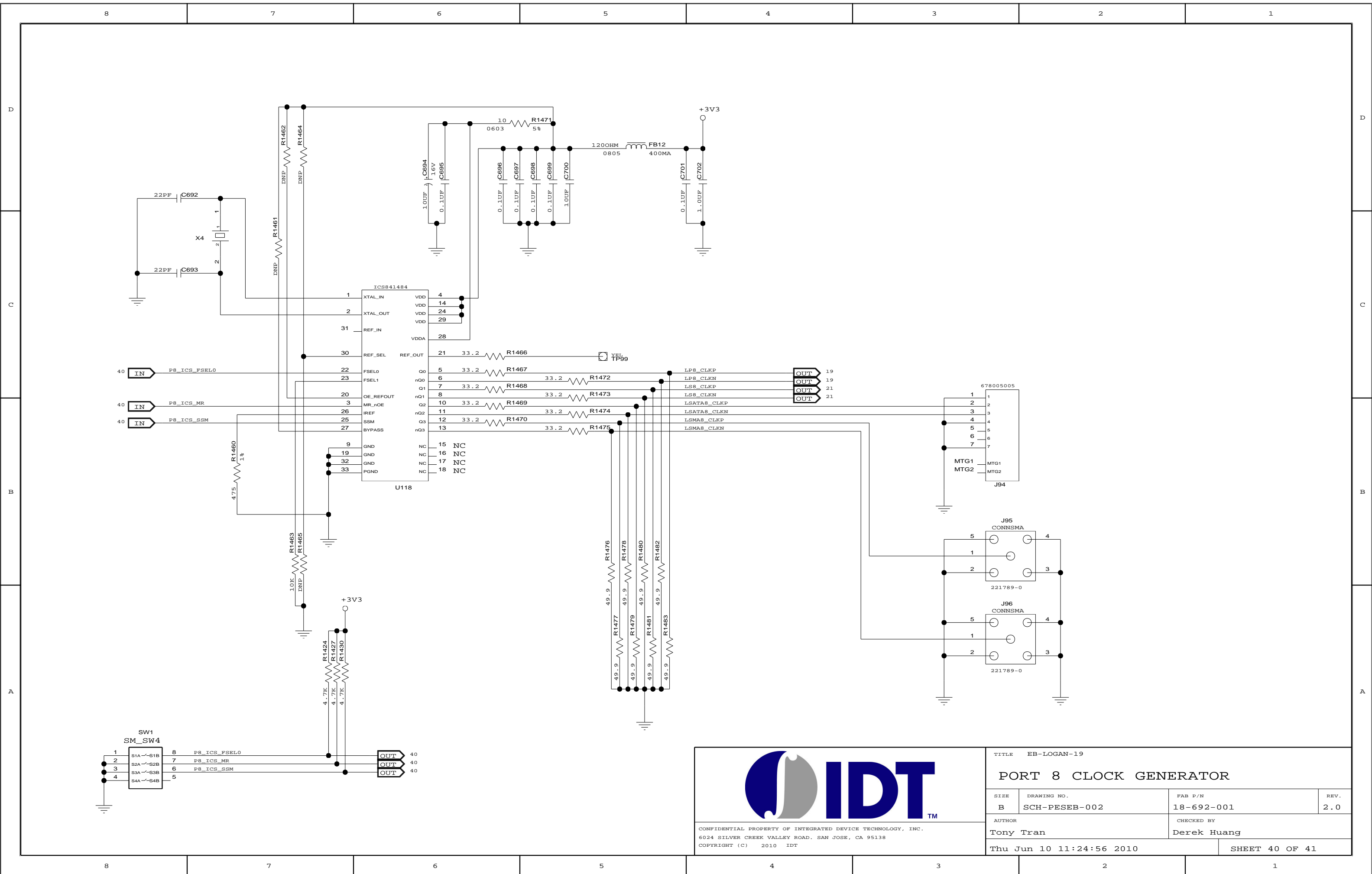
CONFIDENTIAL PROPERTY OF INTEGRATED DEVICE TECHNOLOGY, INC.
 6024 SILVER CREEK VALLEY ROAD. SAN JOSE, CA 95138
 COPYRIGHT (C) 2010 IDT

NOTE: DNP JUMPERS WHEN IOEXPANDER IS ENABLED

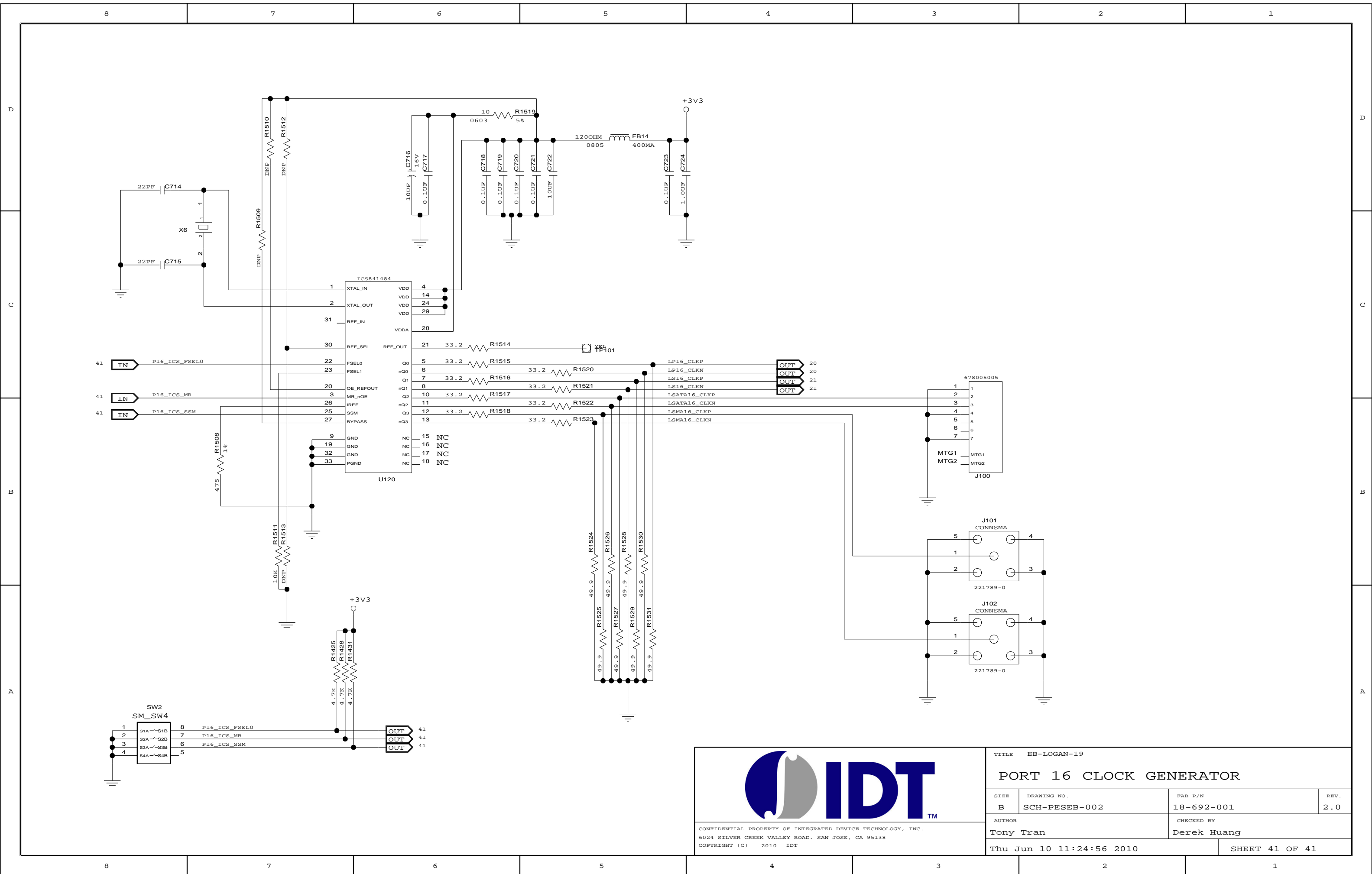



CONFIDENTIAL PROPERTY OF INTEGRATED DEVICE TECHNOLOGY, INC.
6024 SILVER CREEK VALLEY ROAD, SAN JOSE, CA 95138
COPYRIGHT (C) 2010 IDT

TITLE EB-LOGAN-19			
SLOT RESET SELECT HEADERS			
SIZE	DRAWING NO.	FAB P/N	REV.
B	SCH-PESEB-002	18-692-001	2.0
AUTHOR		CHECKED BY	
Tony Tran		Derek Huang	
Thu Jun 10 11:24:56 2010			SHEET 39 OF 41



TITLE EB-LOGAN-19			
PORT 8 CLOCK GENERATOR			
SIZE	DRAWING NO.	FAB P/N	REV.
B	SCH-PESEB-002	18-692-001	2.0
AUTHOR		CHECKED BY	
Tony Tran		Derek Huang	
Thu Jun 10 11:24:56 2010			SHEET 40 OF 41





CONFIDENTIAL PROPERTY OF INTEGRATED DEVICE TECHNOLOGY, INC.
6024 SILVER CREEK VALLEY ROAD, SAN JOSE, CA 95138
COPYRIGHT (C) 2010 IDT

TITLE EB-LOGAN-19

PORT 16 CLOCK GENERATOR

SIZE	DRAWING NO.	FAB P/N	REV.
B	SCH-PESEB-002	18-692-001	2.0
AUTHOR		CHECKED BY	
Tony Tran		Derek Huang	
Thu Jun 10 11:24:56 2010			SHEET 41 OF 41