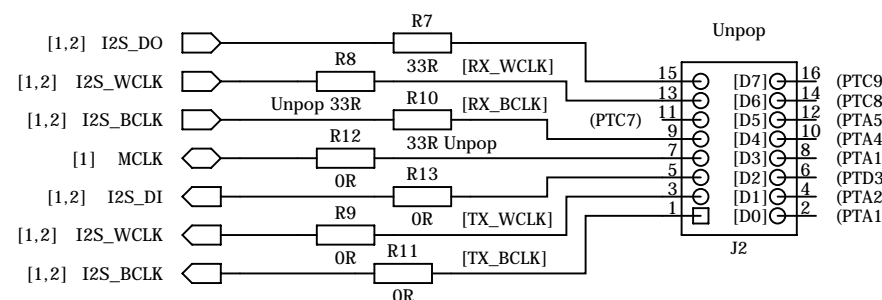
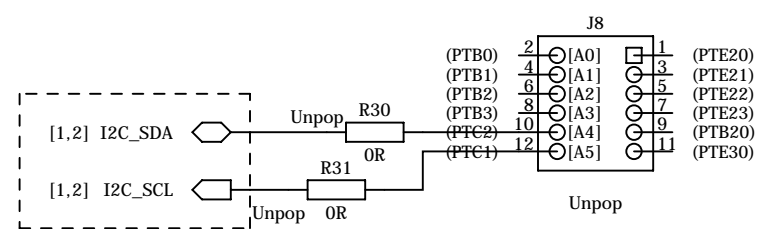
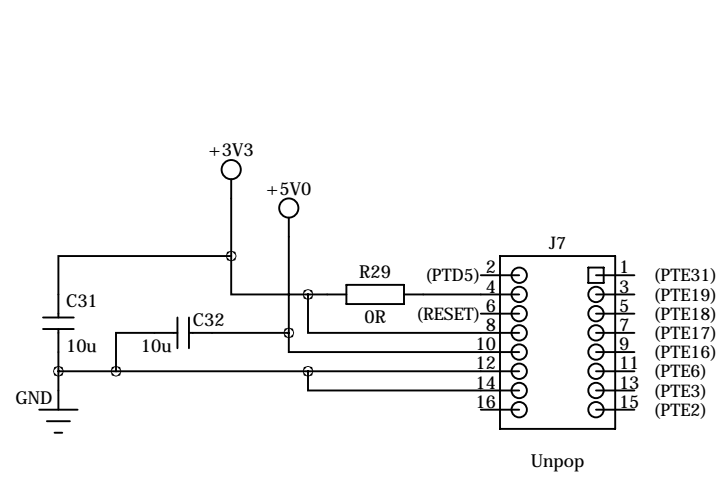


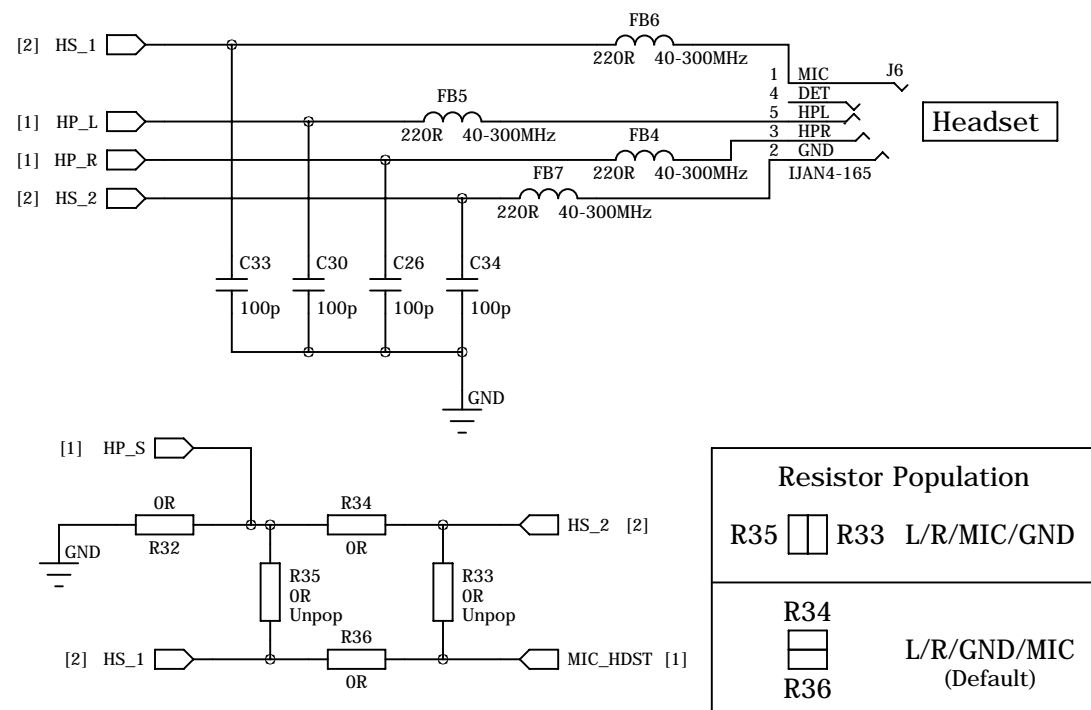
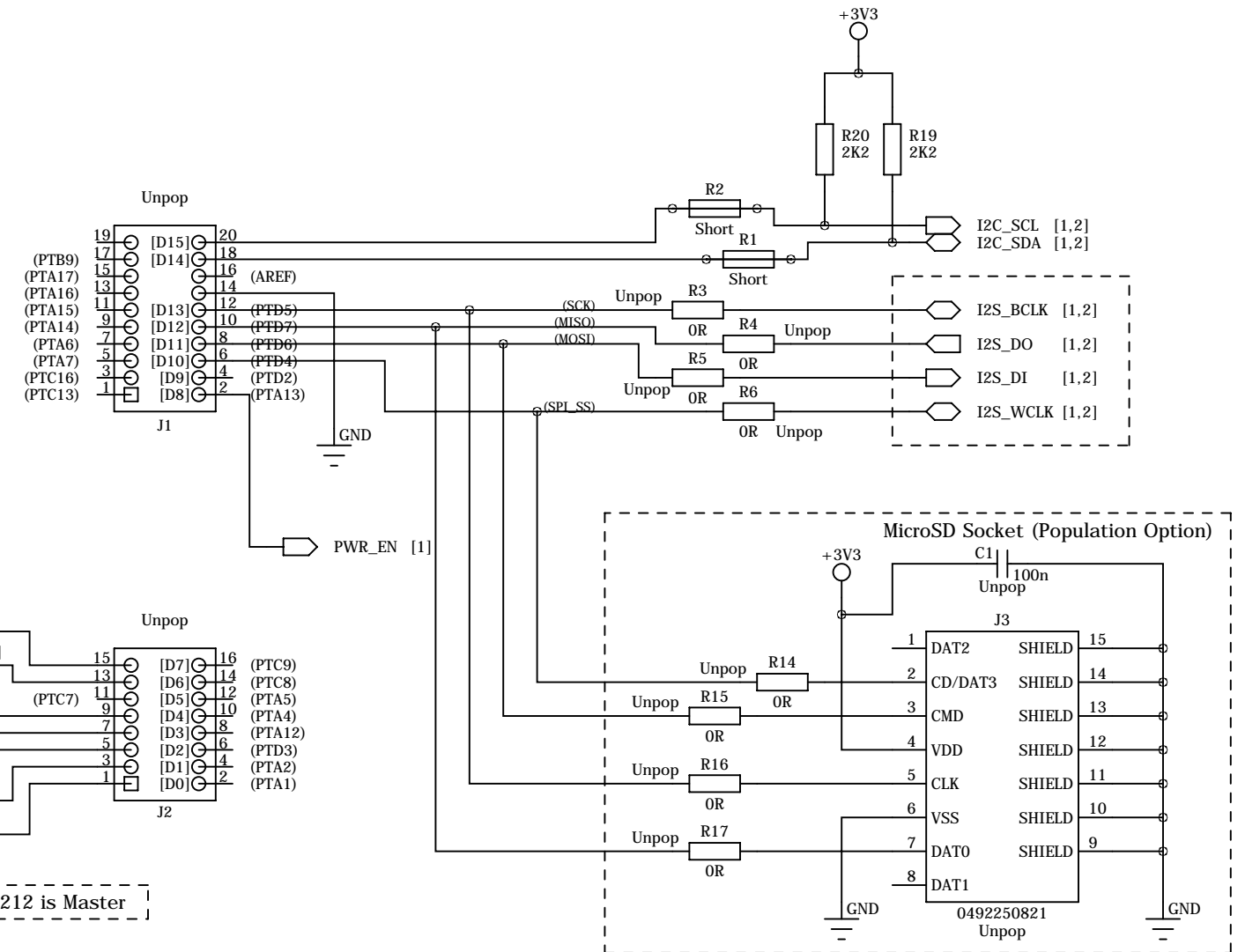
SCHEMATIC TEMPLATE REV PA2 (November 30, 2011) DIALOG DOCUMENT NUMBER 31-902-03

CONFIDENTIAL INFORMATION		TITLE: ARD-AUDIO-DA7212	
PREPARED:	DATED:	DRAWING NO:	REV: B
RESPONSIBLE:	DATED:	SHEET NAME: DA7212	PAGE: OF



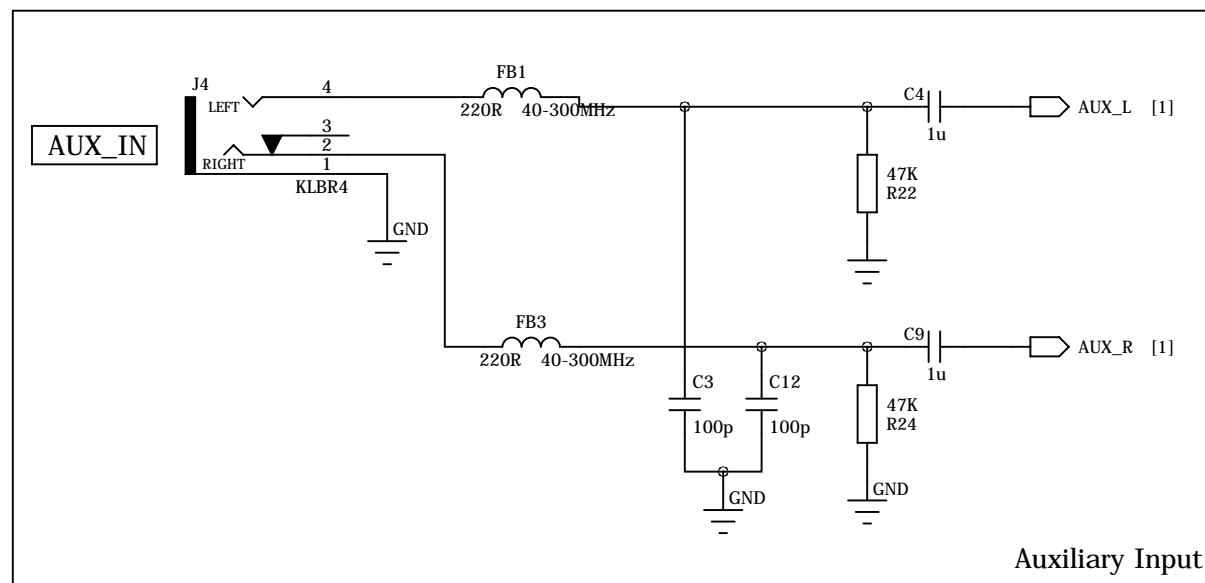


NOTE: Default configuration - DA7212 is Master



Layout Notes:
1. R29 should be placed next to J6

Headset Output



Auxiliary Input

SCHEMATIC TEMPLATE REV PA2 (November 30, 2011) DIALOG DOCUMENT NUMBER 31-902-03

CONFIDENTIAL INFORMATION		TITLE: ARD-AUDIO-DA7212	
PREPARED:	DATED:	DRAWING NO:	REV: B
RESPONSIBLE:	DATED:	SHEET NAME: CONNECTORS	PAGE: OF

