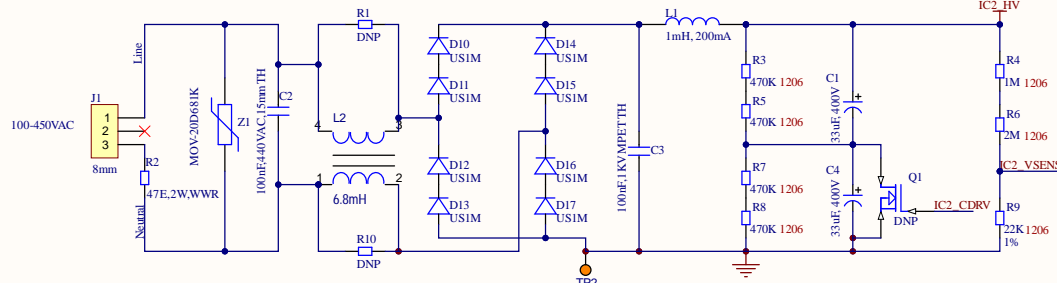
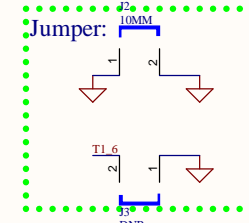
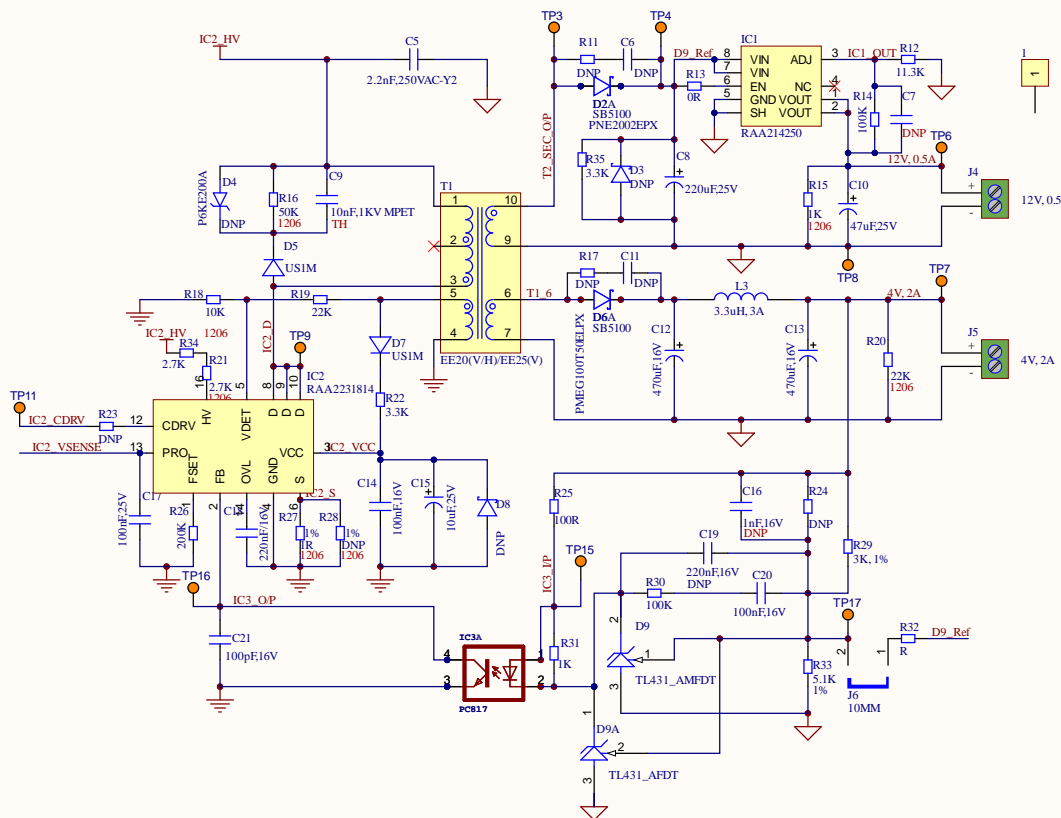


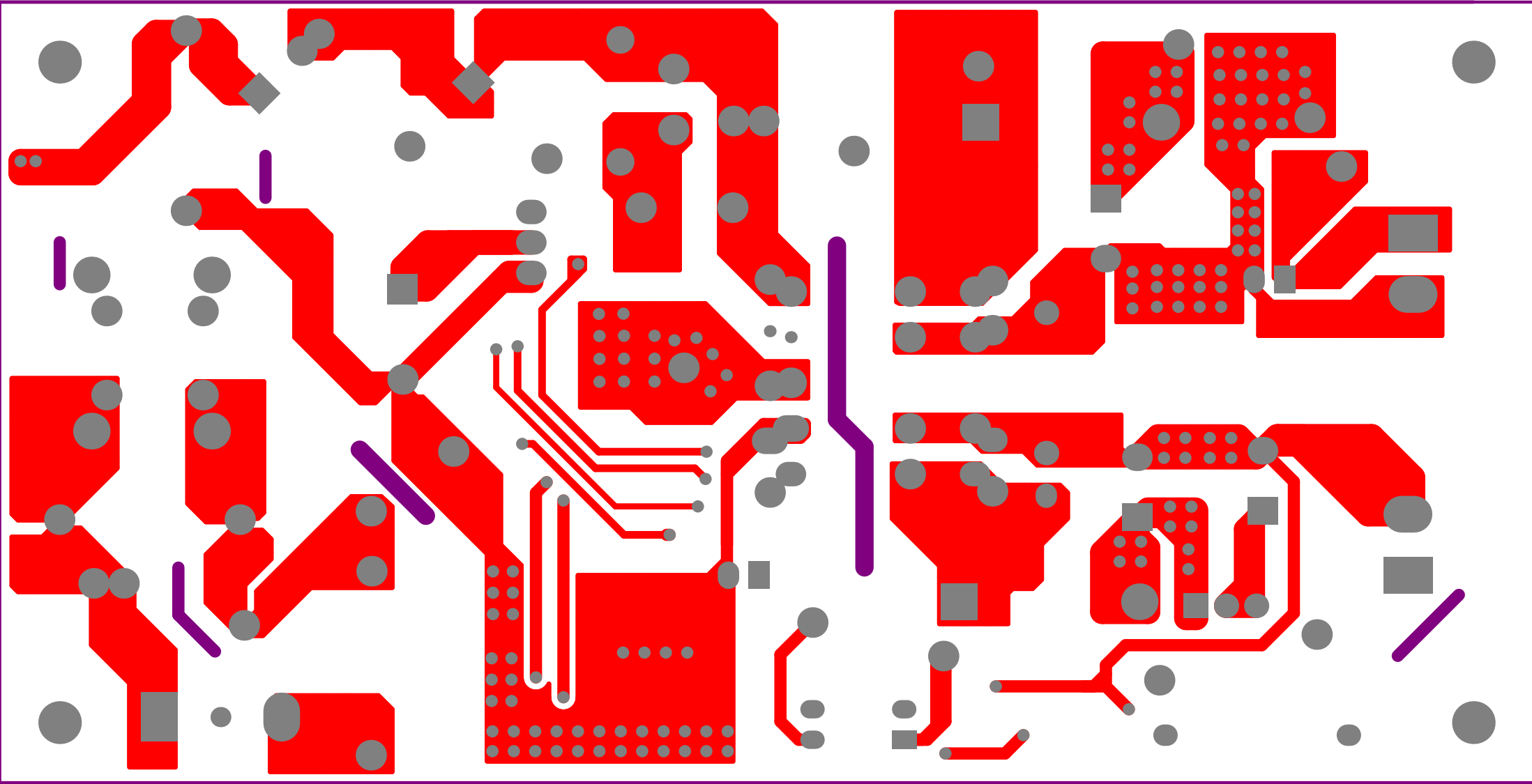
Bridge Rectifier & Filter:

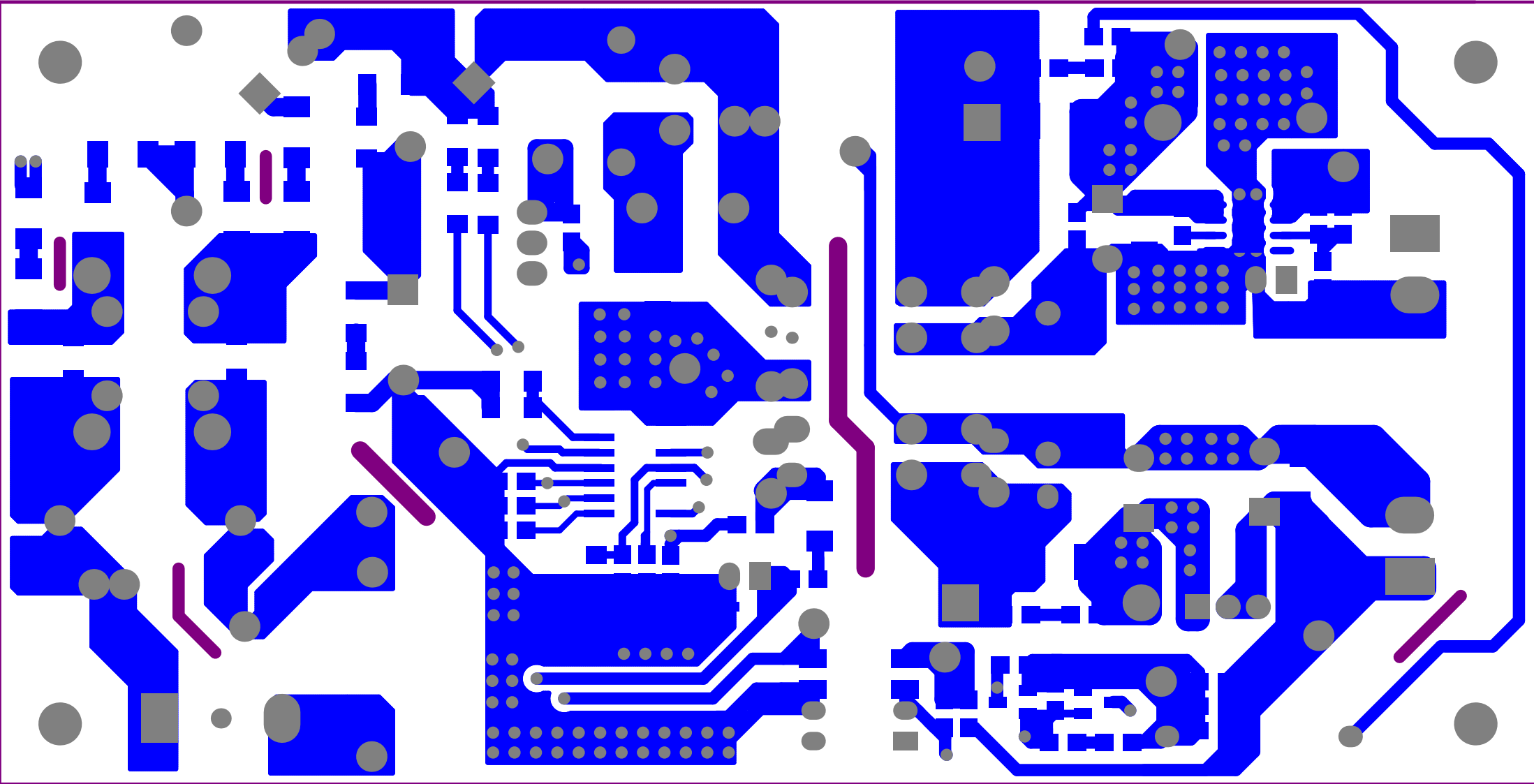


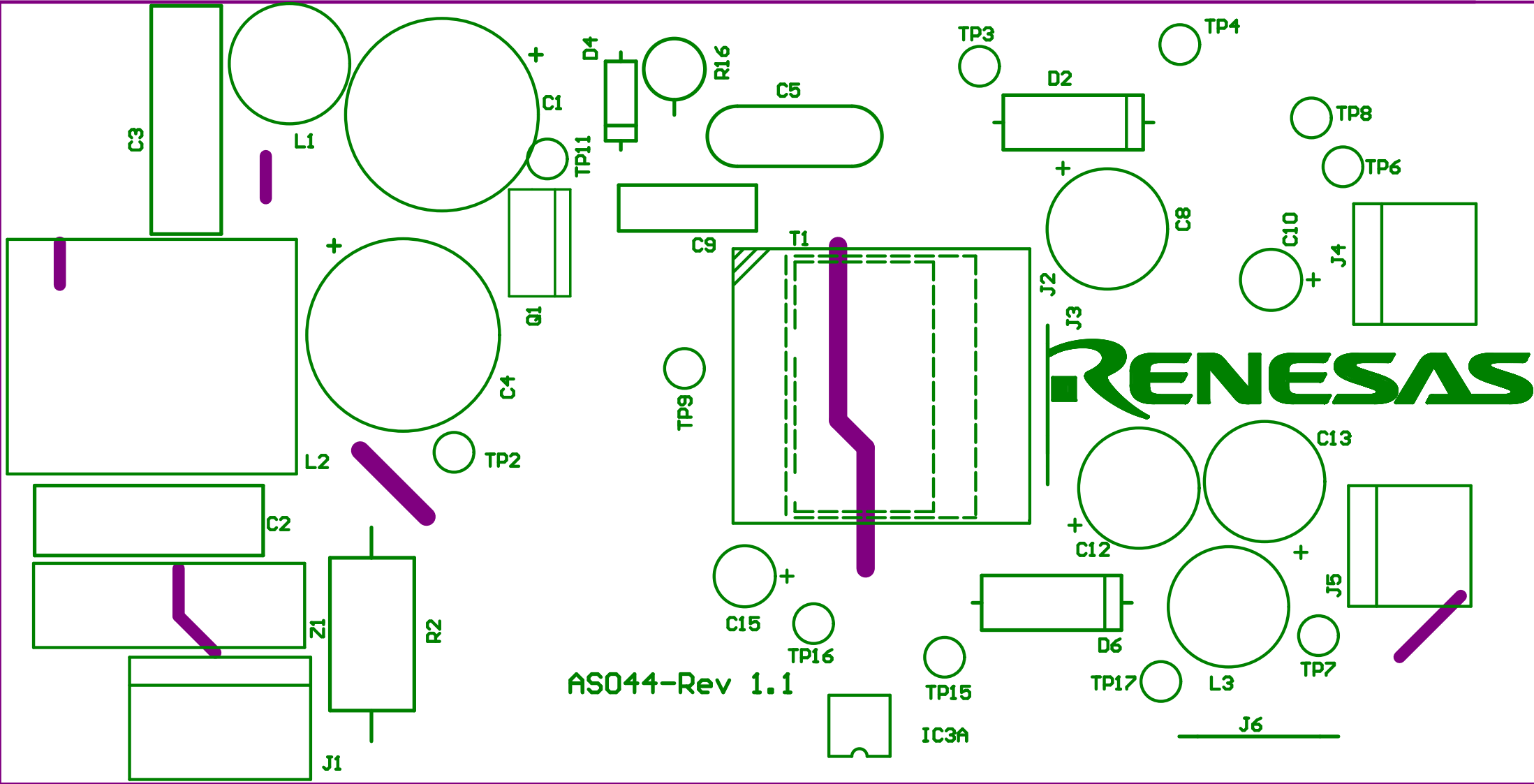
Flyback:



| AS044 - 1_Phase Energy Meter Power Supply |              |  |                   |                    |
|---|--------------|--|-------------------|--------------------|
| AS-044_V1.SchDoc                          |              |  |                   |                    |
| Release Date: 14-03-2023                  | Revision: 01 | Drawn by: Gaurav                                     | Checked by: Rishi | Approved by: Nitin |
| Last Updated: 14-03-2023                  |              |  |                   |                    |
| SHEET 1 OF 1                              | SIZE A3      | Renesas Electronics India Pvt Ltd, Bangalore, India. |                   |                    |







AS044-Rev 1.1

RENESAS

# A2044-EMTRP2PC12

