

DA1453x DevKit Pro Mainboard

Design Name	da1453xdevkt-p
Ref. Number	610-01-B
Version	B5
Date	Mar 14, 2024
Designer	PR
NOTE	This board is based to da145xxdevkt-p rev.B2 [376-18-B] original design, customized for the DA1453x family (D2632, D3081)

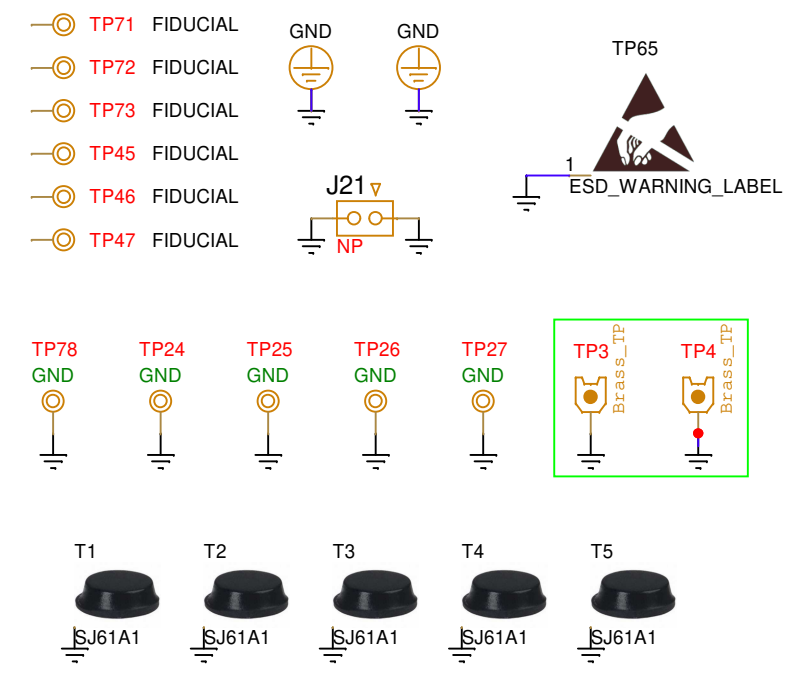
History Table

Version	Date	Comments
	09 / Dec / 2022	This design is a customized version based on the da145xx pro development kit mainboard, with the following modifications: <ul style="list-style-type: none"> changed GPIO names to reflect only DA1453x family pinout removed MikroBUS (1) and Arduino connectors added a PMOD socket connector replaced difficult to find parts with alternatives replaced the power measurement block with a pmm socket added option to issue a reset from UART added option to power-cycle controlled by RESET Internal release for review
A	14 / Dec / 2022	Additional modifications after sch & layout review <ul style="list-style-type: none"> [1]Added testpoints (nRST_OB, V_FL, 3.3V) [2]Modified footprint of U25 (QFN/TQFP now have separated mask/paste) [3]Move testpoints TP7/TP8 at the bottom [4]Moved the index hole to avoid collision in the test jig with a placed J20 connector [5]Connected the center pad below U25/U25x to GND [6]Increased the clearance between crystal Y1 and neighboring passives [7]Added resistor R5 as alternative feedback loop for the LDO [8]Removed U17/U18 and related passives (5.0VA connected to VBUS_HUB through LP12) Released to manufacturing
B	15 / Mar / 2023	Modifications for 1.2V LDO option: <ul style="list-style-type: none"> changed R23 to 16.9k changed R354 to 4.42k changed R355 to 31.6k changed R357 to 2.26k Modifications to the circuit for power-cycle from reset: <ul style="list-style-type: none"> changed R347 to 10k changed R363 to 10k added 10k resistor (R36) between U21.4 to U26.B2 removed U27, R21, R22 removed alternative VF path option (R4/C4) changed supply of U21, U24, R30, R346/SW1 to V_LDO added pull-down (R31) at U21.3 added a series schottky diode (D1) to RESET Modifications related to PMM socket: <ul style="list-style-type: none"> changed R81 to 51 ohm (from NP) removed TRIG_0 from J7.52 changed J7.46 from VLED to VF (buffered VLDO) assigned J7.3 to TRIG_0, J7.5 to TRIG_3, removed J25 Changed LP12 from NP to BLM18EG471SN1D Added testpoint (MD_OB) at U25.21 Added termination resistor (R33) on MISO Changed U24 part number to SN74AUP1G04DBVR Replaced TP28/29 with TP3/4 (Through-hole testpoint) Added option (R89) to drive U_RSTn from U12.27 (ACBUS1) Added testpoints TP55..TP59 for testing UART from U25 Added the jumper options at J1 and J10 for single-pin UART Released to manufacturing
B1	22 / Mar / 2023	Changed U2 part# from AT25DF021A-MAHNR-T to AT25DF021A-MAHN-T
	08 / May / 2023	Modifications for 1.25V LDO option (U5): <ul style="list-style-type: none"> changed R354 to 4.75k changed R355 to 28k changed R356 to 19.1k changed R357 to 2.05k Jumper modifications for J9 and J23 header
B2	21 / Sep / 2023	Cleanup schematics and fixed missing modifications to BOM (modifications dated 08/05/23)
B3	21 / Nov / 2023	Changed configuration for PMM2 (added jumper on J9)
B4	09 / Feb / 2024	Removed jumpers (configuration for the module daughterboard) <ul style="list-style-type: none"> JS1, JS11, JS12, JS13, JS14 on J1 (SPI Flasn) JS2 on J8 (LED) JS10 on J5 (LDO default at 3.0V) Changed C3, C5, C20, C21, C65, C75, C77, C79, C80 to GRM155C81A105KA12J (cost/performance optimization)
B5	14 / Mar / 2024	Added jumpers JS1, JS2, JS11, JS12, JS13, JS14 (on-board SPI/LED) - i.e. default configuration for DA14535 daughterboard -

Configuration note

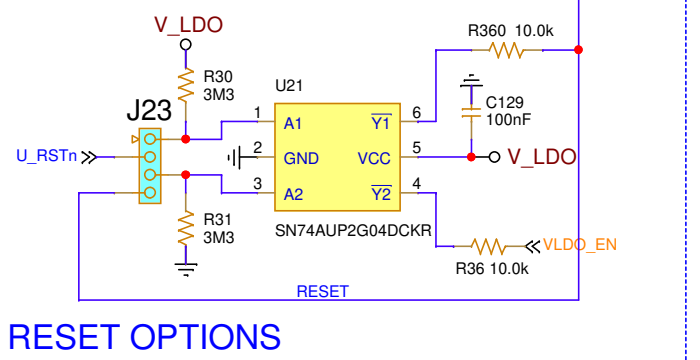
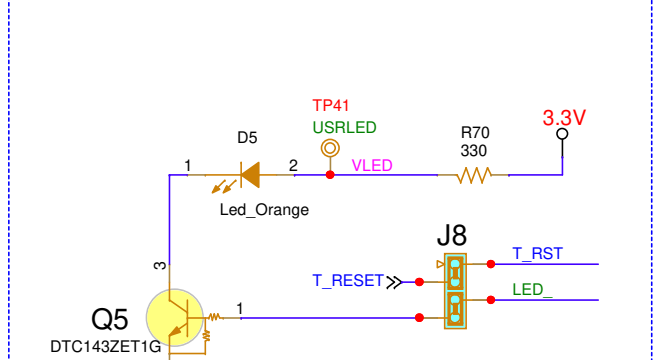
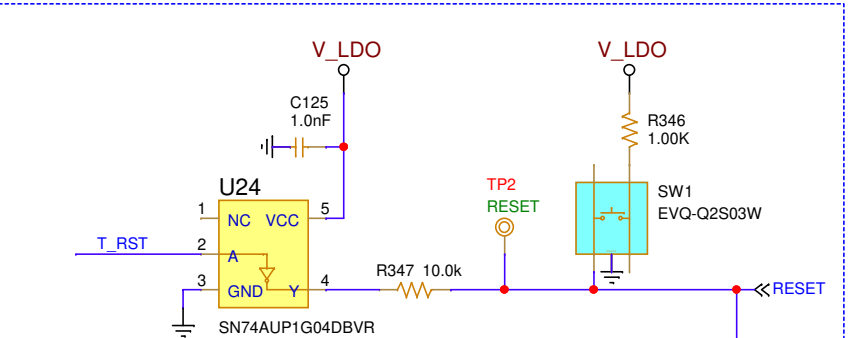
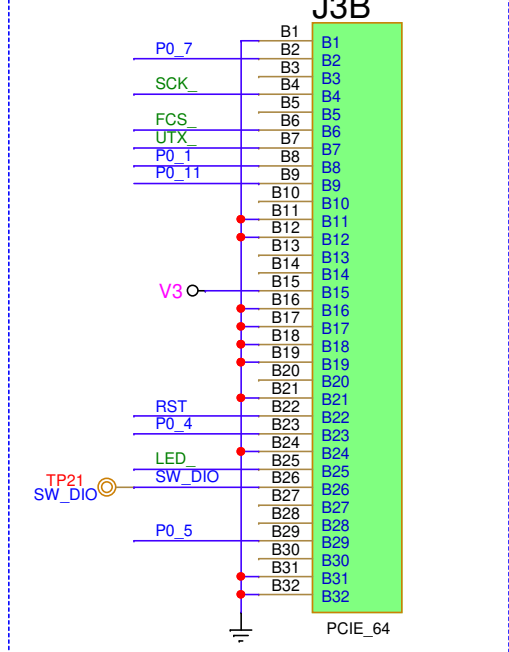
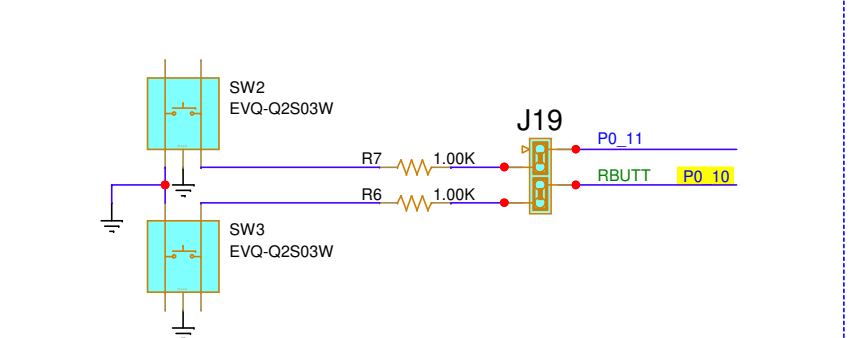
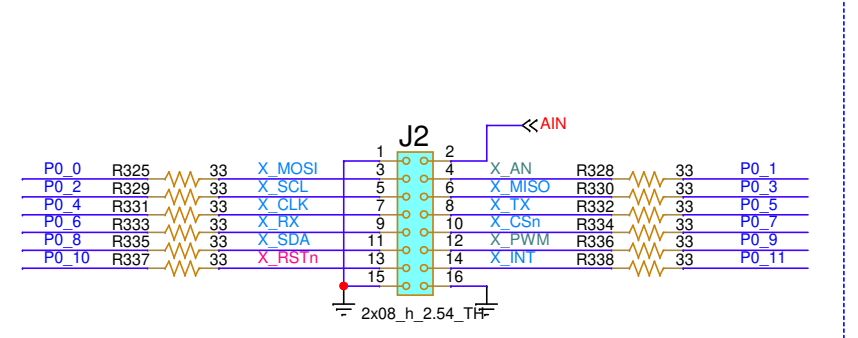
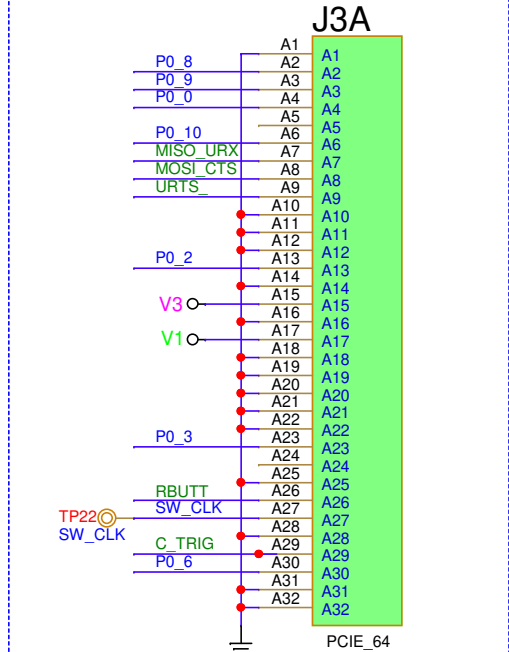
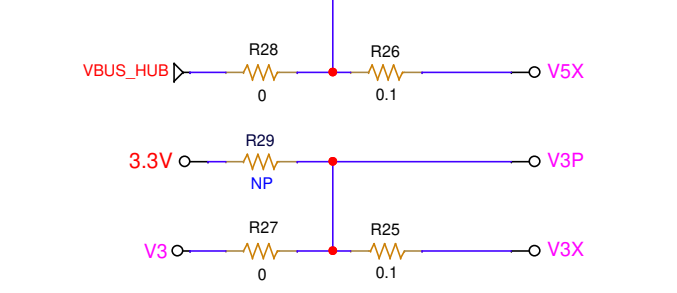
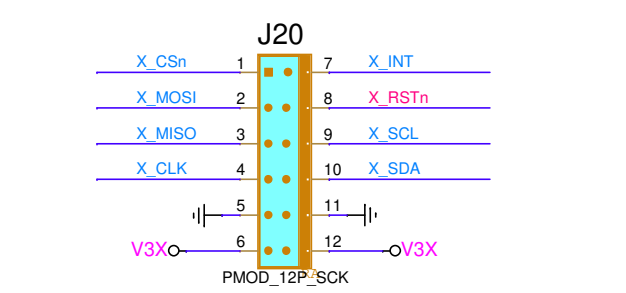
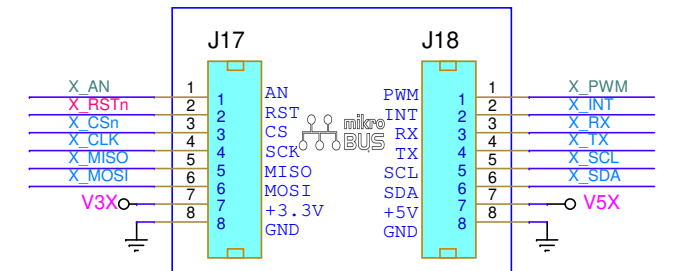
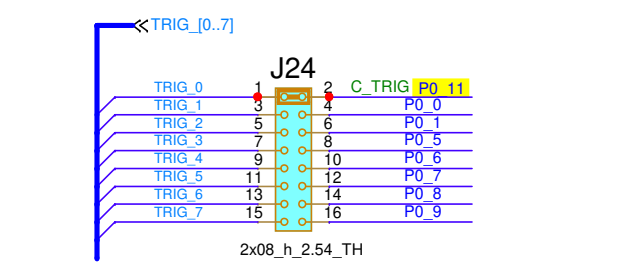
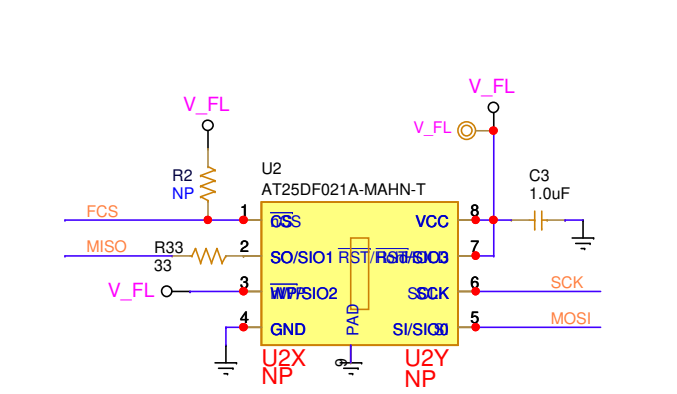
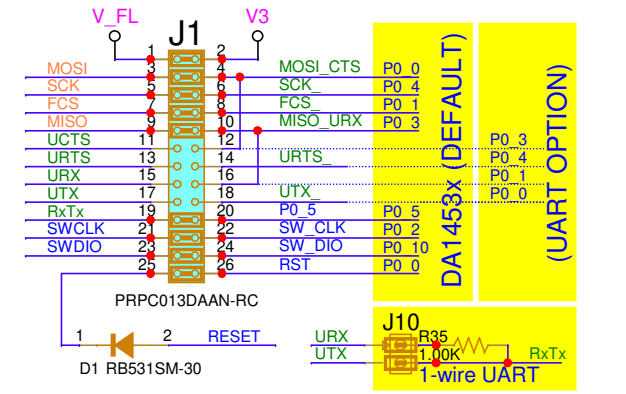
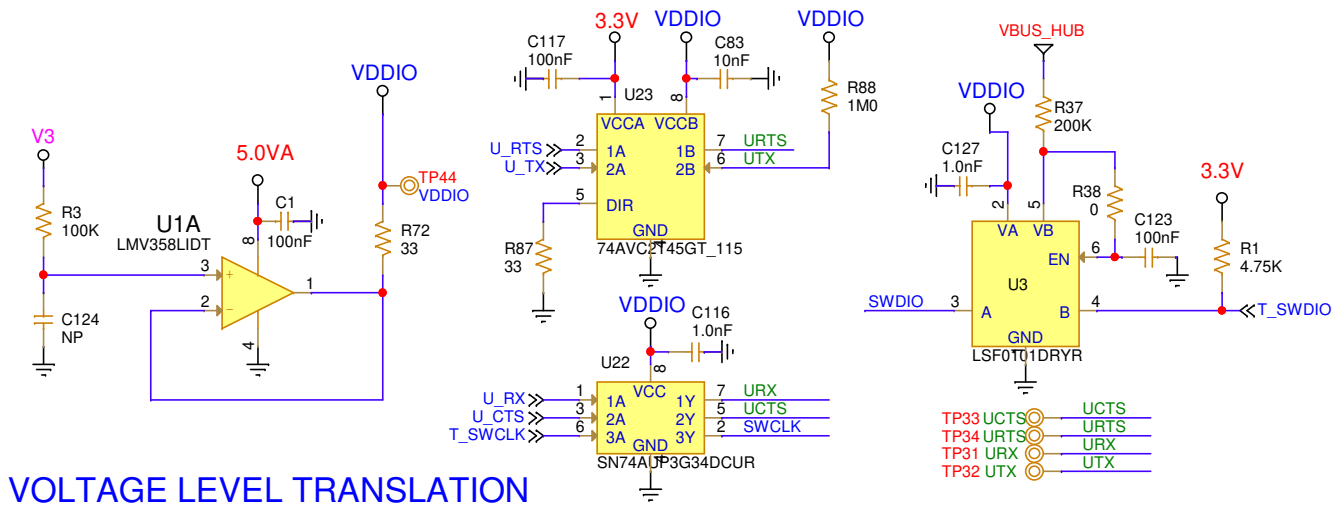
NOTE box

Changes in this Version.



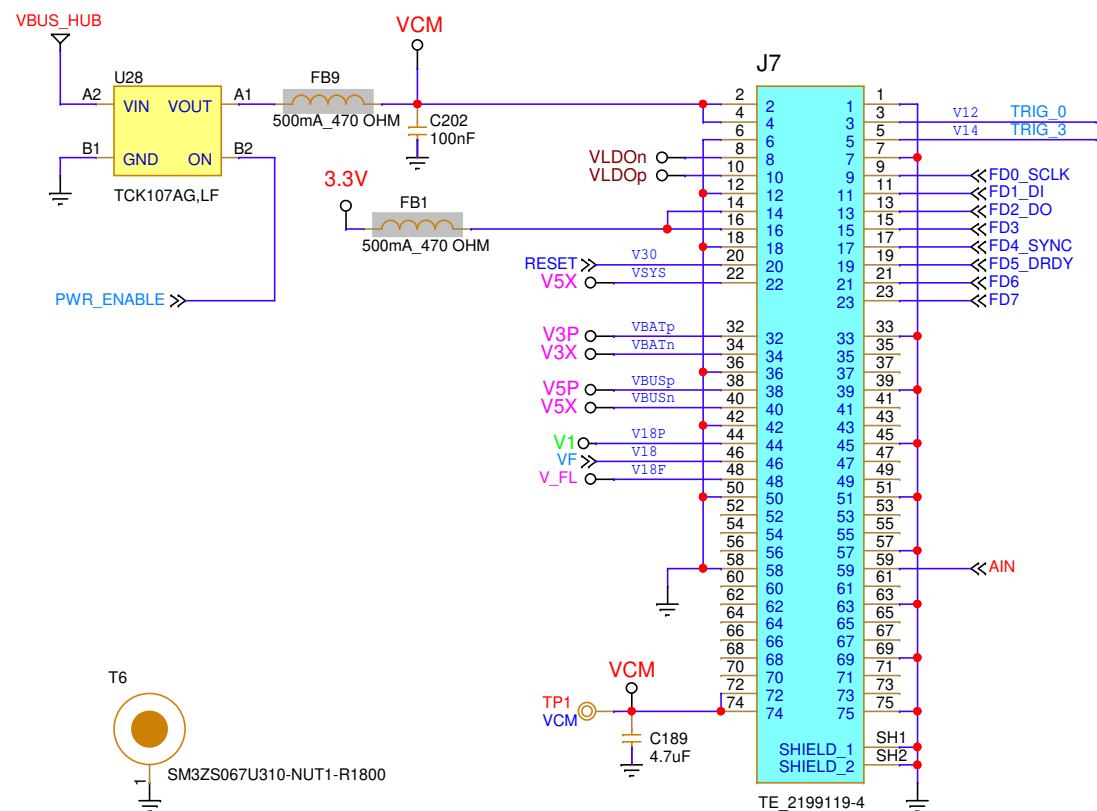
RENESAS

Renesas Electronics
 N.E.O. Athinon-Patron 15
 26441, Patra, Greece
 tel. (+30) 2610390940
 fax. (+30) 2610390941

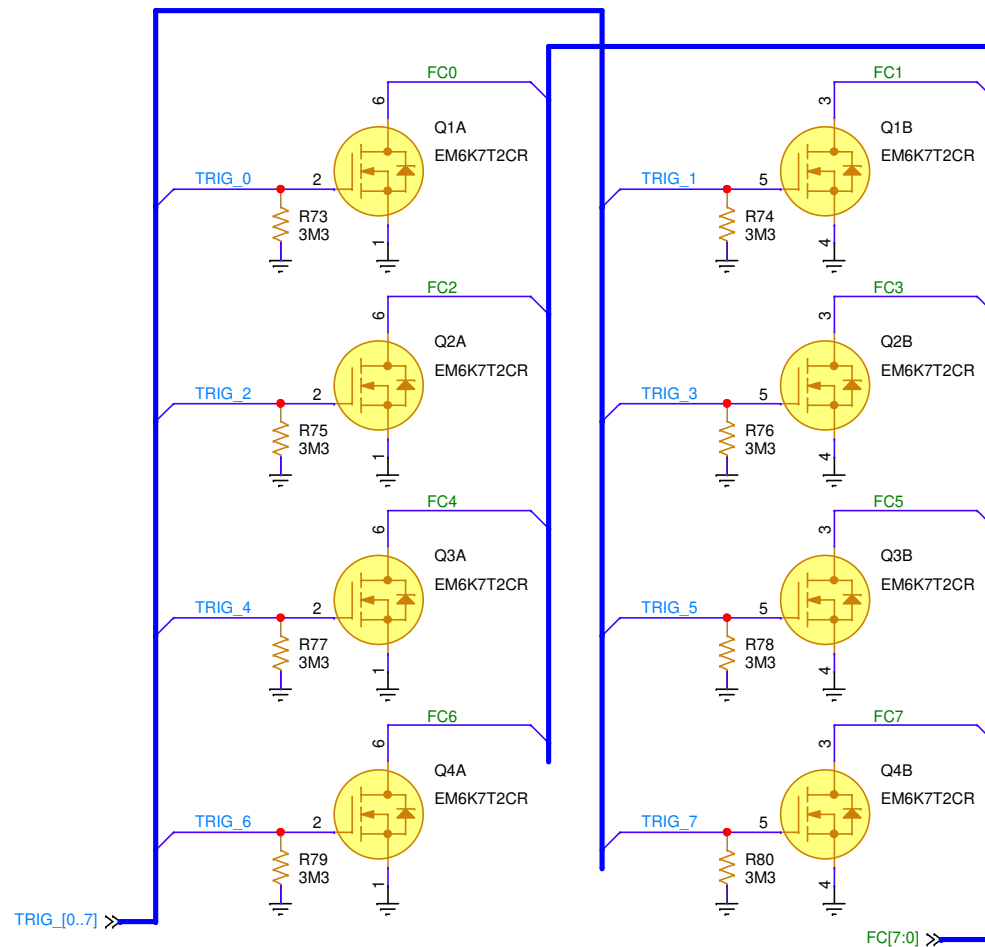


RENESAS
 Renesas Electronics
 N.E.O. Athinon-Patron 15
 26441, Patra, Greece
 tel. (+30) 2610390940
 fax. (+30) 2610390941

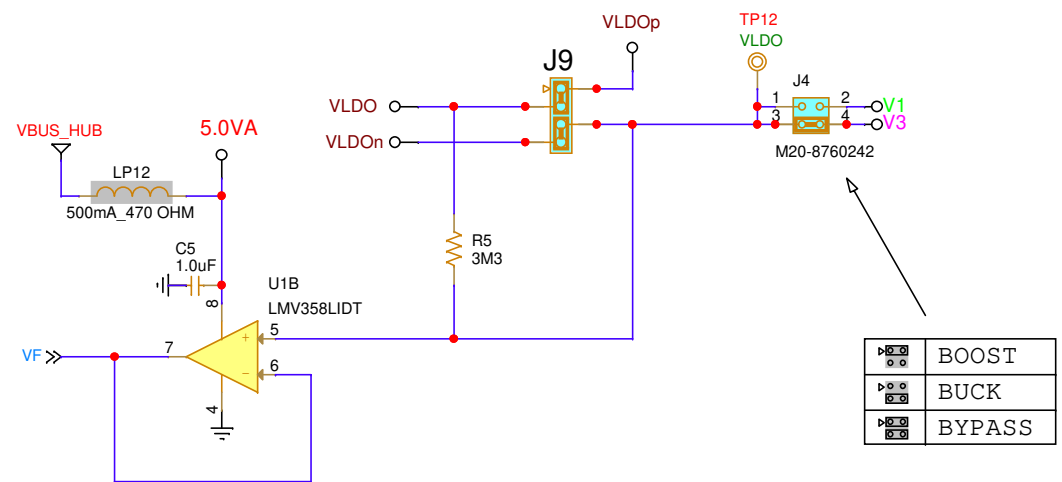
D



CURRENT MEASUREMENT SOCKET (M.2)



SOFTWARE TRIGGER OPTIONS



POWER MODE SELECTION

<input type="checkbox"/>	BOOST
<input type="checkbox"/>	BUCK
<input type="checkbox"/>	BYPASS



Renesas Electronics
 N.E.O. Athinon-Patron 15
 26441, Patra, Greece
 tel. (+30) 2610390940
 fax. (+30) 2610390941

D

C

B

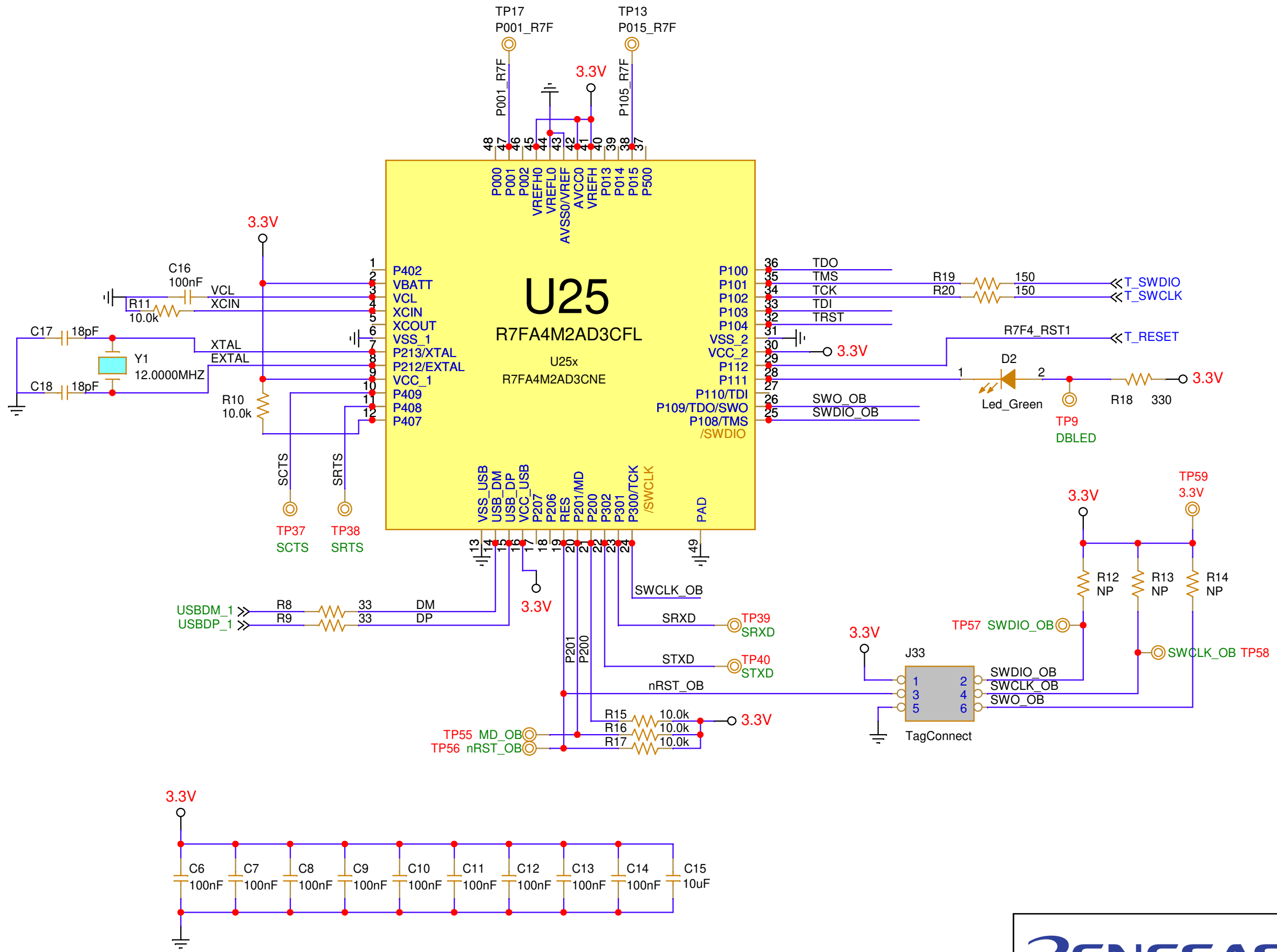
A

D

C

B

A



RENESAS

Renesas Electronics
 N.E.O. Athinon-Patron 15
 26441, Patra, Greece
 tel. (+30) 2610390940
 fax. (+30) 2610390941

Title : DA1453x DevKit Pro Mainboard		Renesas Electronics	
Doc. Nr. 610-01-B	Designer: PR	Rev: B5	
Date: Thursday, March 14, 2024	Sheet: 4 of 5		

