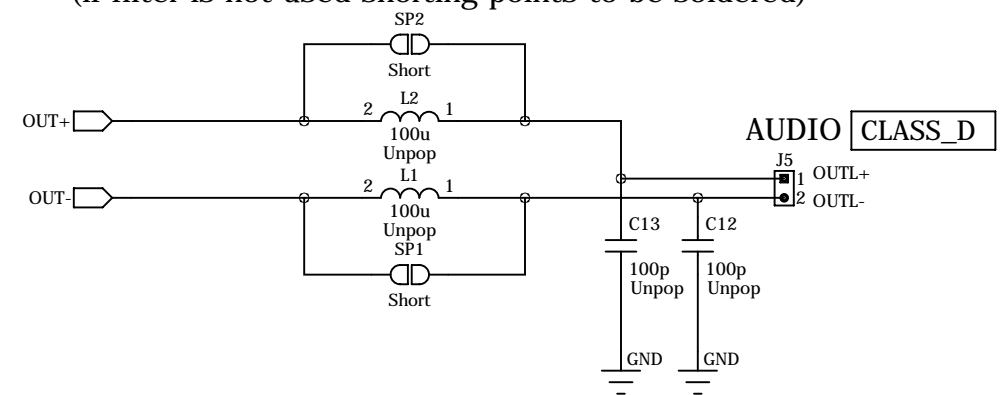


**IMPORTANT LAYOUT NOTES:**

1. FB2 right next to OUT+ on Top side of PCB
2. FB1 right next to OUT- on Top side of PCB
3. C2, C10, C3 and C11 right next to PVDD pin on TOP side of PCB
4. L1 and L2 right next to J5

**Additional Filter**  
(if filter is not used shorting points to be soldered)



TITLE: DA7202		DRAWING NO: 189-01-A		REV: A
PREPARED:	DATED: 28/03/2013	SHEET NAME:		PAGE: 1 OF 1
RESPONSIBLE:	DATED: 28/03/2013			

