

A

B

C

D

E

F

1

1

2

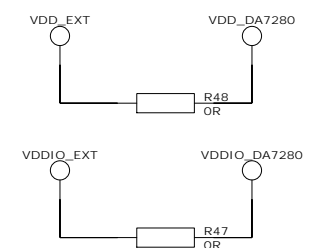
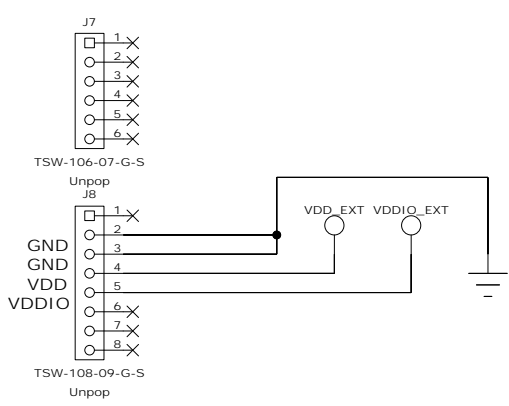
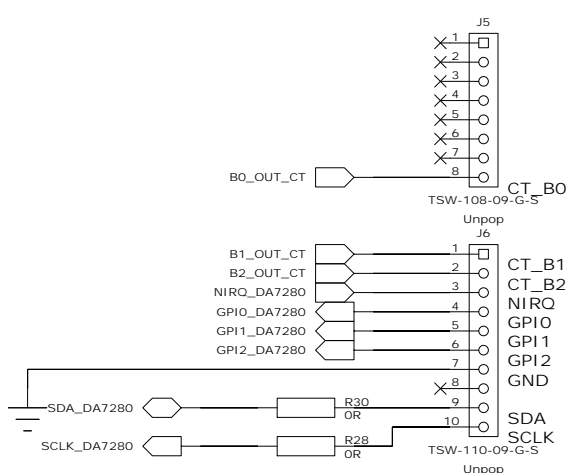
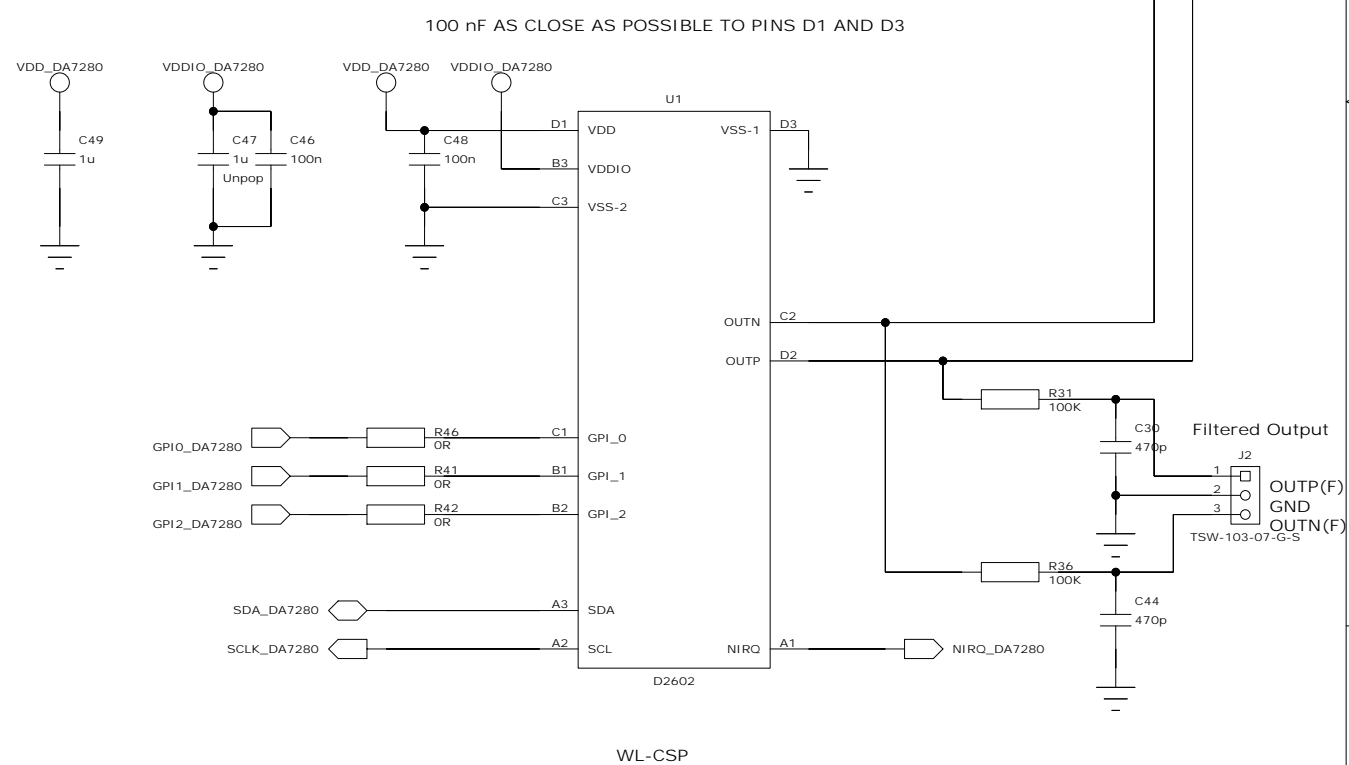
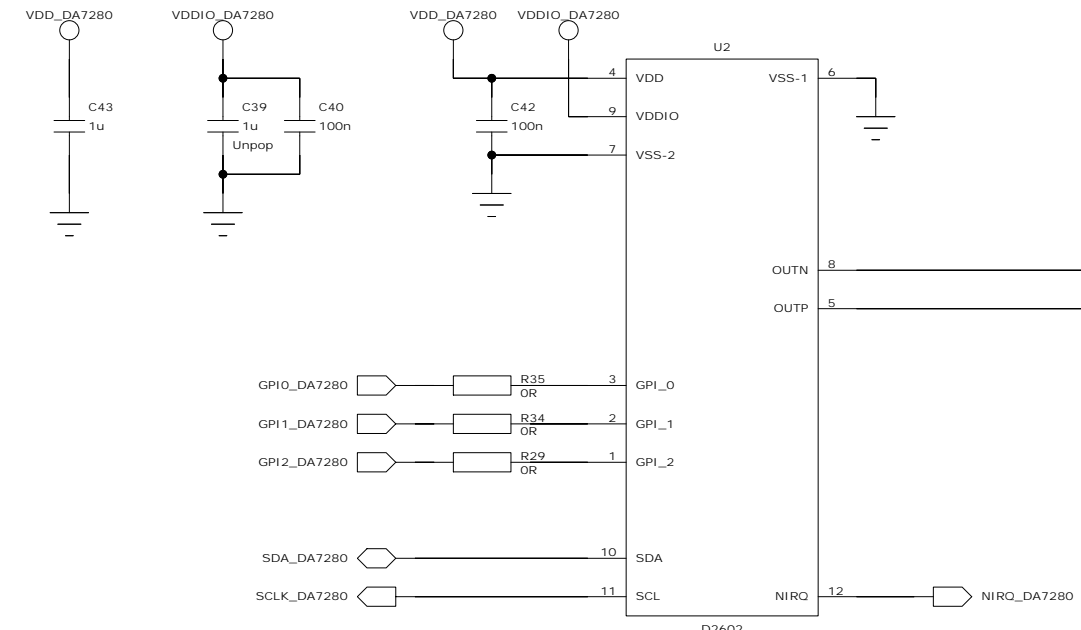
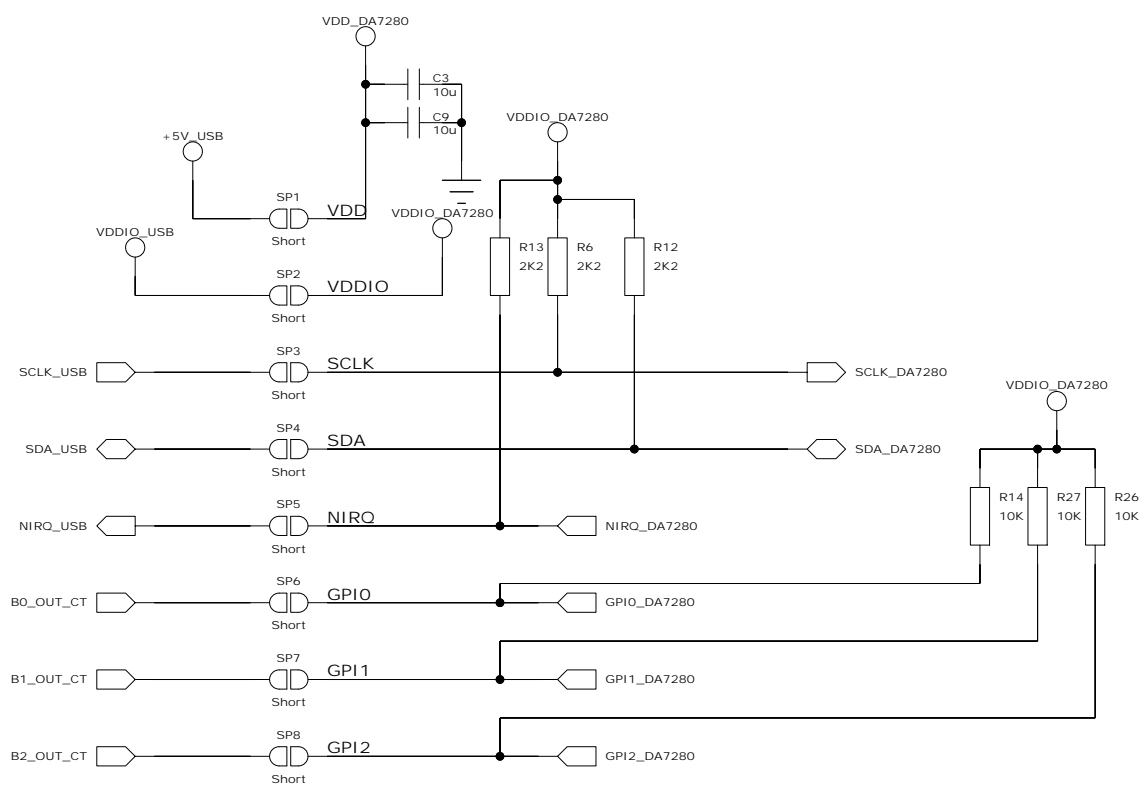
2

3

3

4

4



To fit Arduino Uno headers

SCHEMATIC TEMPLATE REV.xDxD_V7 (01-06-2017)

DESIGNED BY:

REVIEWED BY:

14/12/2017: 12: 21

14/12/2017

CONFIDENTIAL INFORMATION

SIZE A3L

SAVED DATE:

REVIEWED DATE:

TITLE: DA7280 Performance Board

VARIANT: Master Sch no Var defined

359-02-B 1000

DRAWING No:

SHEET NAME: DUT

dialog SEMICONDUCTOR

PAGE: 1 of 5

A

B

C

D

E

F

A

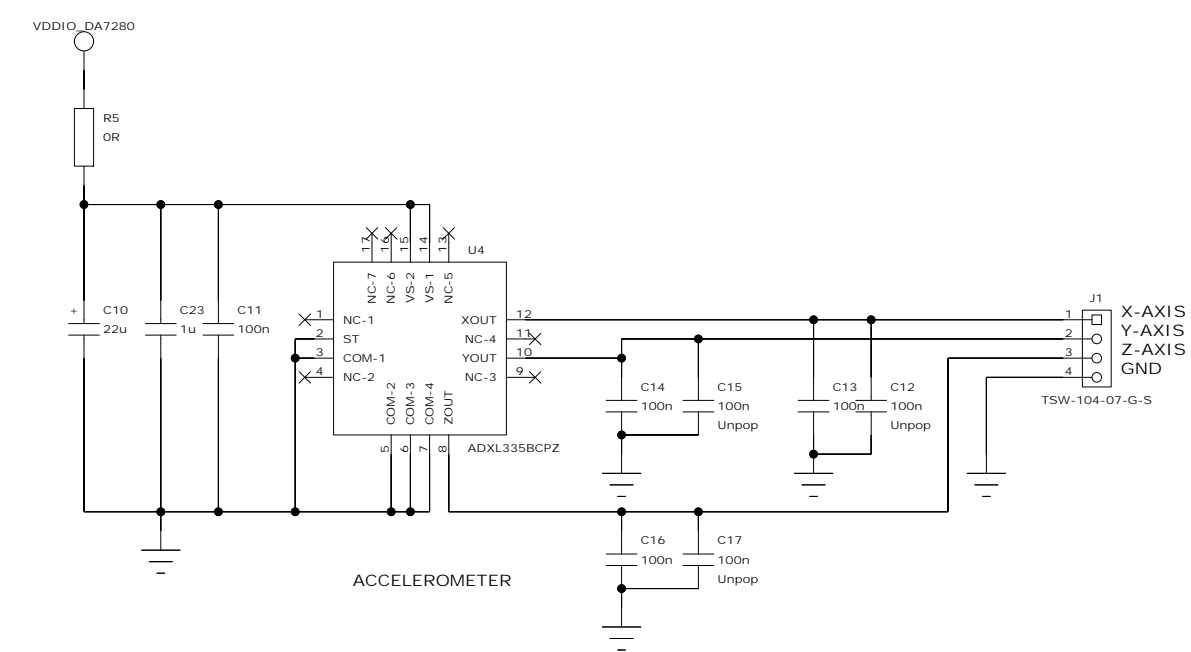
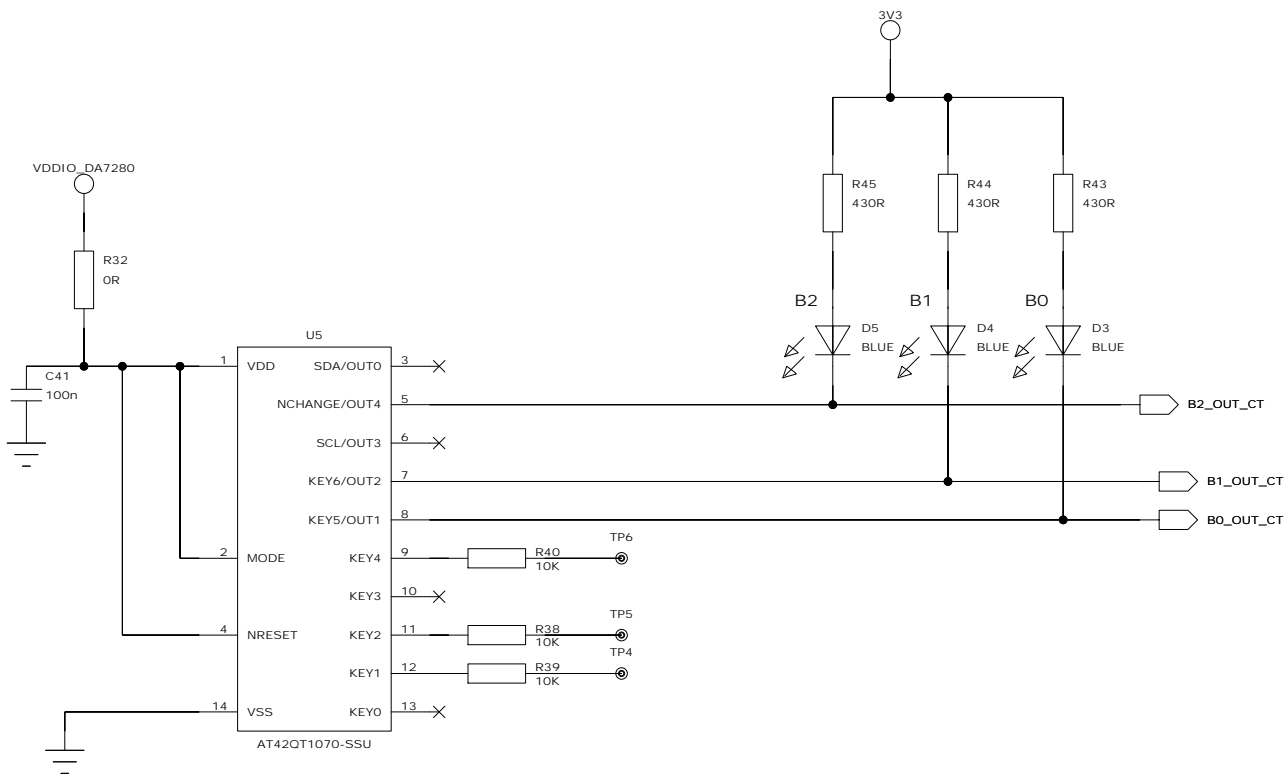
B

C

D

E

F



SCHEMATIC TEMPLATE REV.xDxD_V7 (01-06-2017)

DESIGNED BY:

REVIEWED BY:

CONFIDENTIAL INFORMATION

SAVED DATE:
14/12/2017: 12: 21

REVIEWED DATE:
14/12/2017

SIZE
A3L

TITLE: DA7280 Performance Board
VARIANT: Master Sch no Var defined

359-02-B 1000

DRAWING No:

SHEET NAME:
CAP SENSE AND ACCEL

dialog SEMICONDUCTOR

PAGE: 2 of 5

A

B

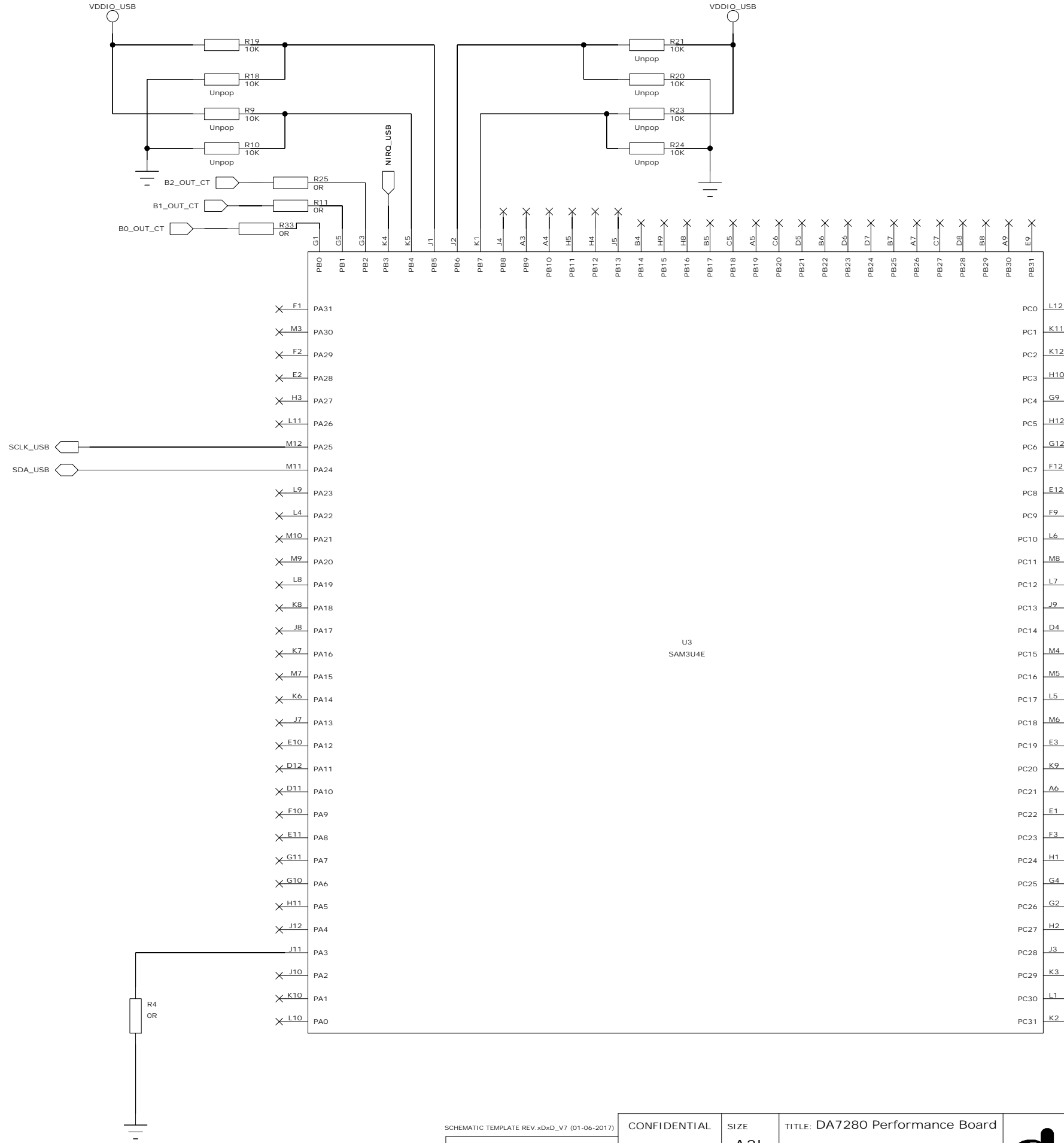
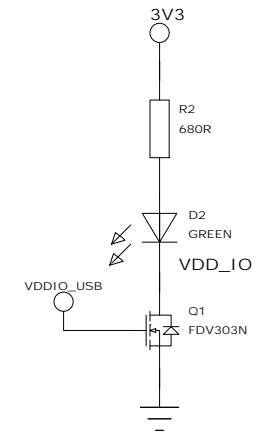
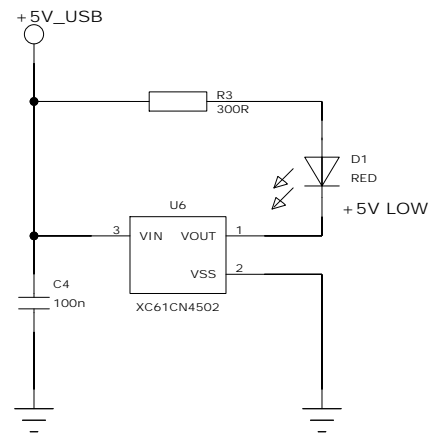
C

D

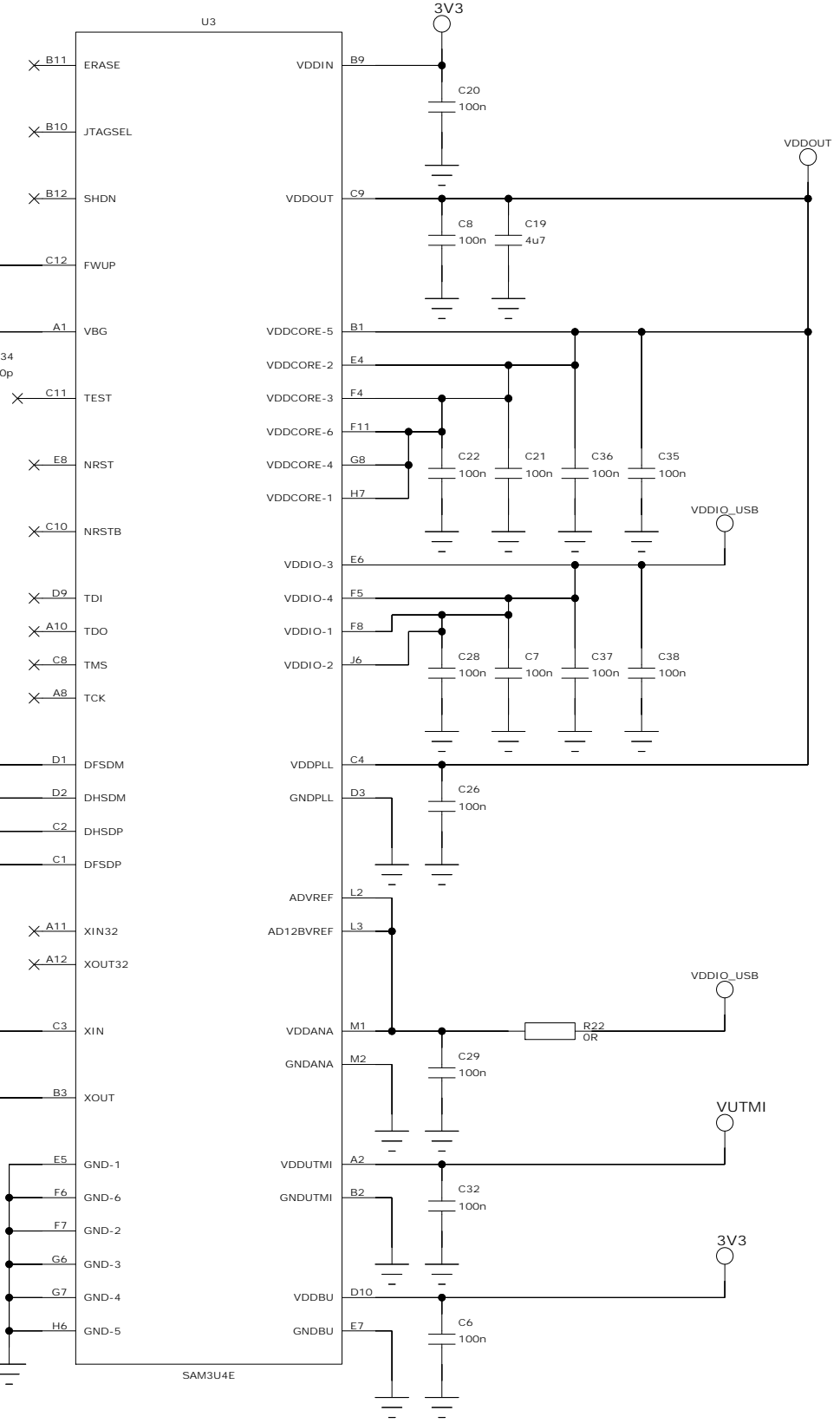
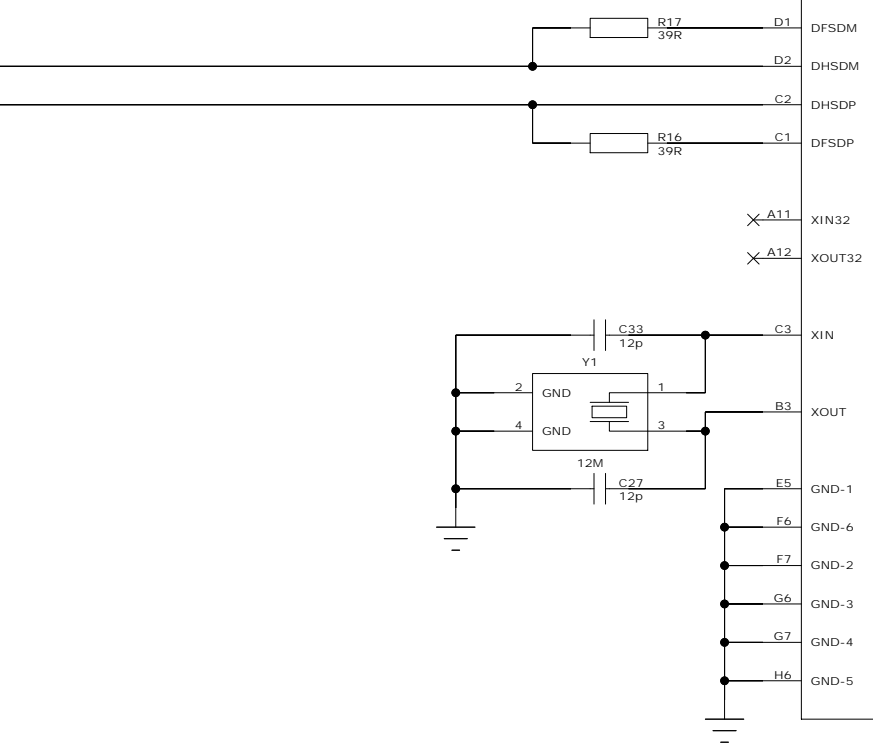
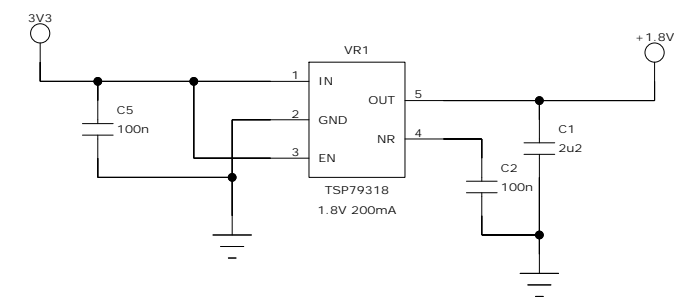
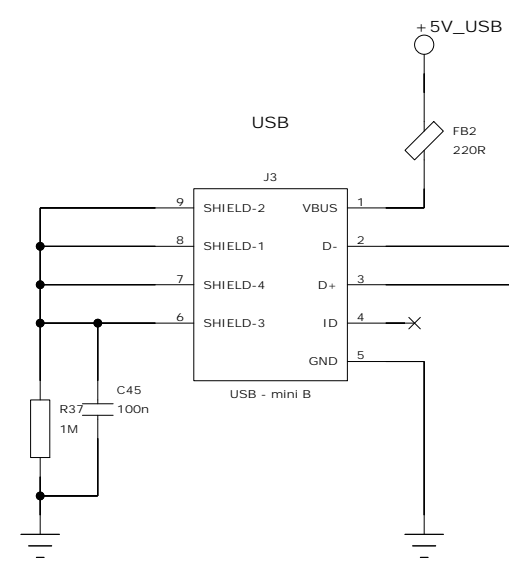
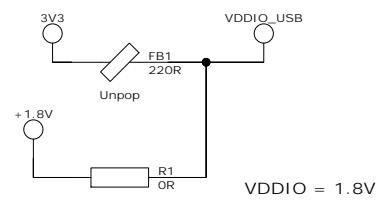
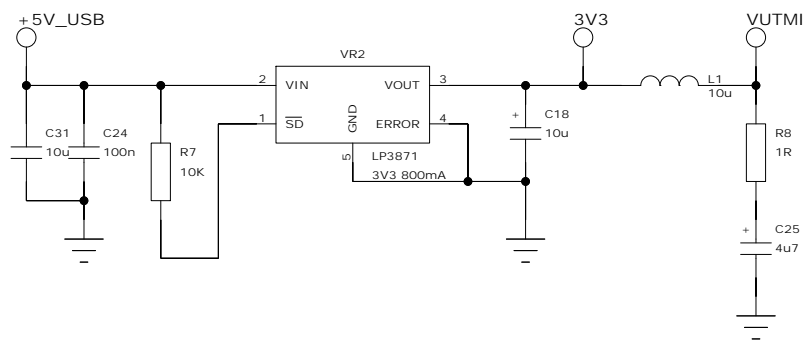
E

F

SAM3U_IOs



Schematic Template Rev: xDxD_V7 (01-06-2017)		CONFIDENTIAL INFORMATION	SIZE A3L	TITLE: DA7280 Performance Board VARIANT: Master Sch no Var defined	
DESIGNED BY:	SAVED DATE: 14/12/2017: 12: 21	359-02-B 1000		DRAWING No:	
REVIEWED BY:	REVIEWED DATE: 14/12/2017	SHEET NAME: USB_IO		PAGE: 3 of 5	



SCHEMATIC TEMPLATE REV.xDxD_V7 (01-06-2017)		CONFIDENTIAL	SIZE	TITLE: DA7280 Performance Board		
DESIGNED BY:		INFORMATION	A3L	VARIANT: Master Sch no Var defined		
REVIEWED BY:		SAVED DATE:		359-02-B 1000		BOARD No: _____ Sch Rev: _____ Variant: _____ Var Rev: _____ DRAWING No: _____ SHEET NAME: USB_IF
		14/12/2017 12: 21		PAGE: 4 of 5		
		REVIEWED DATE:		14/12/2017		

