

A

B

C

D

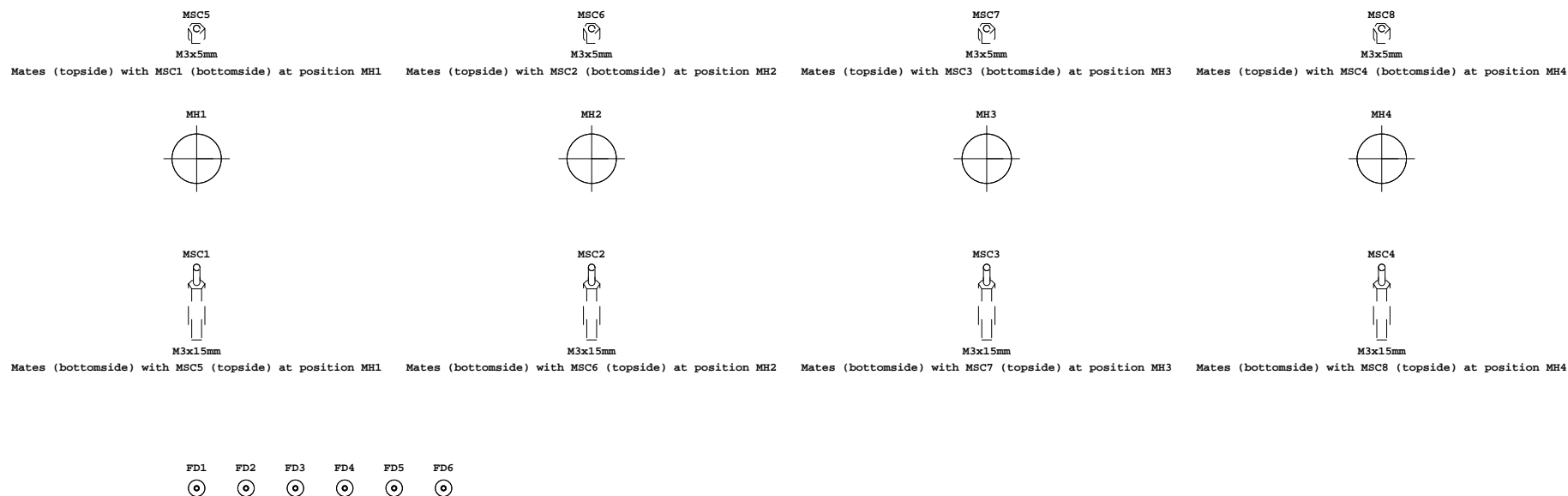
E

F

# REVISION TABLE

REV.	DATE	ENGINEER	NOTES
A1	05/07/2021	XB	Manufactured version.

# MECHANICAL PARTS



SCHEMATIC TEMPLATE REV.rxd_V8 (10-07-2019) DESIGNED BY: <b>CH, XB</b>	<b>CONFIDENTIAL</b> INFORMATION	SIZE <b>A3L</b>	TITLE: DA913x Customer Eval Board VARIANT: Master Sch no Var defined	
	SAVED DATE: 05/07/2021:11:21	<b>DA913X-30-A 1</b> <small>BOARD No.   Sch Rev   Variant   Var Rev</small>		
REVIEWED BY: <b>SK</b>	REVIEWED DATE:	SHEET NAME: <b>Revision and Mechanical</b>		PAGE: <b>1</b> of <b>3</b>

A

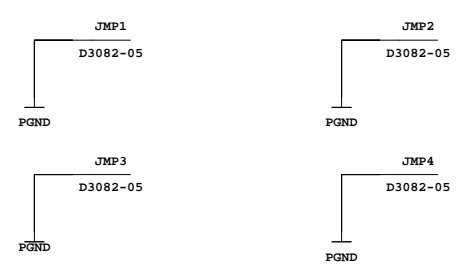
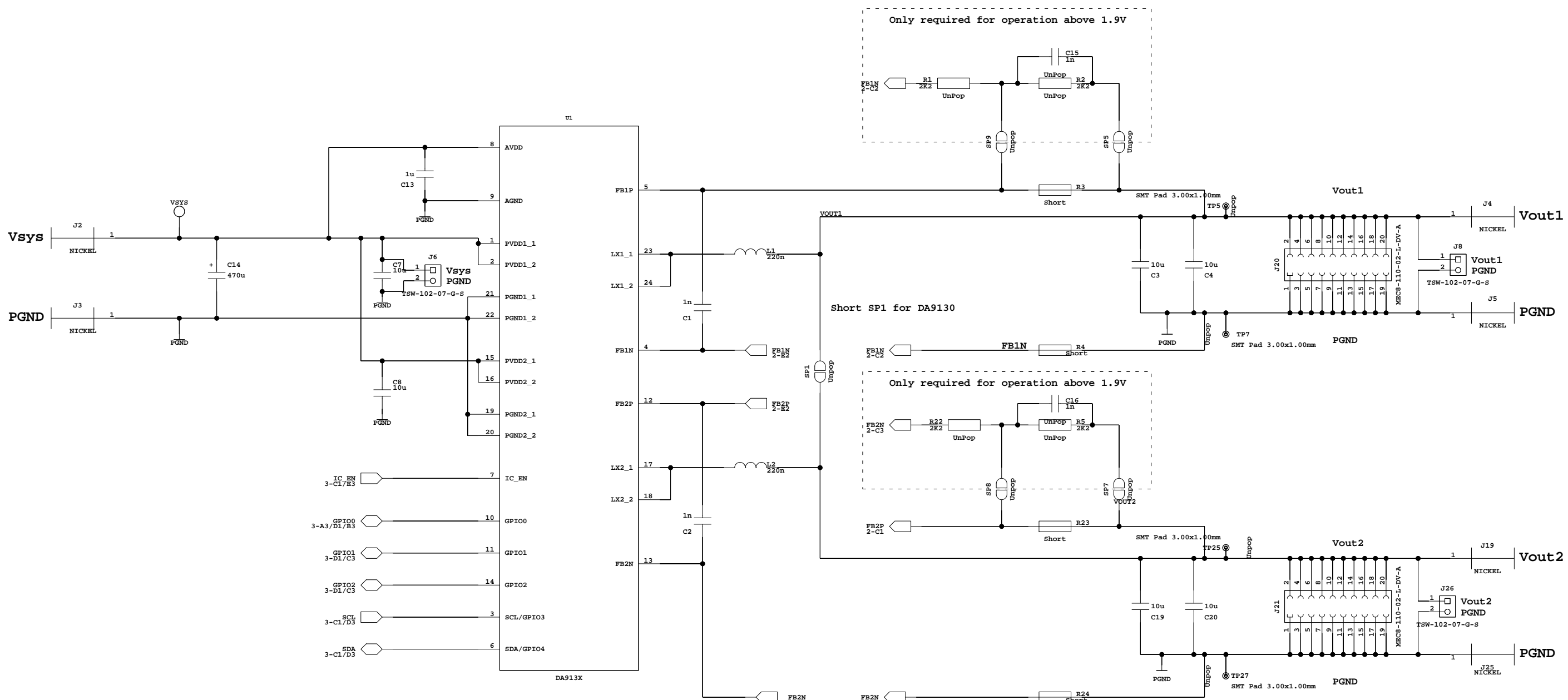
B

C

D

E

F



Comments:  
 - 70um copper planes top/bottom  
 - Fill copper areas top/bottom  
 - Place 20 thermal vias under U1  
 - Place 2mm 1mm pitch  
 - Place 60 thermal vias around U1  
 - Place 2mm 10mm pitch  
 - 2mm clearance between J15 and the board edge

Specific to DA9130:  
 - Short SP1  
 - Open R23 and R24  
 - Do not populate C2

SCHEMATIC TEMPLATE REV.xdxd_V8 (10-07-2019) DESIGNED BY: CH, XB REVIEWED BY: SK	CONFIDENTIAL INFORMATION	SIZE A3L	TITLE: DA913x Customer Eval Board VARIANT: Master Sch no Var defined		
	SAVED DATE: 03/12/2021:15:12	DA913X-30-A 1			
	DRAWING No.:	SHEET NAME: DA913x			PAGE: 2 of 3
	REVIEWED DATE:	BOARD No.: [ ] Sch Rev: [ ] Variant No.: [ ] Var Rev: [ ]			

A

B

C

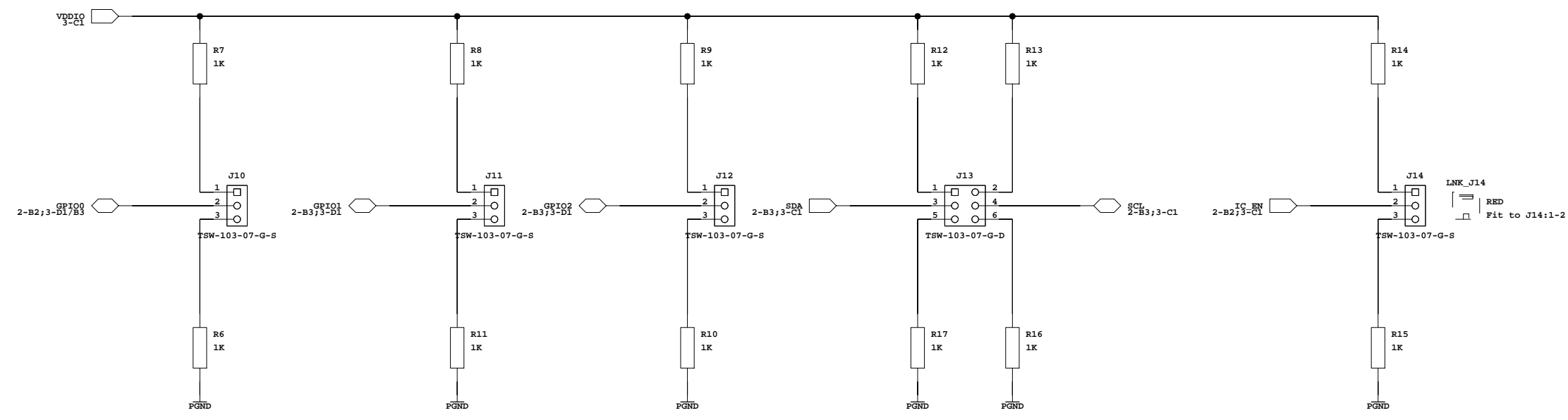
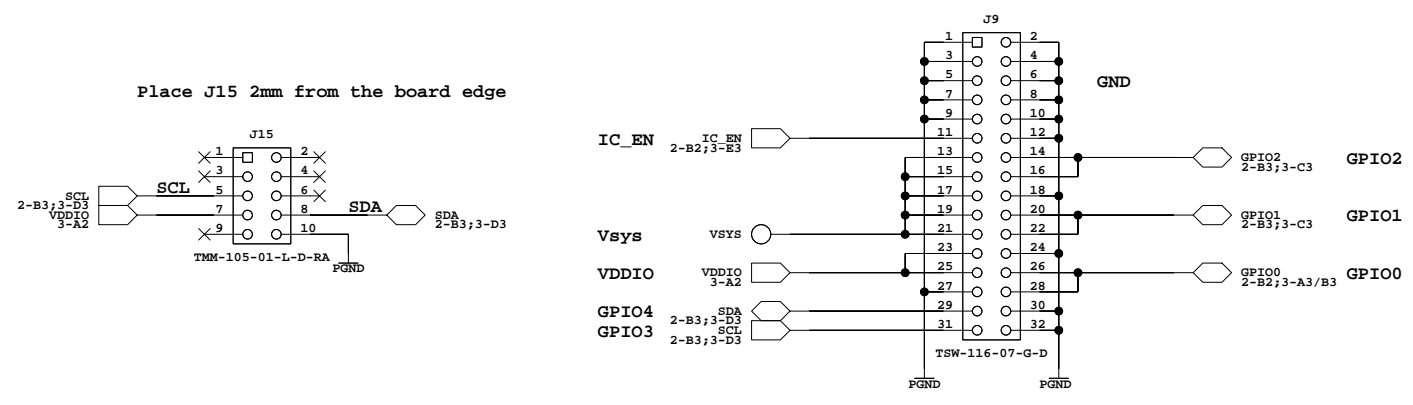
D

E

F

1

1



2

2

3

3

4

4

Schematic Template Rev.xdxd_V8 (10-07-2019)		CONFIDENTIAL	SIZE	TITLE: DA913x Customer Eval Board	
DESIGNED BY: CH, XB		INFORMATION	A3L	VARIANT: Master Sch no Var defined	
REVIEWED BY: SK		SAVED DATE: 25/06/2021:16:59	DA913X-30-A 1		
		REVIEWED DATE:	DRAWING No:	PAGE: of	
			SHEET NAME: GPIOs	3 3	

A

B

C

D

E

F

