

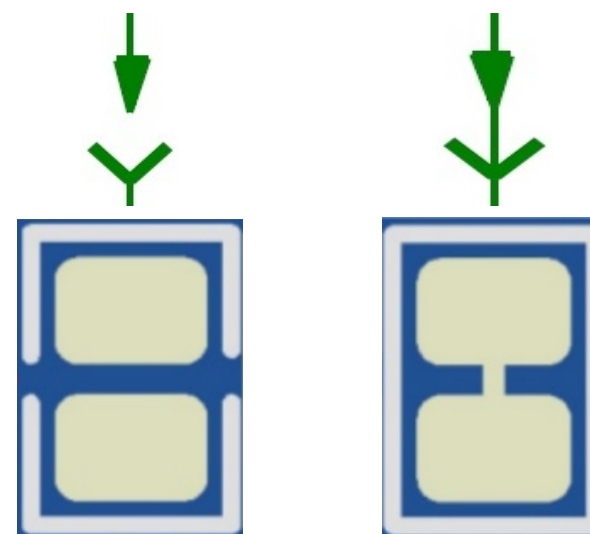
Rev	COMMENT	DATE	DRAWN BY
1.00	MP	17/10/2023	SSDH2

FPB-R9A02G021

Table of Contents:

- Page 1 : Title Page
- Page 2 : MCU & Pin Headers
- Page 3 : Power Supply & HMI Features
- Page 4 : Arduino & Grove
- Page 5 : Pmod 1 & Pmod 2
- Page 6 : Debugger

Note :
 "DNF" marking means that component is not fitted by default.
 Figure in right shows Jumper Solder Bridge and Jumper Trace Cut.
 (Schematic symbol and footprint)



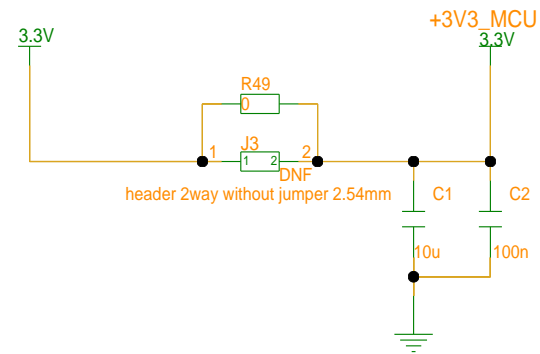
Jumper Solder Bridge

Jumper Trace Cut

RENESAS Renesas Electronics	
Title FPB-R9A02G021	
Title	
Size A3	Document Number D019862_04
Date: Tue Oct 17 13:33:53 2023	PAGE 1 OF 6 1.00

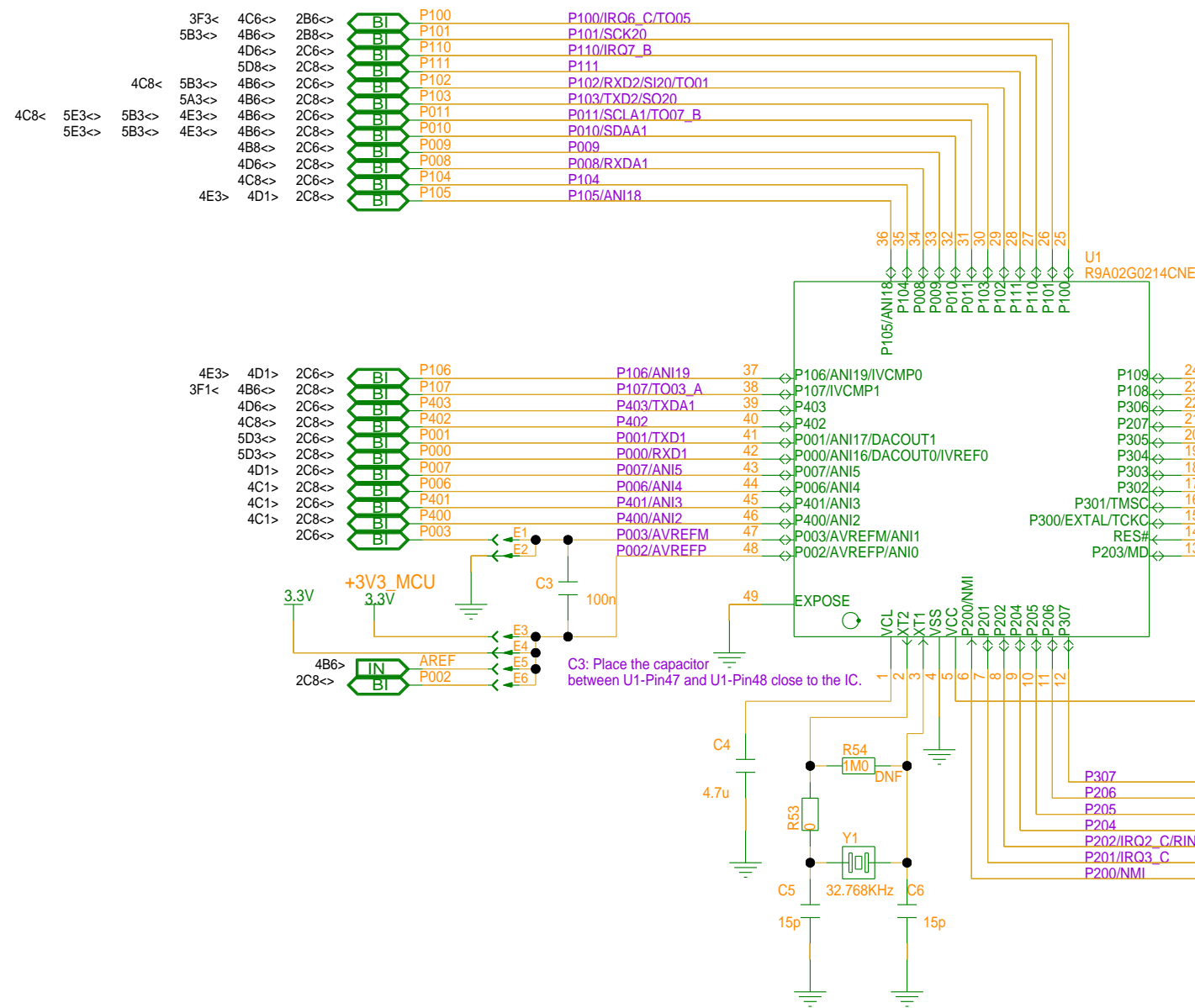
MCU CURRENT MEASUREMENT

PIN HEADERS

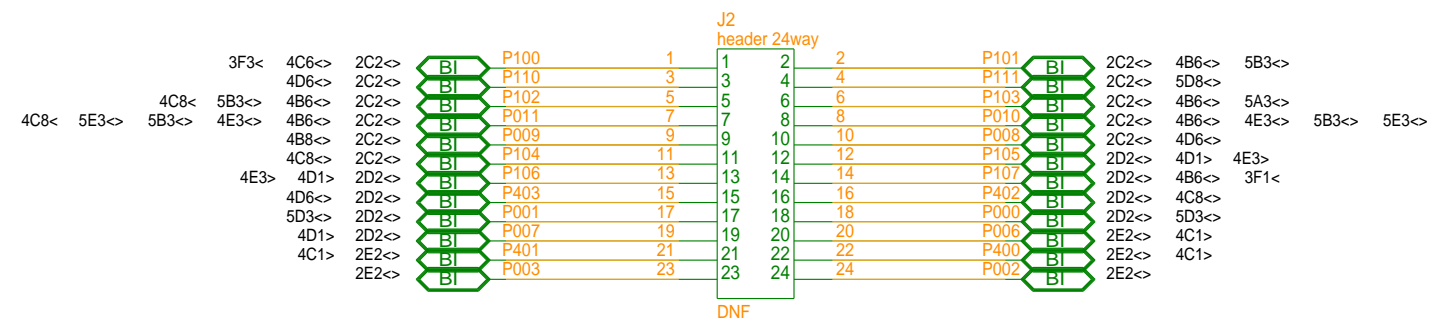
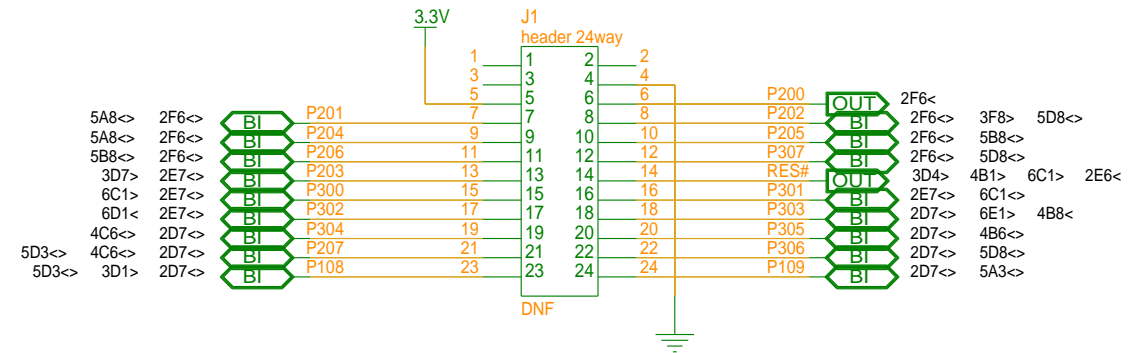


C1: Place the capacitor at branch point of C2 and C3.
C2: Place the capacitor between U1-Pin5 and U1-Pin4 close to the IC.

MCU

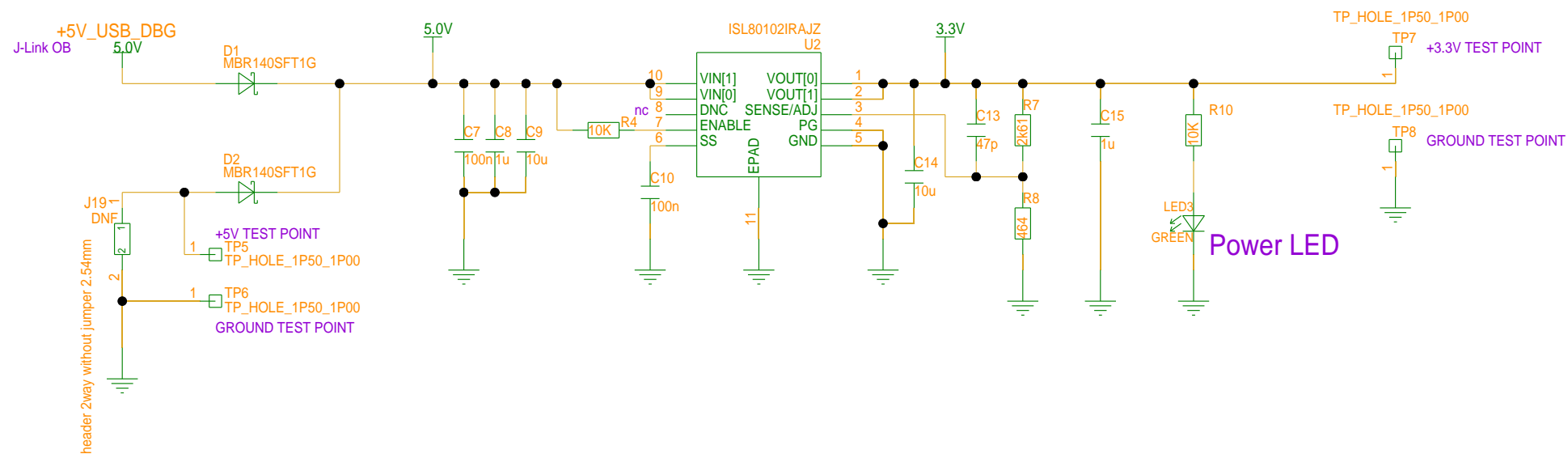


C3: Place the capacitor between U1-Pin47 and U1-Pin48 close to the IC.

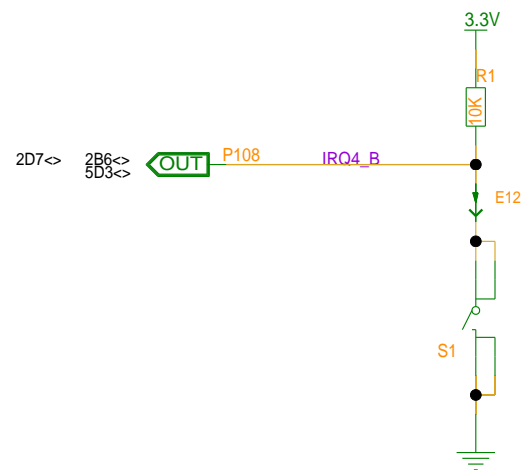


Microcontroller's pins are not described by the full pin function.
For full pin functions details, refer to R9A02G021 manual.

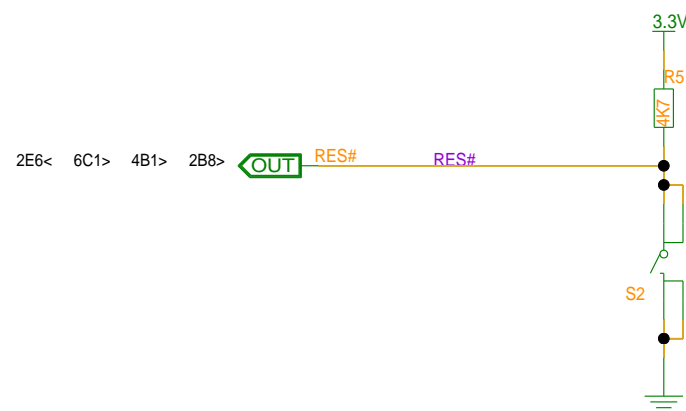
3.3V LINEAR REGULATOR



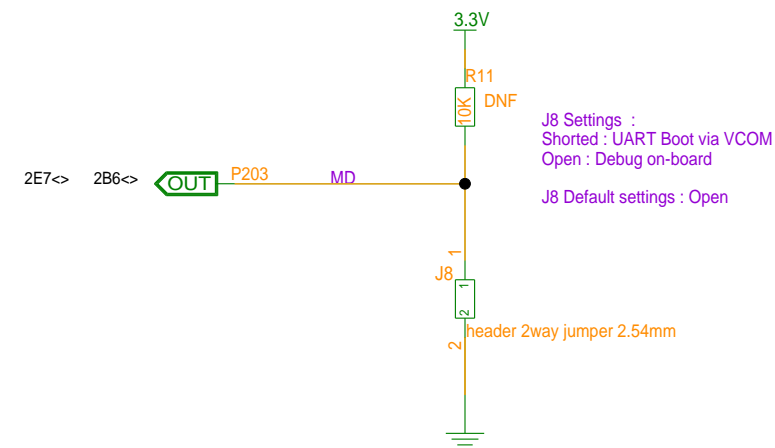
USER PUSH-SWITCH



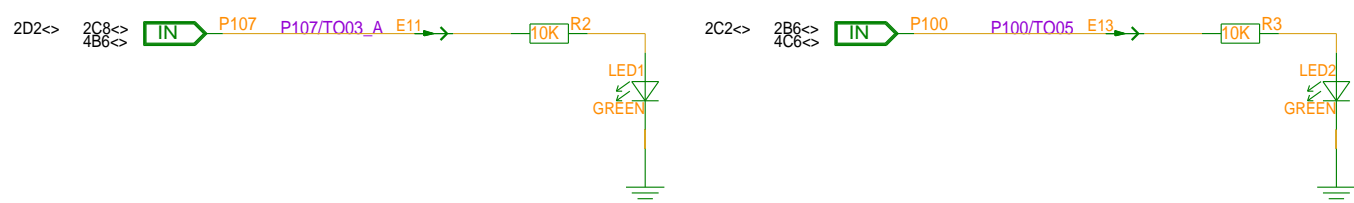
RESET PUSH-SWITCH



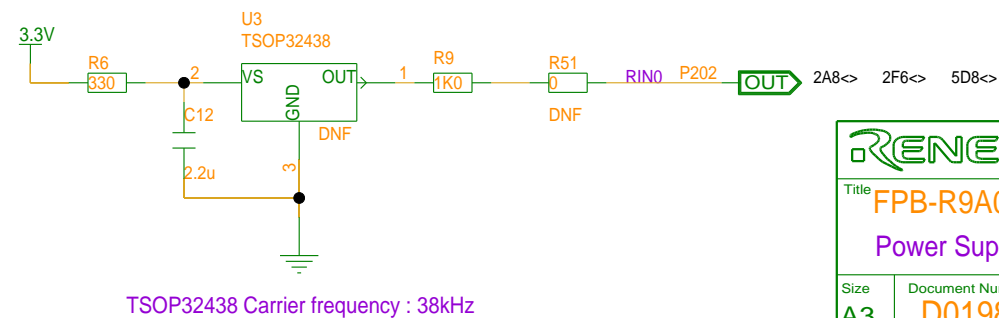
MCU BOOT MODE



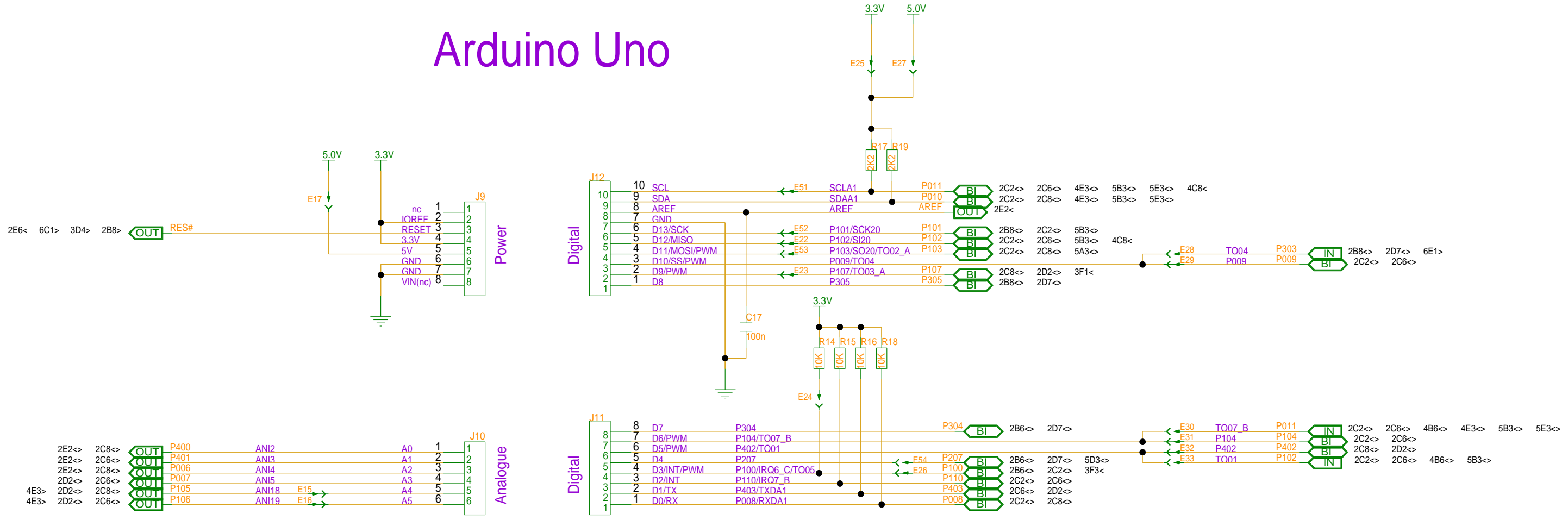
USER LEADS



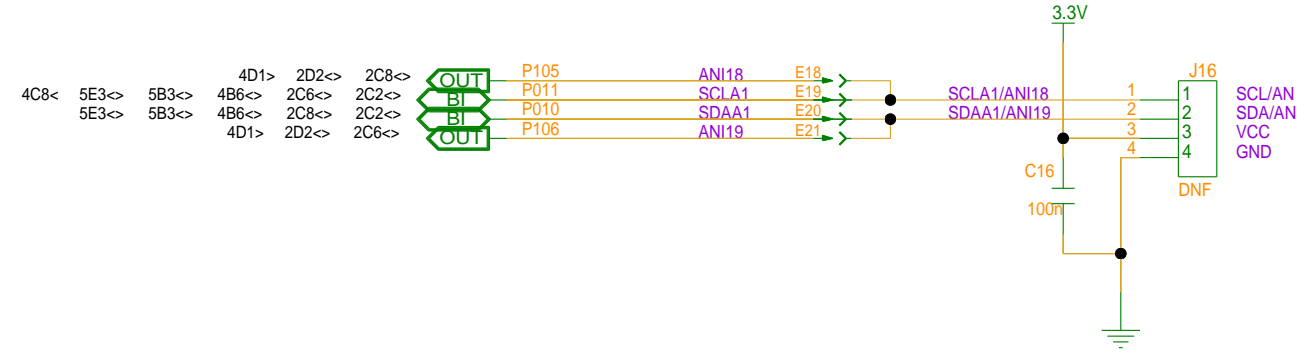
IR RECEIVER

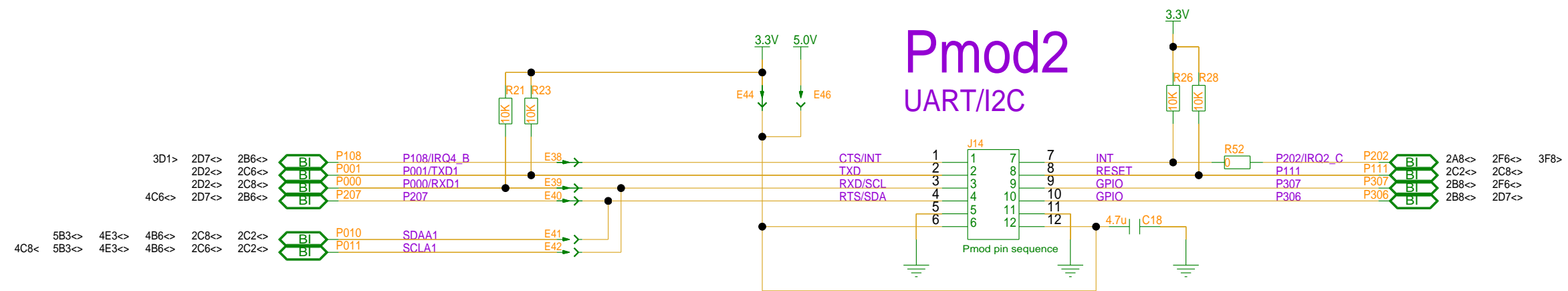
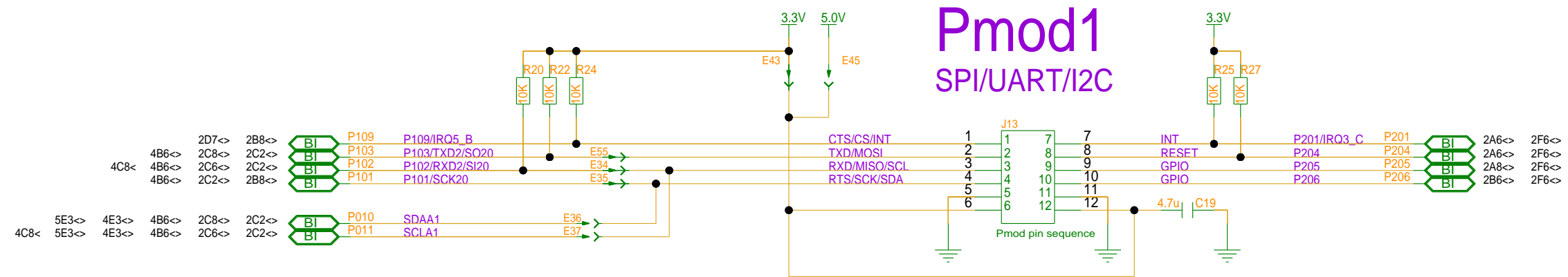


Arduino Uno



Grove I2C/Analogue

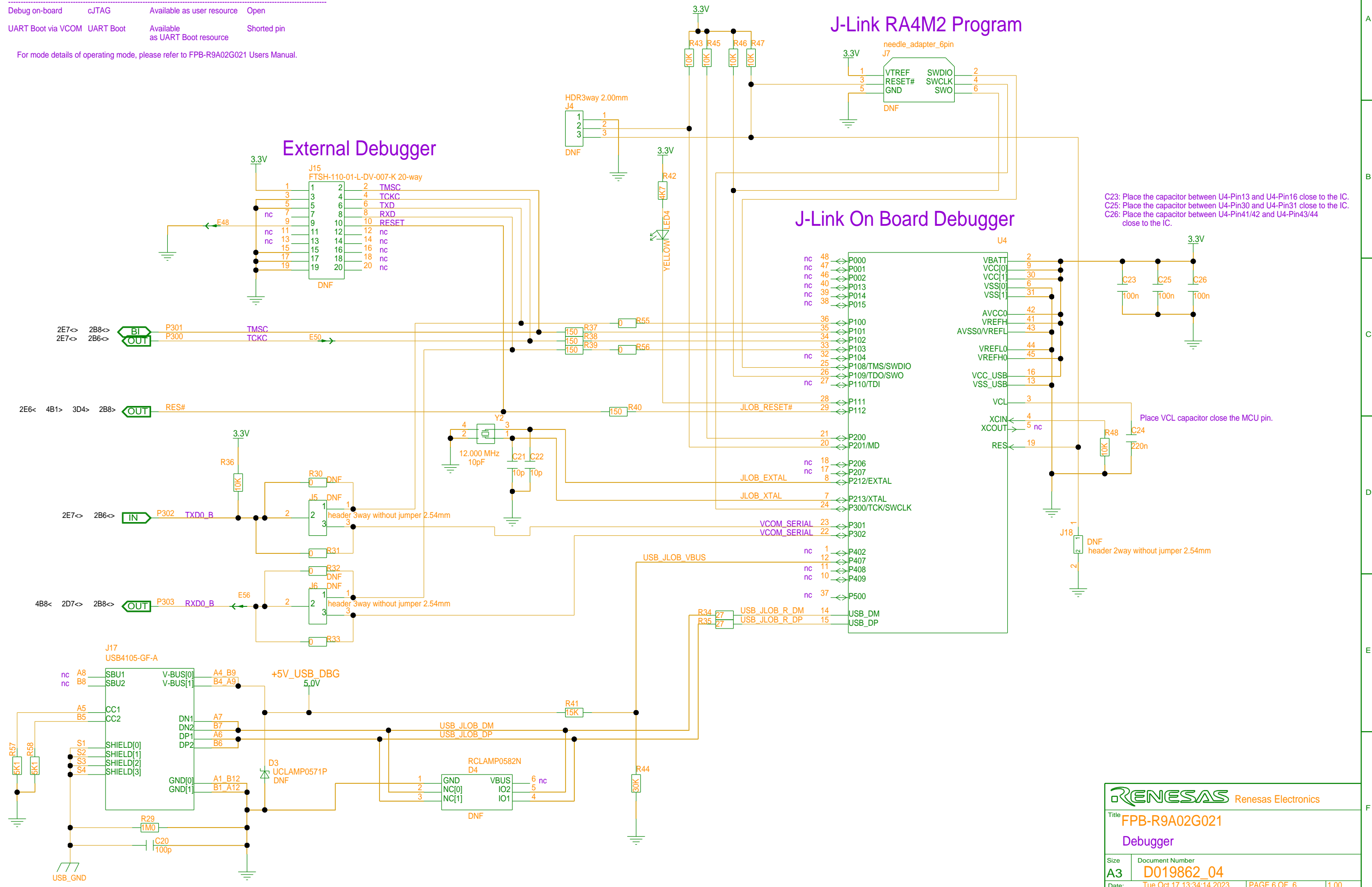




Mode configuration

Operating Mode	Debug / Prog IF	VCOM	J8 (Page.2)
Debug on-board	cJTAG	Available as user resource	Open
UART Boot via VCOM	UART Boot	Available as UART Boot resource	Shorted pin

For mode details of operating mode, please refer to FPB-R9A02G021 Users Manual.



C23: Place the capacitor between U4-Pin13 and U4-Pin16 close to the IC.
 C25: Place the capacitor between U4-Pin30 and U4-Pin31 close to the IC.
 C26: Place the capacitor between U4-Pin41/42 and U4-Pin43/44 close to the IC.

Place VCL capacitor close the MCU pin.

RENESAS Renesas Electronics	
Title FPB-R9A02G021	
Debugger	
Size A3	Document Number D019862_04
Date: Tue Oct 17 13:34:14 2023	PAGE 6 OF 6 1.00