

Low Voltage Inverter Board for Motor Control Evaluation Board - LVI400  
(RTKOEMGPLVB00000BJ)  
Schematics

- 01 : Conten
- 02 : Inverter
- 03 : Connector
- 04 : History

Supplementary explanation :

DNP: unmounted part

Access point: <horizontal, vertical page>

Ex.

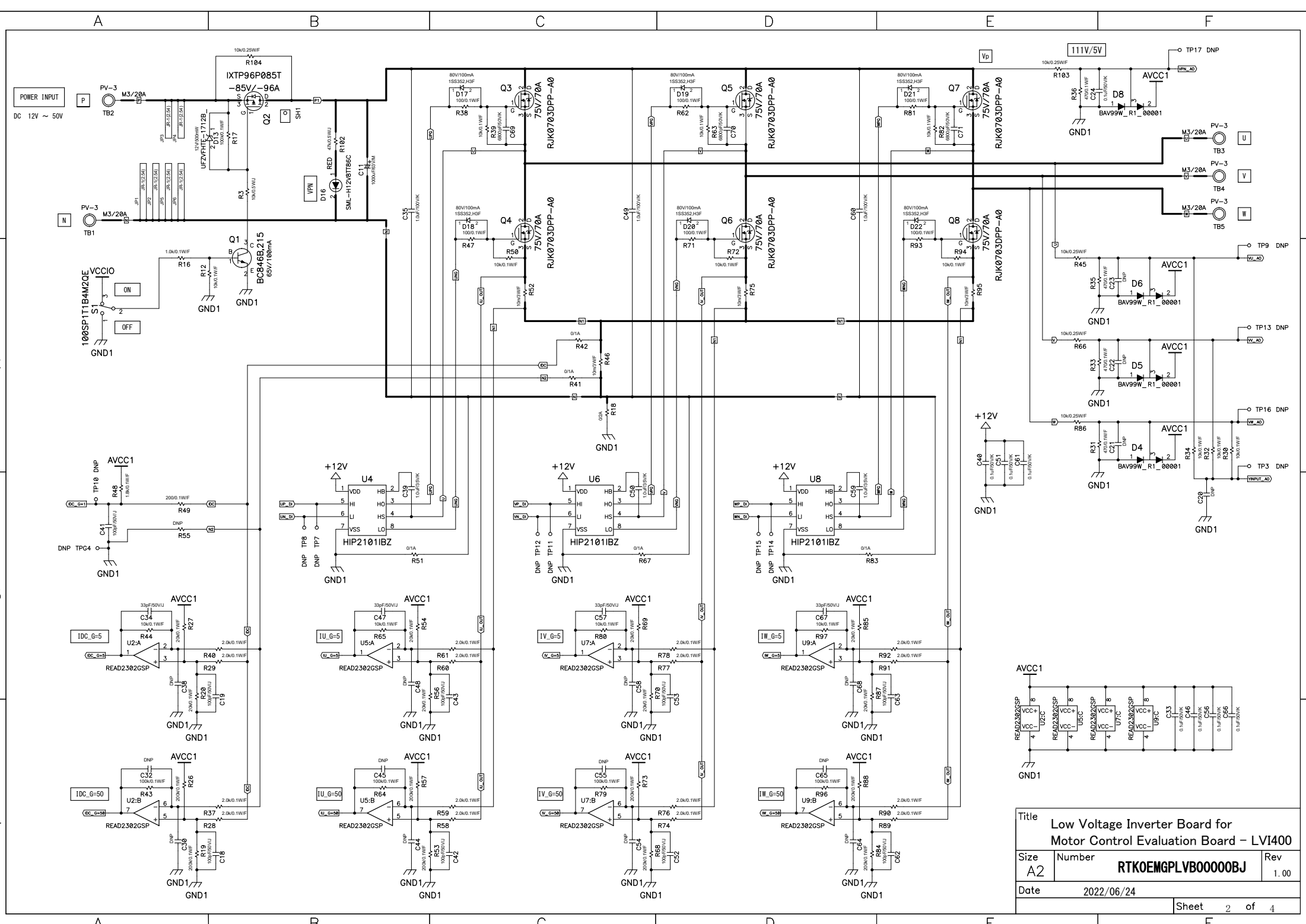
< C 4 3 >

page

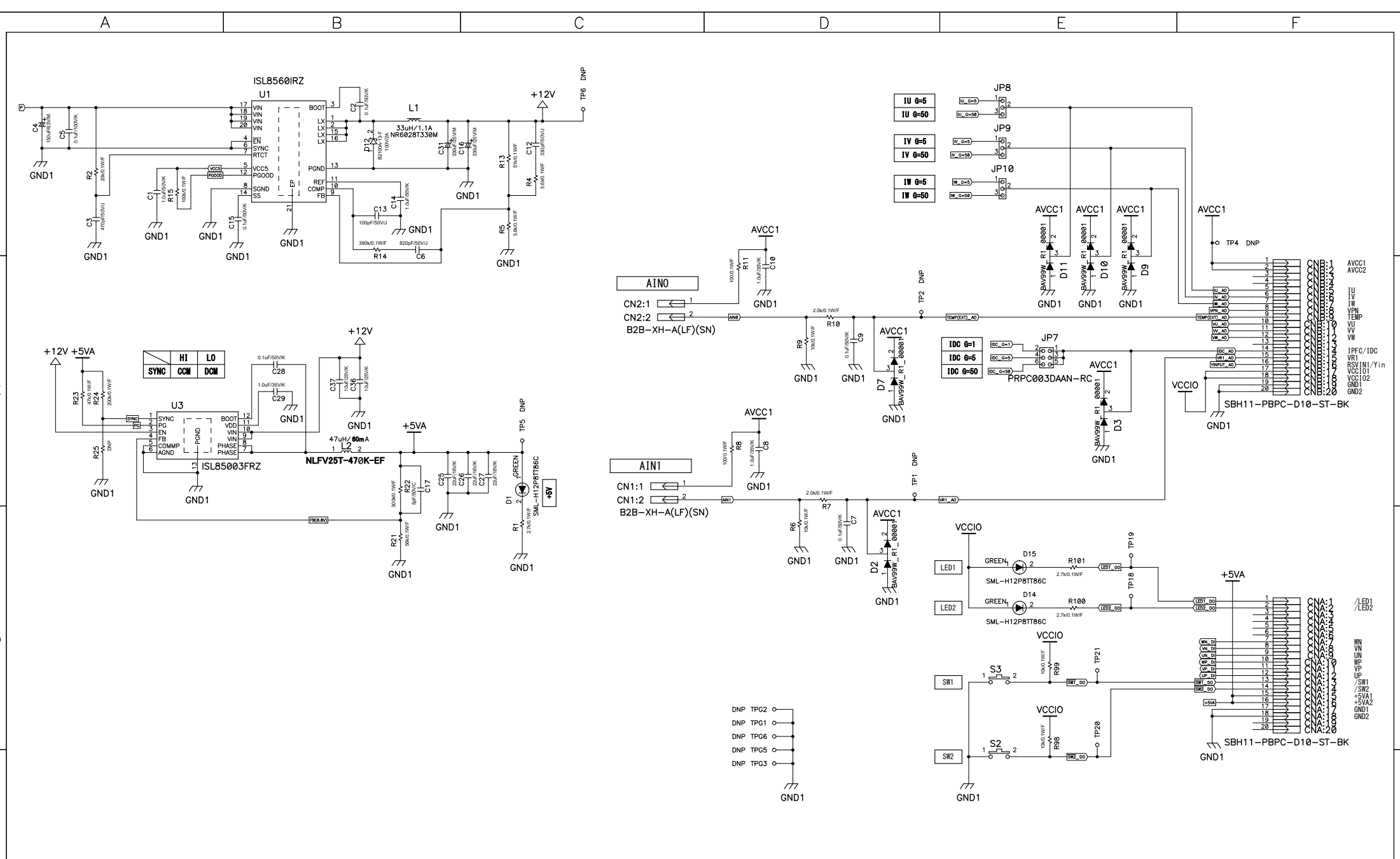
vertical

horizontal

Title			Low Voltage Inverter Board for Motor Control Evaluation Board - LVI400
Size	Number	Rev	
A2	RTKOEMGPLVB00000BJ	1.00	
Date		2022/06/24	
Sheet		1 of 4	



Title			Low Voltage Inverter Board for Motor Control Evaluation Board - LVI400	
Size	A2	Number	RTKOEINGPLV00000BJ	
Date	2022/06/24		Rev	1.00
			Sheet	2 of 4



Title			Low Voltage Inverter Board for Motor Control Evaluation Board - LVI400		
Size	Number	Rev			
A2	RTKOEINGPLVB0000BJ	1.00			
Date			2022/06/24		
Sheet			3 of 4		

A

B

C

D

E

F

### History

Rev.	Date	Page	Summary
1.0	2022/6/24	—	First edition

1

1

2

2

3

3

4

4

Title			Low Voltage Inverter Board for Motor Control Evaluation Board – LVI400
Size	Number	Rev	
A2	RTKOENGPLVB00000BJ	1.00	
Date		2022/06/24	
			Sheet 4 of 4

A

B

C

D

E

F