

P03301-C0-002  
Sheet3

2000W @ 85V - 264V RMS  
385 - 400V DC rated voltage

85V - 264V RMS  
20A RMS @ 100V RMS, 7.6A RMS @ 264V RMS

Sheet2  
P03301-C0-001  
Sheet3  
P03301-C0-001

U, V, W (D1)

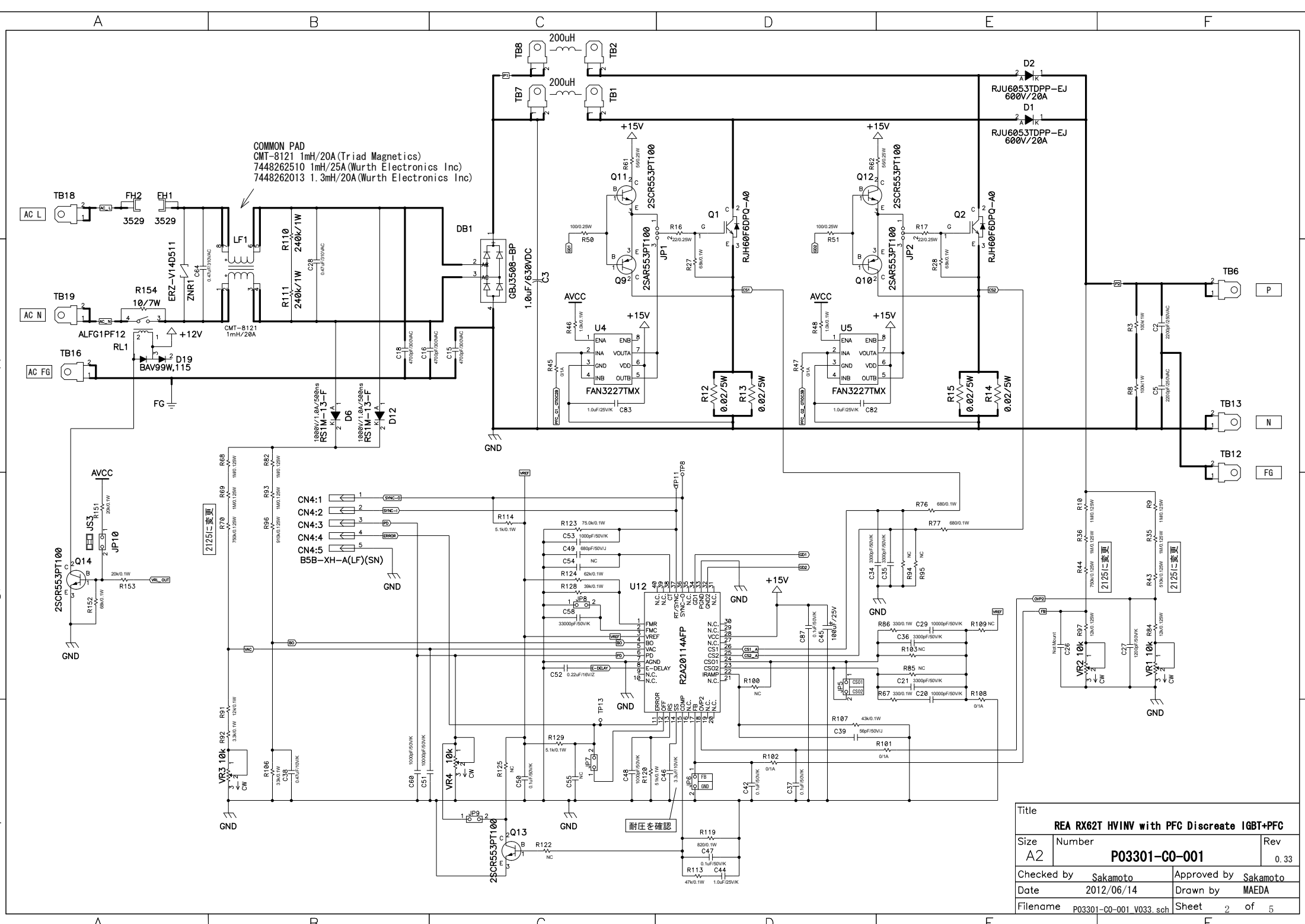
A, B, Z (D1)

Sheet5  
P03301-C0-001

Title		
REA RX62T HVINV with PFC Discreate IGBT+PFC		
Size	Number	Rev
A2	P03301-C0-001	0.33
Checked by	Sakamoto	Approved by Sakamoto
Date	2012/06/14	Drawn by MAEDA
Filename	P03301-C0-001 V033.sch	Sheet 1 of 5

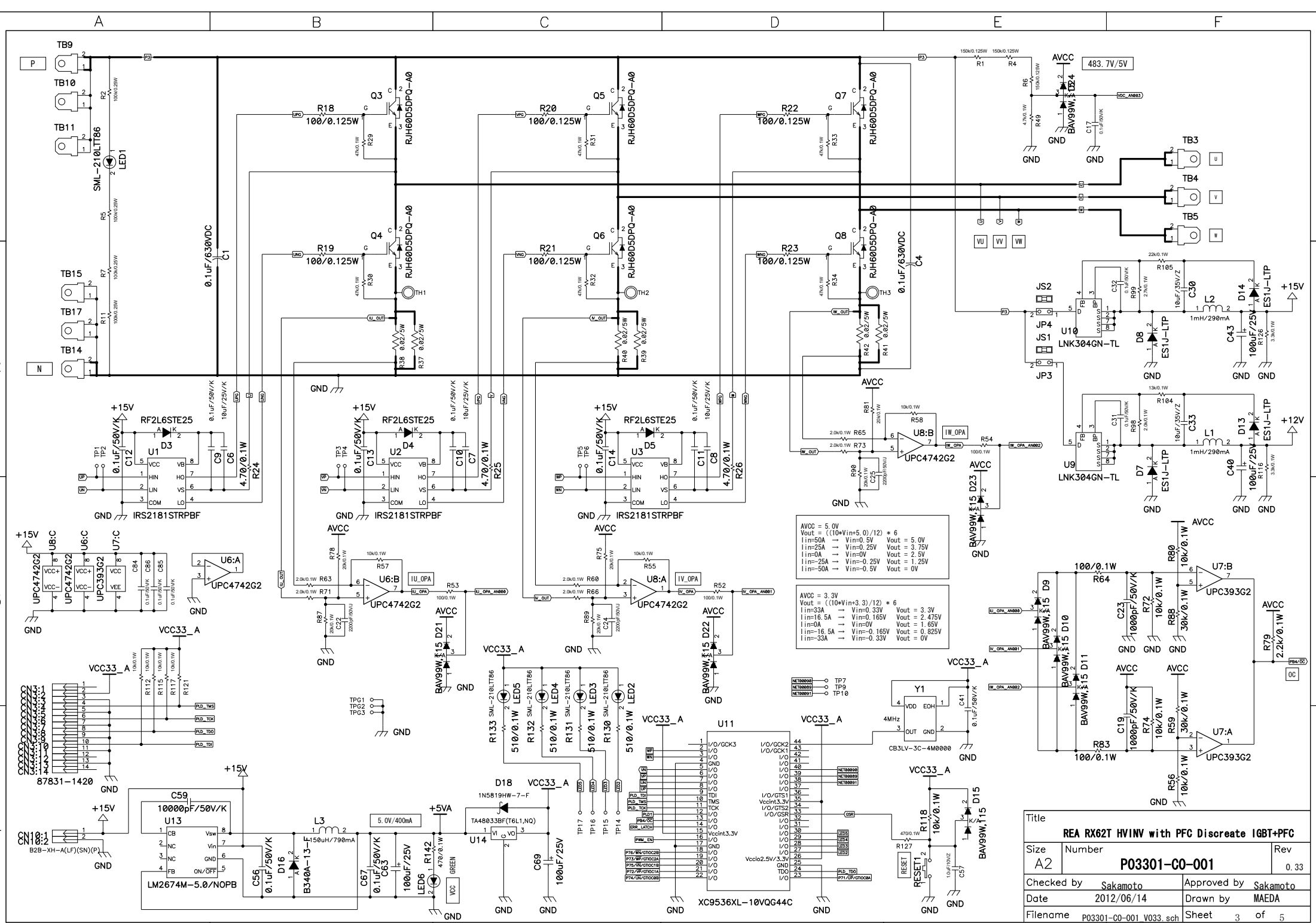
Sheet2  
P03301-C0-004

Sheet5  
P03301-C0-001

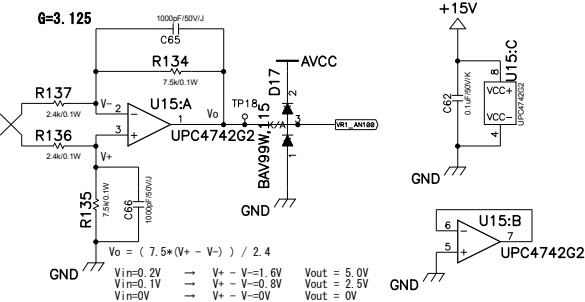
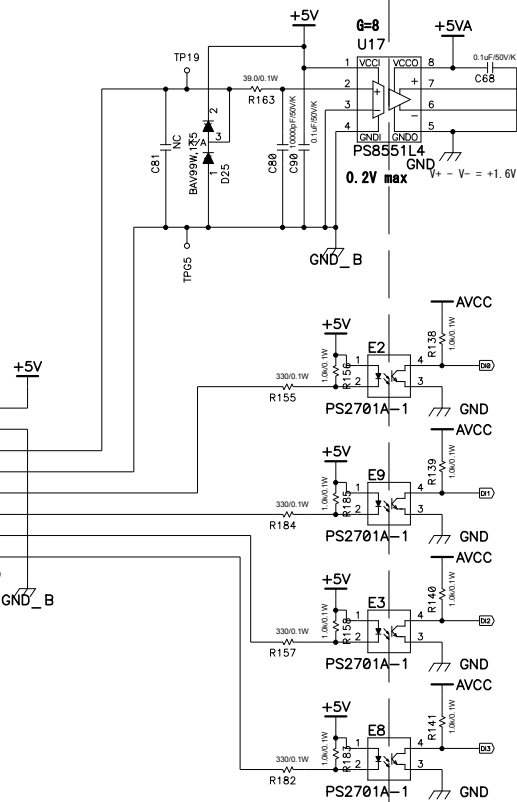
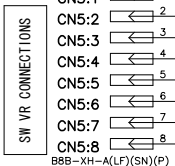
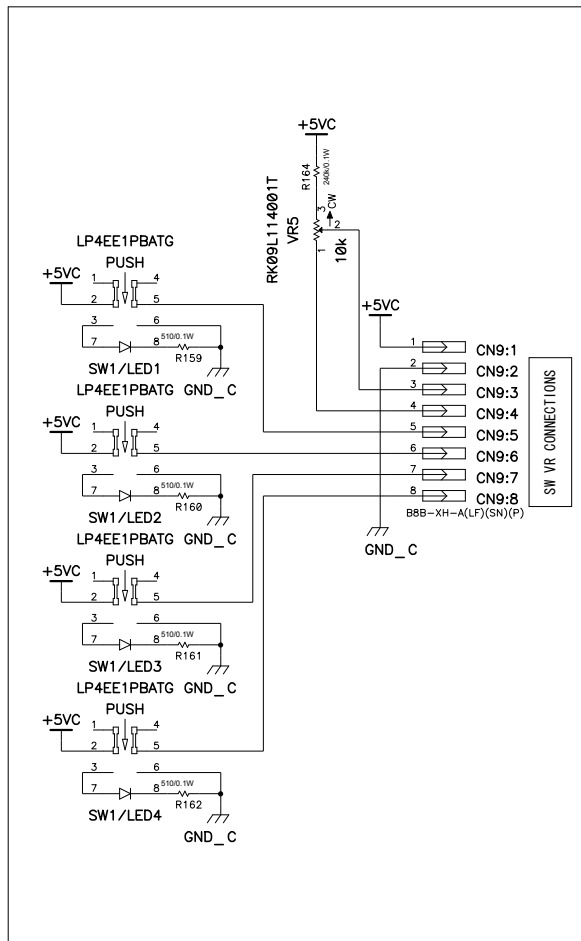


COMMON PAD  
 CMT-8121 1mH/20A (Triad Magnetics)  
 7448262510 1mH/25A (Würth Electronics Inc)  
 7448262013 1.3mH/20A (Würth Electronics Inc)

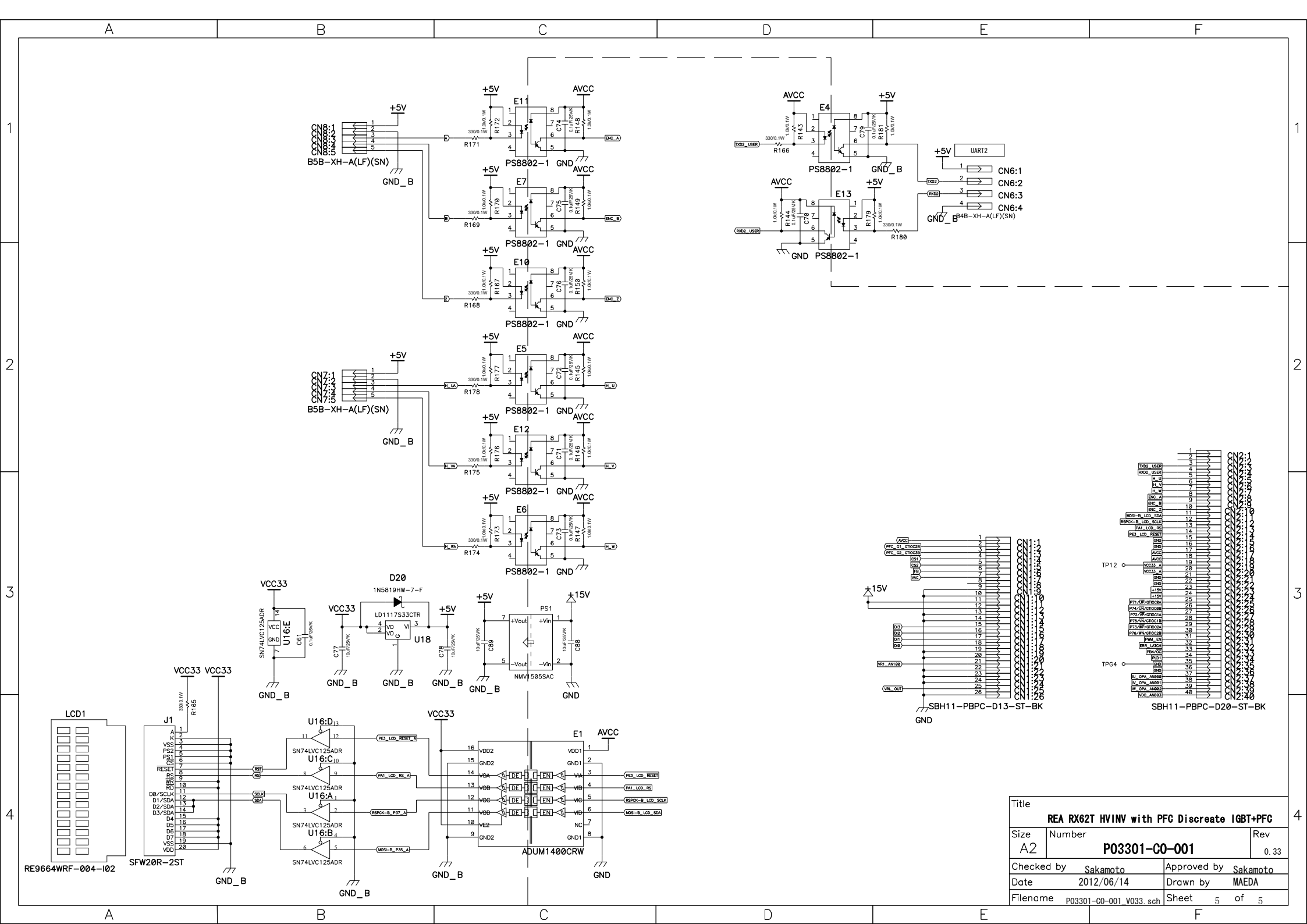
Title		
REA RX62T HV1NV with PFC Discreate IGBT+PFC		
Size	Number	Rev
A2	P03301-C0-001	0.33
Checked by	Sakamoto	Approved by Sakamoto
Date	2012/06/14	Drawn by MAEDA
Filename	P03301-C0-001_V033_sch	Sheet 2 of 5



Title			
REA RX62T HVINV with PFC Discrete IGBT-PFC			
Size	Number	Rev	
A2	P03301-C0-001	0.33	
Checked by	Sakamoto	Approved by	Sakamoto
Date	2012/06/14	Drawn by	MAEDA
Filename	P03301-C0-001_V033.sch	Sheet	3 of 5



Title		
REX RX62T HVINV with PFC Discreate IGBT+PFC		
Size	Number	Rev
A2	P03301-C0-001	0.33
Checked by	Sakamoto	Approved by Sakamoto
Date	2012/06/14	Drawn by MAEDA
Filename	P03301-C0-001_V033_sch	Sheet 4 of 5



Title		
REA RX62T HVINV with PFC Discrete IGBT+PFC		
Size	Number	Rev
A2	P03301-C0-001	0.33
Checked by	Sakamoto	Approved by Sakamoto
Date	2012/06/14	Drawn by MAEDA
Filename	P03301-C0-001_V033_sch	Sheet 5 of 5