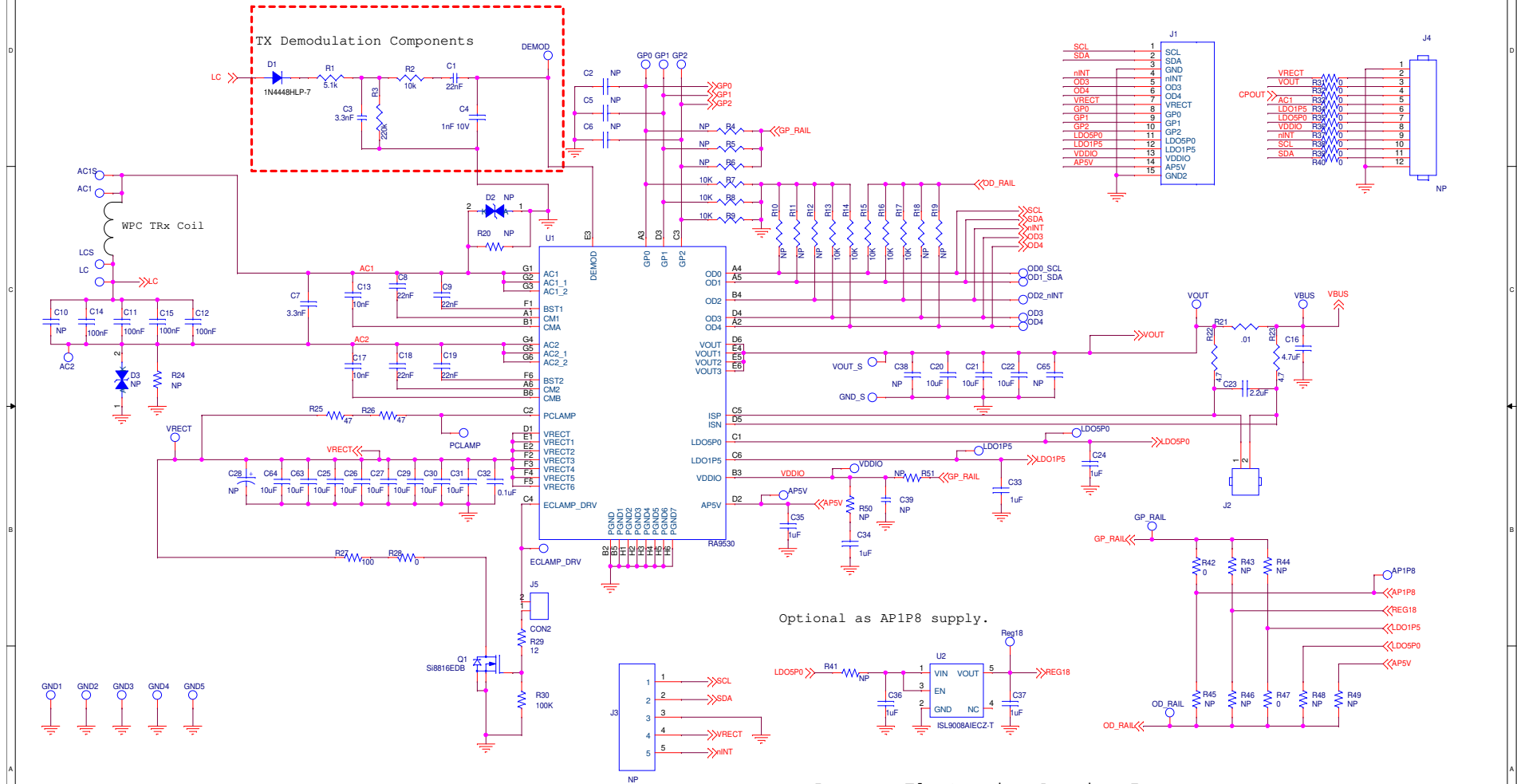


RA9530 CSP DEMO PCB V1.0

ADVANCED INFORMATION
SUBJECT TO CHANGE



Optional as AP1P8 supply.

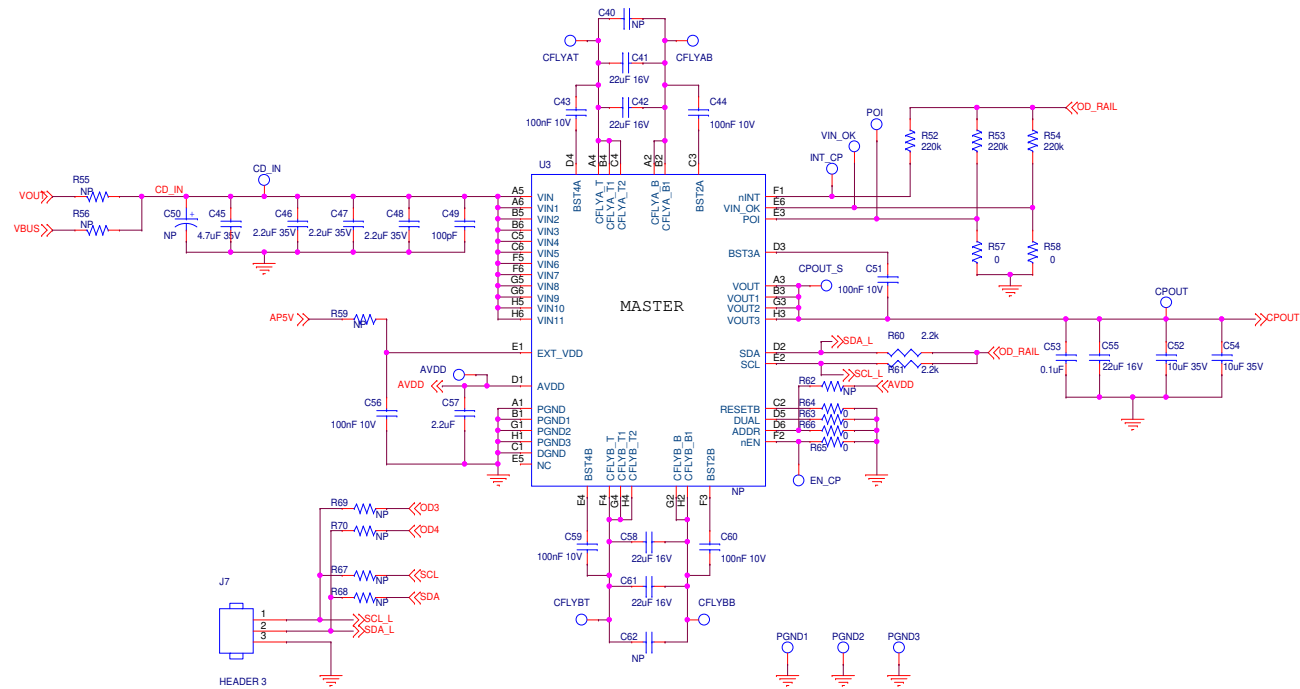
Renesas Electronics America Inc.

THIS DOCUMENT CONTAINS INFORMATION PROPRIETARY TO Renesas Electronics America Inc. USE OR DISCLOSURE WITHOUT THE WRITTEN PERMISSION OF AN OFFICER OF IDT IS EXPRESSLY FORBIDDEN

Title			RA9530 CSP DEMO PCB V1.0
Size	Document Number	Rev	
Custom	<Doc>	1.0	
Date:	Thursday, April 01, 2021	Sheet	1 of 1

RA9530 CSP EVK PCB V1.0

ADVANCED INFORMATION
SUBJECT TO CHANGE



Renesas Electronics America Inc.

THIS DOCUMENT CONTAINS INFORMATION PROPRIETARY
TO Renesas Electronics America Inc.
USE OR DISCLOSURE WITHOUT THE WRITTEN
PERMISSION OF AN OFFICER OF IDT IS
EXPRESSLY FORBIDDEN

Title		RA9530 CSP DEMO PCB V1.0
Size	Document Number	Rev
Custom	<Doc>	1.0
Date:	Wednesday, March 31, 2021	Sheet 1 of 1