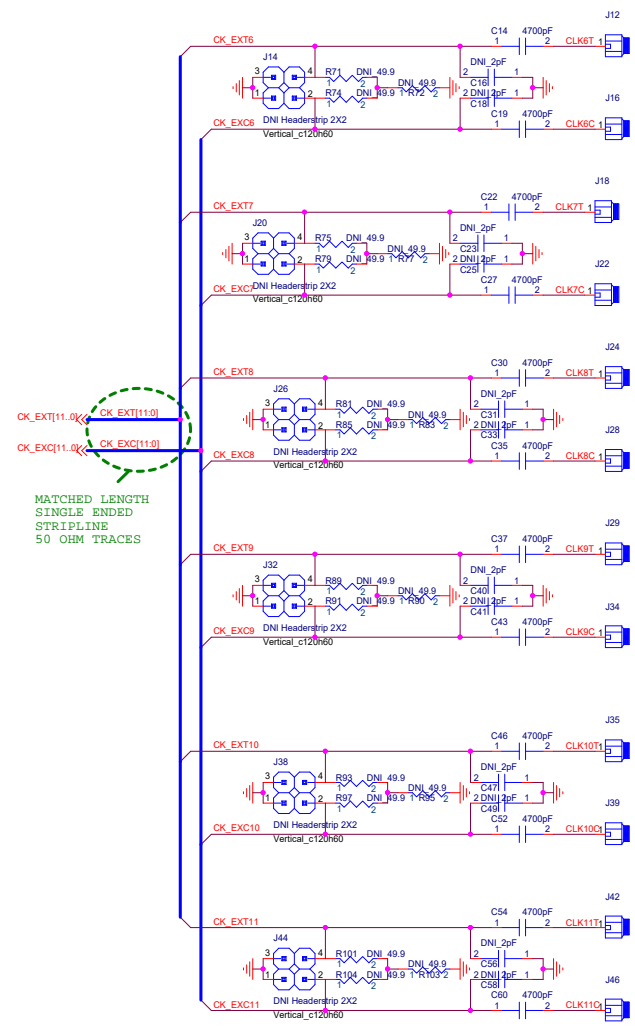
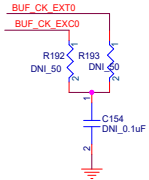
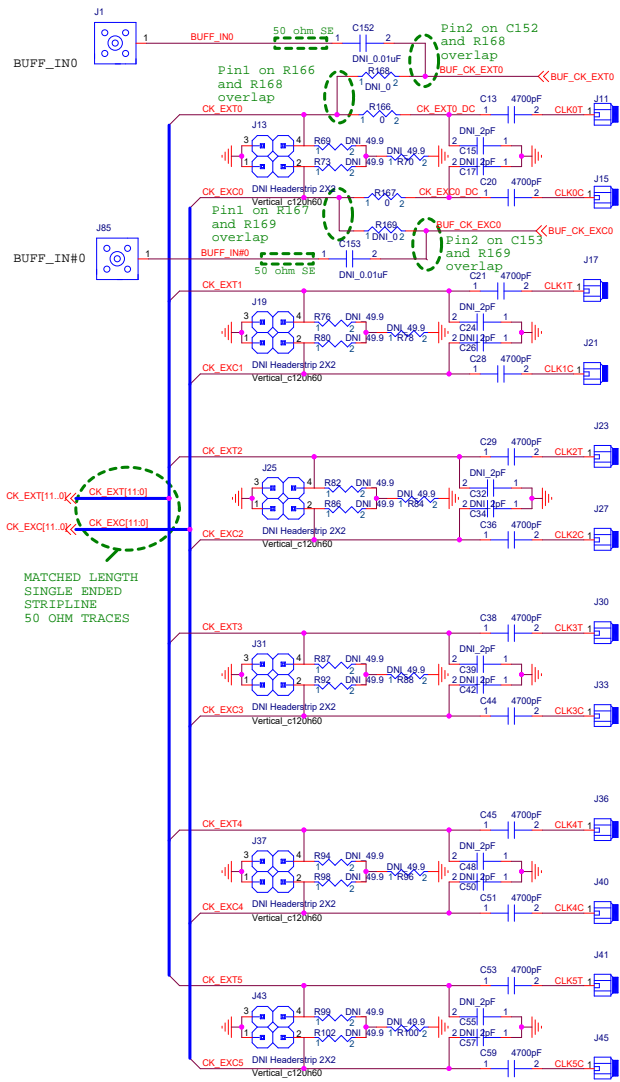


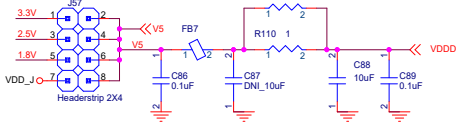
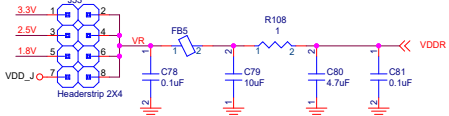
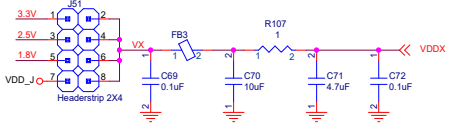
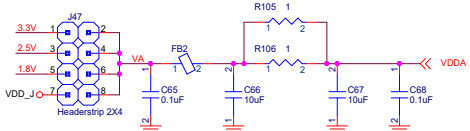
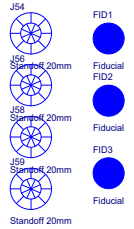
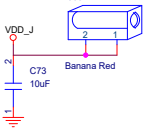
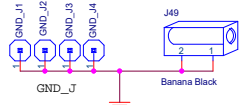
(OC) RC26008/RC26012 (SPI Mode) RC21008/RC21012 (Auto-Clock)

GPIO0 / SOD_ACTIVE# / SDIO (3-Wire) / INT_output
 GPIO1 / SPT_RST# / SEL#0 PIN / Fault_output
 GPIO2 / HRDRST# / SEL#1 PIN / OE function
 GPIO3 / RSTOUT# / OE function
 GPIO4 / RESET_IN# / OE function
 GPIO0 / SPT+ / 2nd Xtal
 GPIO1 / SPT- / 2nd Xtal
 GPIO2 (GPIO5) / OC_Active# / SEL1 function
 GPIO3 (GPIO6) / SOD_EN# / SEL0 function

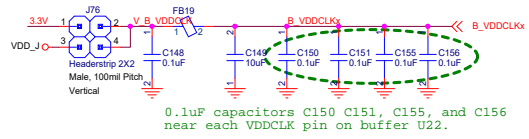
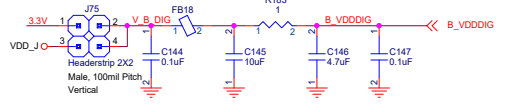
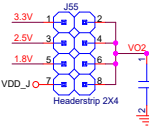
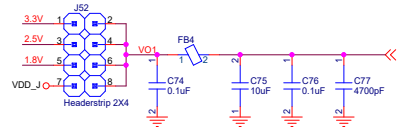
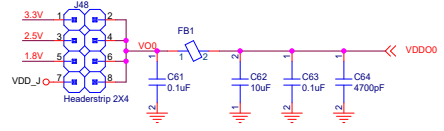
Title			VC7 + QBuffer Evaluation Board
Size			Document Number
C			VC7+QBuffer_EVB_REV-A
Date:	Friday, April 02, 2021	Sheet	1 of 5
Rev	A		



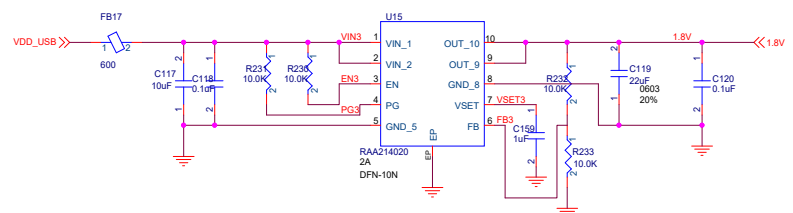
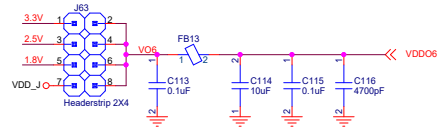
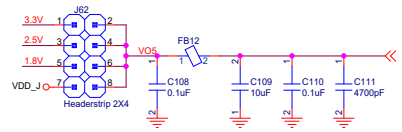
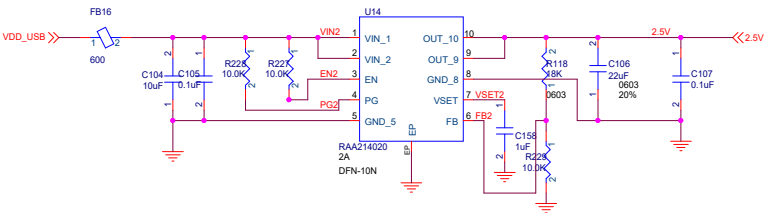
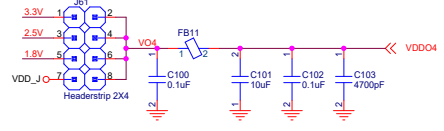
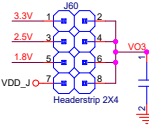
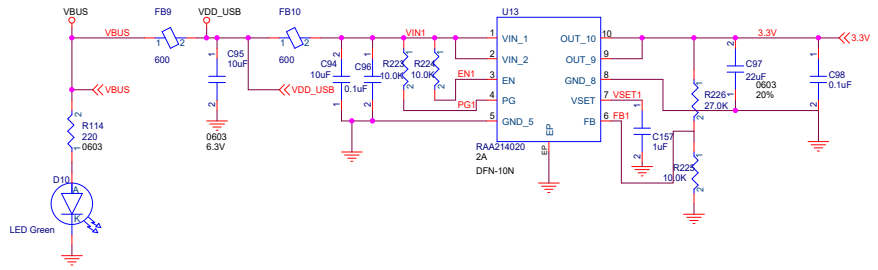
Title		
VC7 + QBuffer Evaluation Board		
Size	Document Number	Rev
C	VC7+QBuffer_EVB_REV-A	A
Date:	Friday, April 02, 2021	Sheet 2 of 5



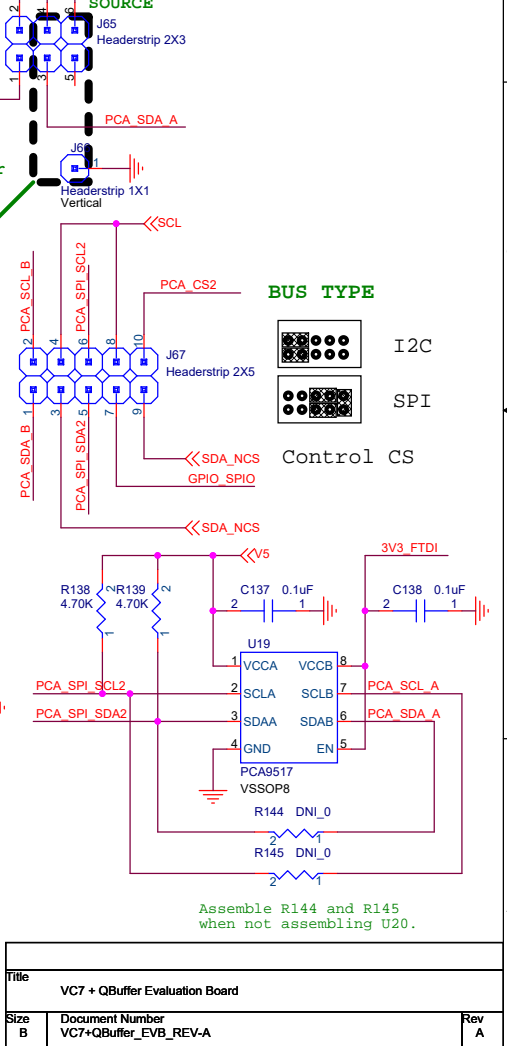
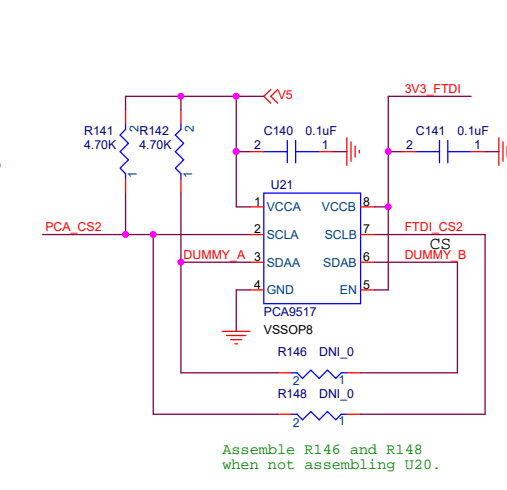
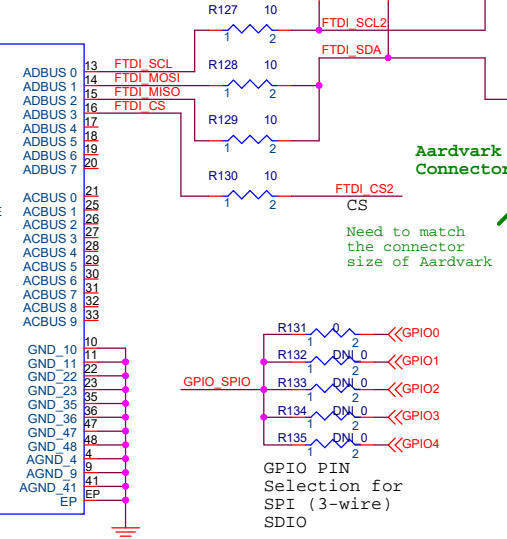
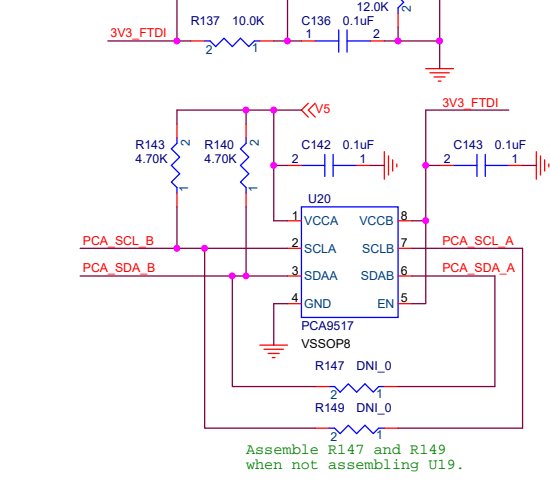
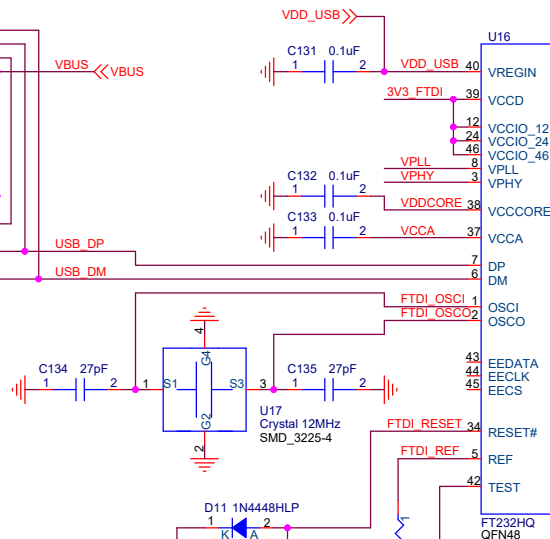
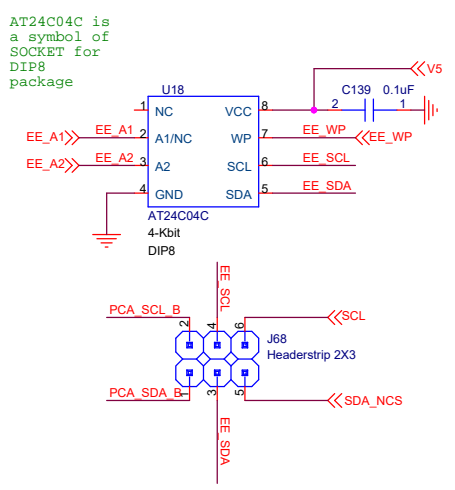
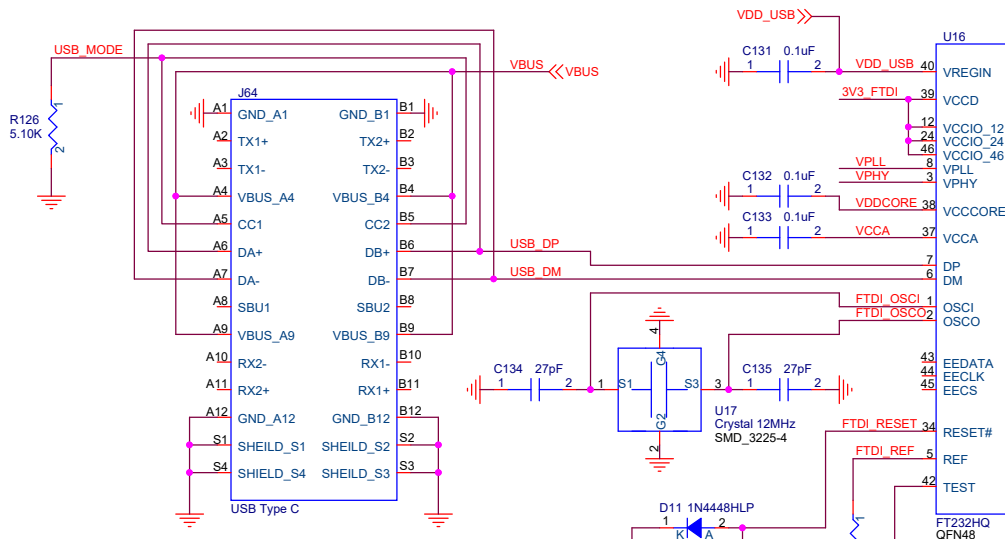
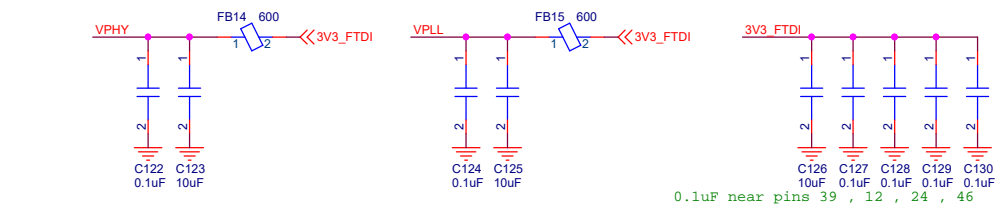
For OTP, Stuff on 3.3V / 2.5V only



0.1uF capacitors C150, C151, C155, and C156 near each VDDCLK pin on buffer U22.



Title			VC7 + QBuffer Evaluation Board
Size	Document Number	Rev A	
C	VC7+QBuffer_EVB_REV-A		
Date:	Friday, April 02, 2021	Sheet	3 of 5



FTDI Controls
I2C/SPI

Aardvark Connector
on pins 3, 4 and 6
for I2C control.

Need to match
the connector
size of Aardvark

GPIO PIN
Selection for
SPI (3-wire)
SDIO

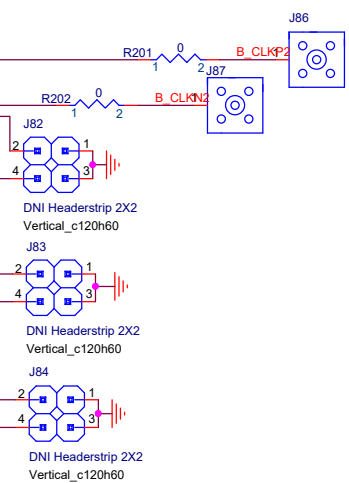
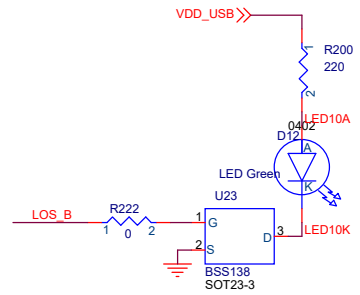
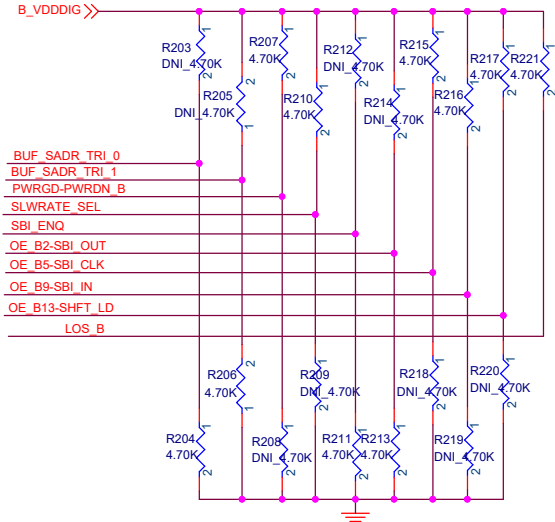
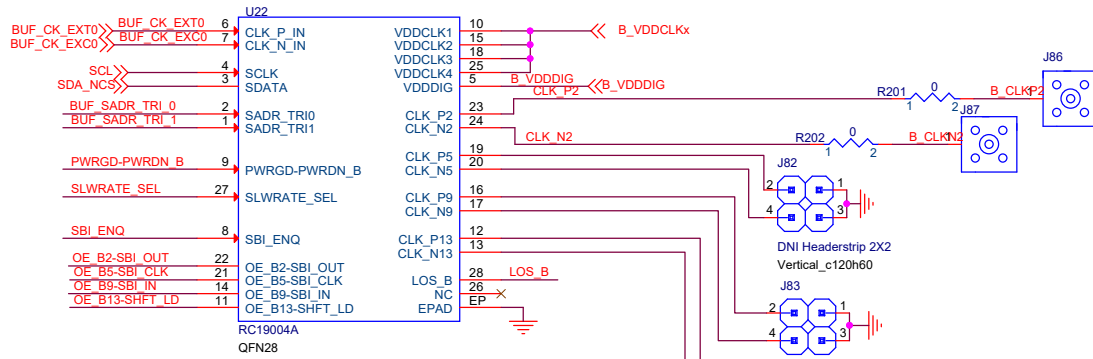
BUS TYPE
I2C
SPI
Control CS

Assemble R144 and R145
when not assembling U20.

Assemble R147 and R149
when not assembling U19.

Assemble R146 and R148
when not assembling U20.

Title		
VC7 + QBuffer Evaluation Board		
Size B	Document Number	Rev A
	VC7+QBuffer_EVB_REV-A	
Date:	Friday, April 02, 2021	Sheet 4 of 5



Title		
VC7 + QBuffer Evaluation Board		
Size	Document Number	Rev
B	VC7+QBuffer_EVB_REV-A	A
Date:	Friday, April 02, 2021	Sheet 5 of 5