

1

2

3

4

5

6

7

IDT Tsi340 Evaluation Board

SLOT1

SLOT2

SLOT3

SLOT4

J4

J3

J2

J1

PCI 32bit Universal
Finger Connector Page 3

TSI340
Page 2

PCI Connector Page 4

PCI Connector Page 5

PCI Connector Page 6

Right Angle PCI Connector Page 7I

TITLE :
TSI340 EVALUATION BOARD

SIZE C	DRAWING NUMBER : 60E3000_SC001	Version: Rev 0	DESIGNER :
------------------	-----------------------------------	-------------------	------------

LAST MODIFIED DATE : 3-20-2007 12:09	SHEET 1	OF 7
---	------------	---------

1

2

3

4

5

6

7

F

F

E

E

D

D

C

C

B

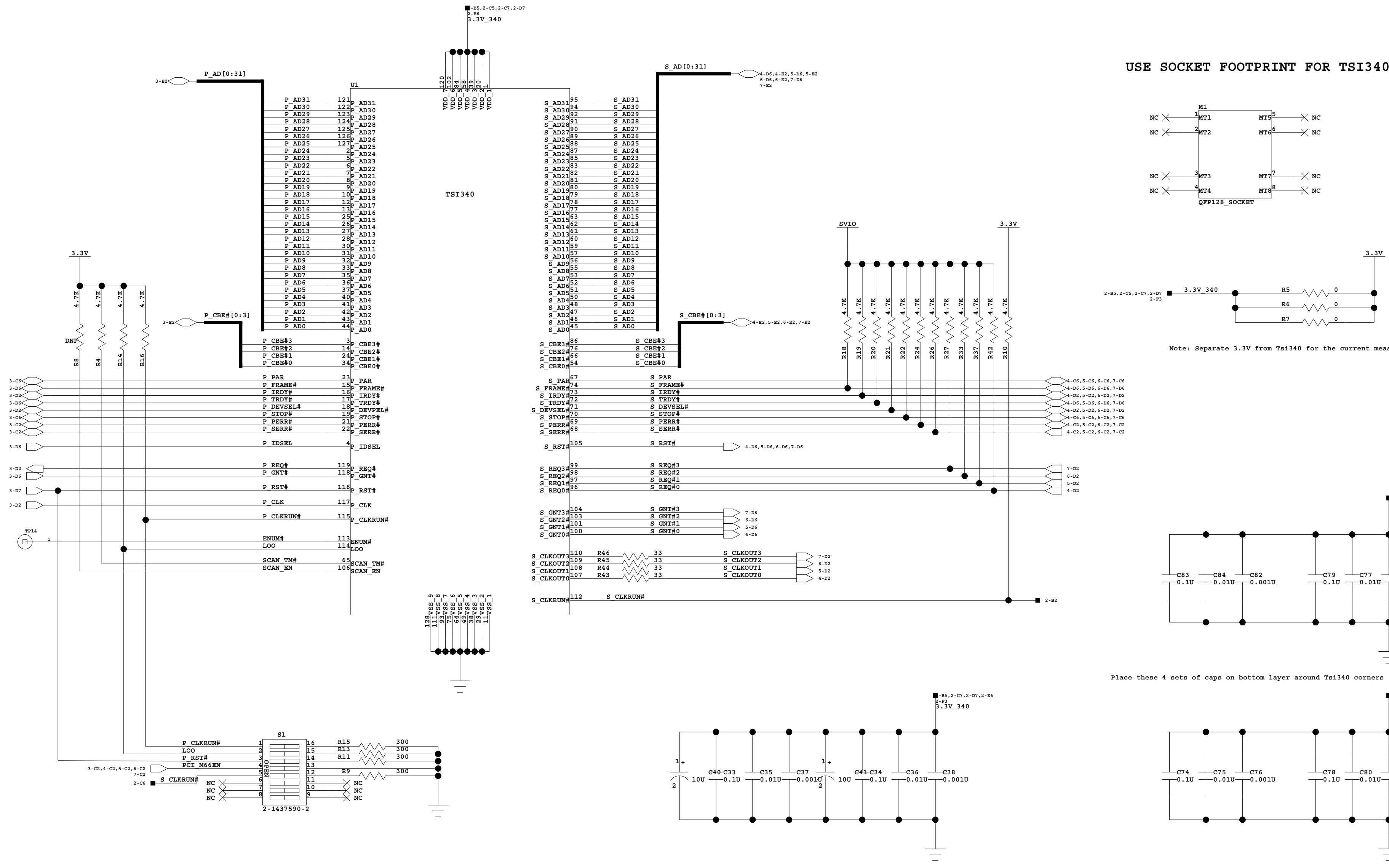
B

A

A

TSI340 PCI-to-PCI BRIDGE

USE SOCKET FOOTPRINT FOR TSI340



Note: Separate 3.3V from Tsi340 for the current measurement

Place these 4 sets of caps on bottom layer around Tsi340 corners

Place these 4 sets of caps on top layer around Tsi340 corners

S1 Switch Setting

BIT	Signal	ON	OFF	Default
1	P_CLKRUN#:	Pulled-Down	Test	ON
2	LOO:	Test	Pulled-Up	OFF
3	P_RST#:	Reset	Normal	OFF
4	PCI_M66EN:	33MHz	66MHz	OFF
5	S_CLKRUN#:	Pulled-Down	Test	ON

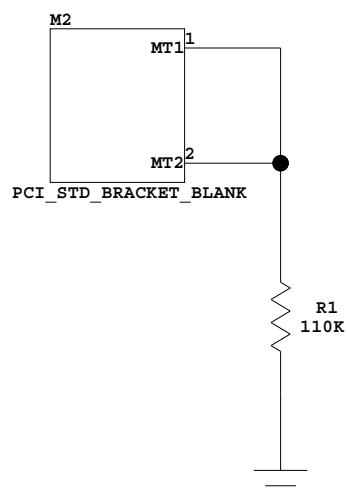
TITLE : **TSI340**

SIZE	DRAWING NUMBER :	Version:	DESIGNER :
C	60E3000_SC001		

LAST MODIFIED DATE : 4-27-2007_12:41

SHEET 2 OF 7

**PCI 32bit Universal Finger Edge Connector
To Tsi340's primary interface**



Connect this ground directly on finger conn GND pin

P_AD[0:31]

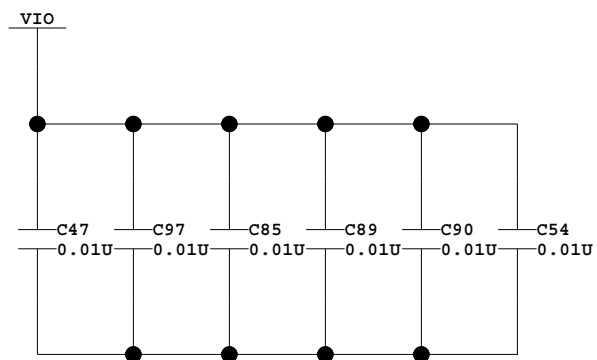
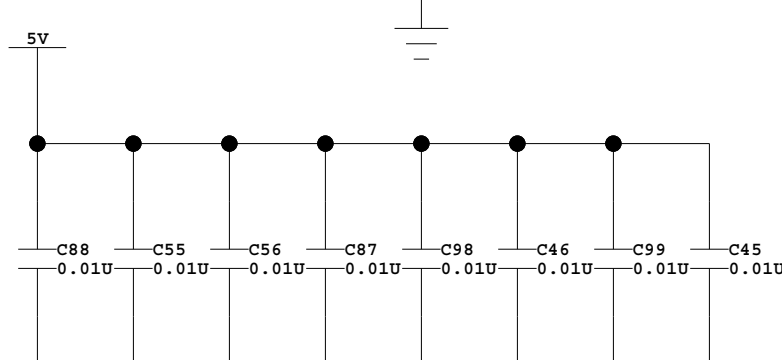
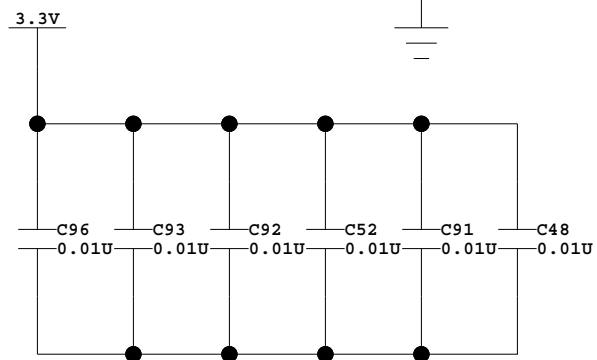
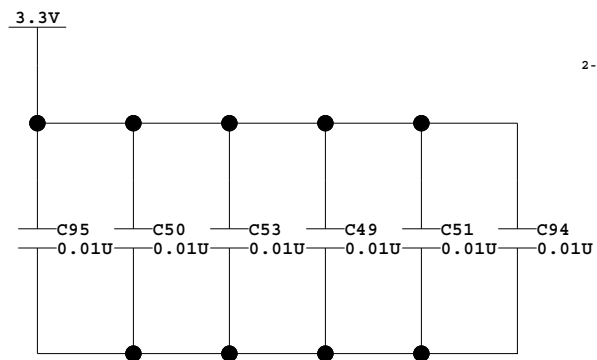
Note: Primary side VIO is not connected on this board

P_CBE#[0:3]

PCI INTB#
PCI INTD#

Note: PRSNT#[1:2]=01 indicates 25W

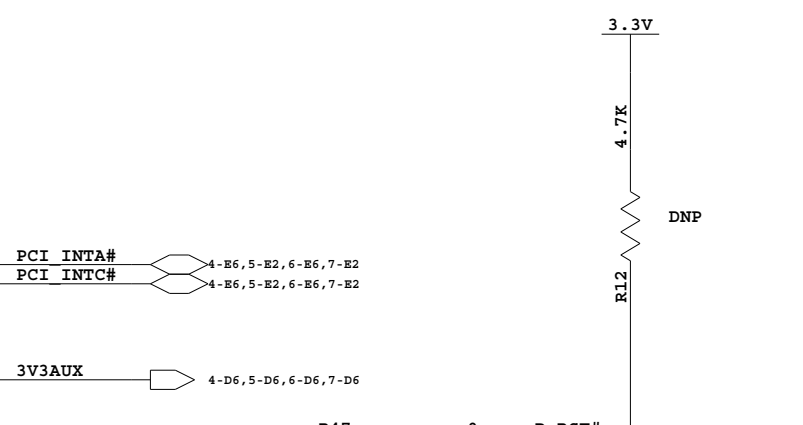
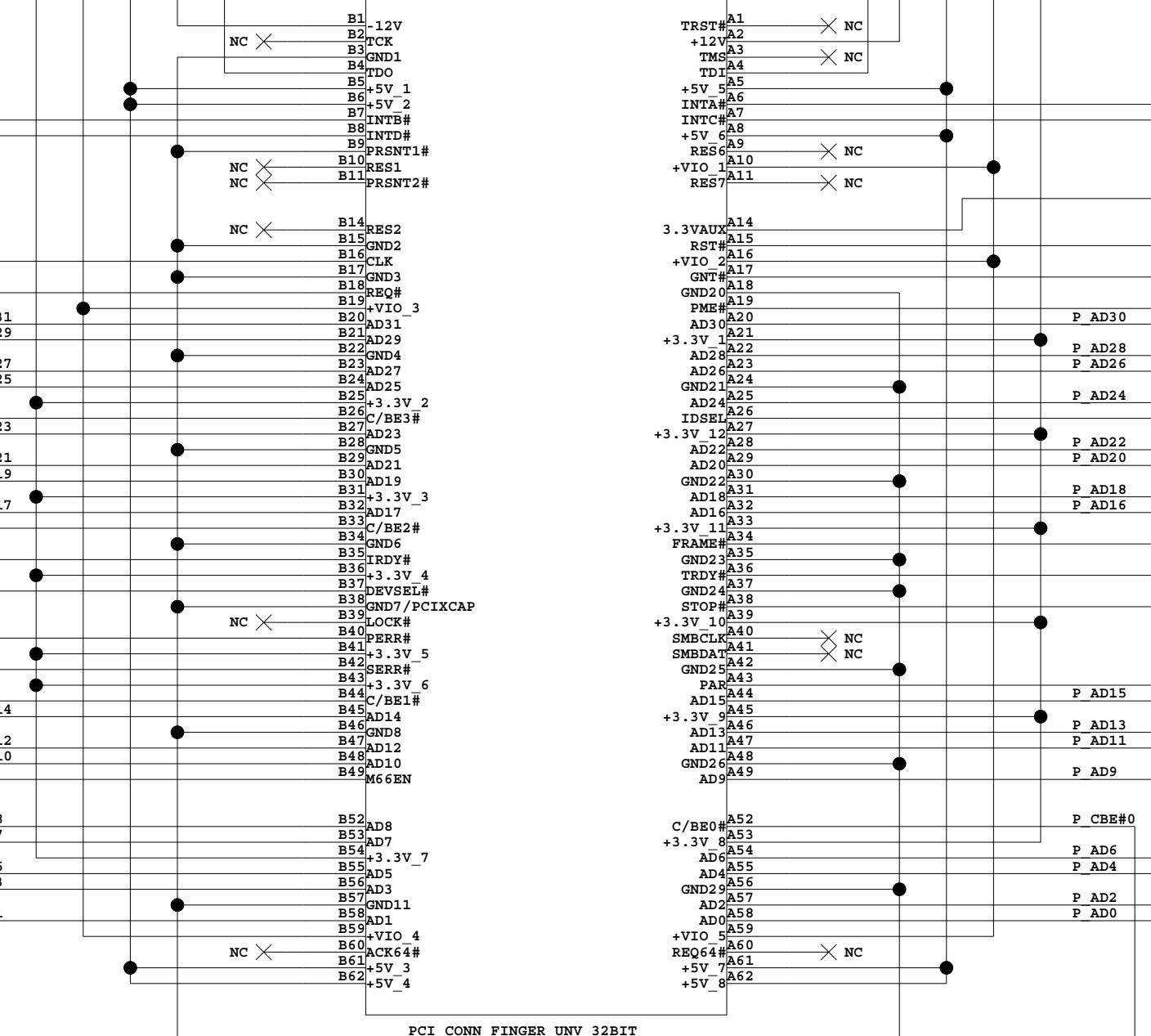
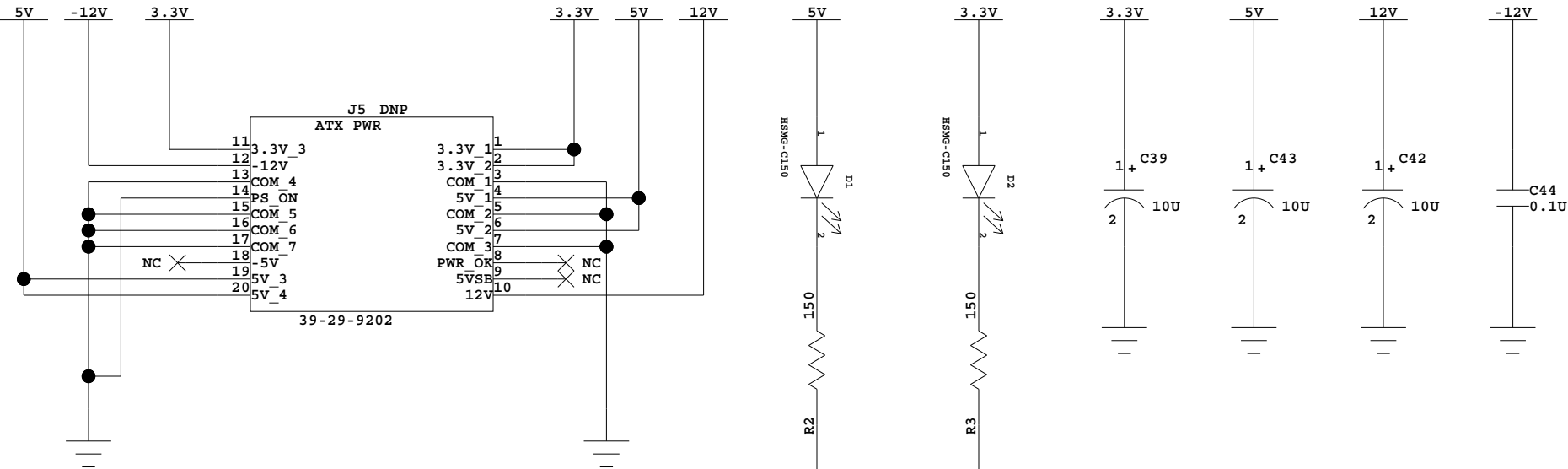
P_CLK
P_REQ#



PCI M66EN

C86
0.01U

5V -12V 3.3V



3V3AUX
P_RST#

P_GNT#
PCI PME#

P_IDSEL

P_FRAME#
P_TRDY#
P_STOP#

P_PAR

P_CBE#0

P_CBE#0

P_CBE#0

P_CBE#0

P_CBE#0

P_CBE#0

P_CBE#0

P_CBE#0

P_CBE#0

P_CBE#0

P_CBE#0

P_CBE#0

P_CBE#0

P_CBE#0

P_CBE#0

P_CBE#0

P_CBE#0

P_CBE#0

P_CBE#0

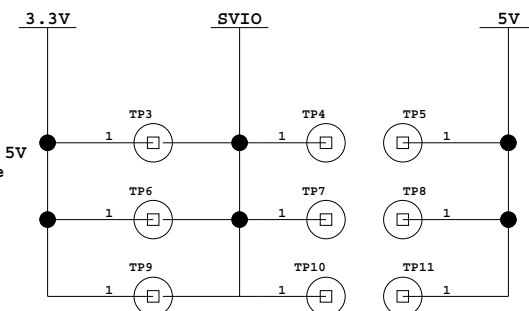
P_CBE#0

P_CBE#0

P_CBE#0

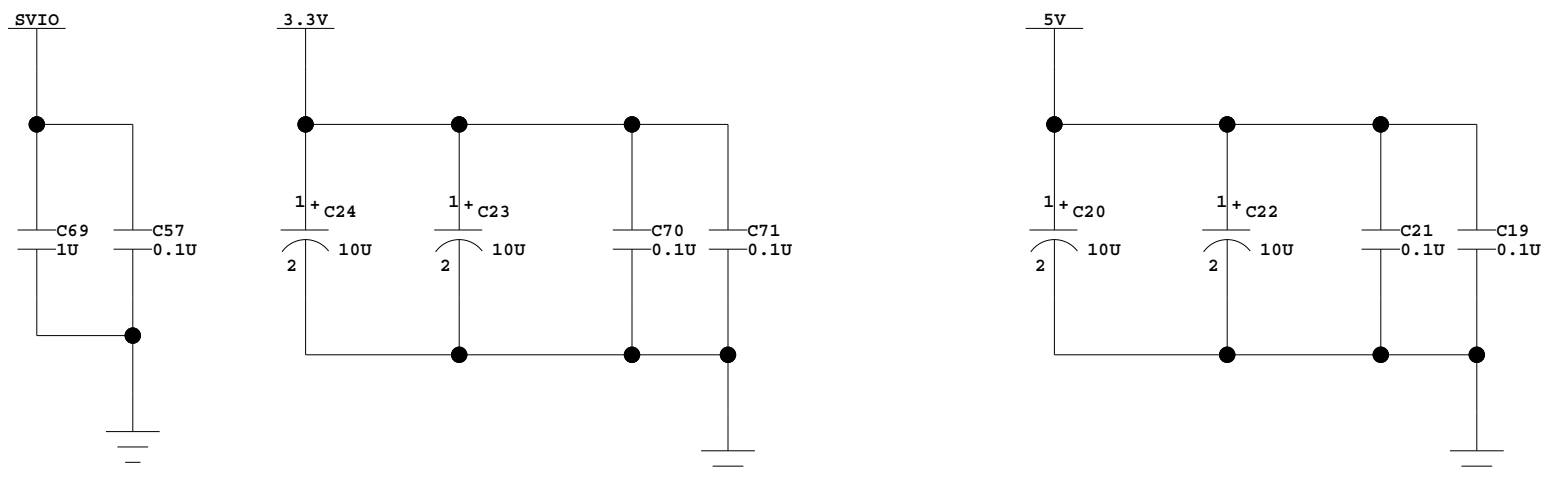
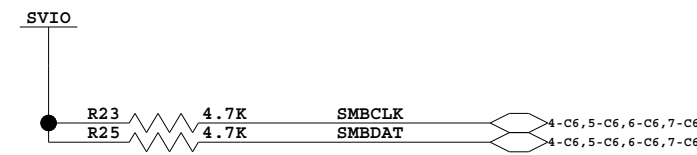
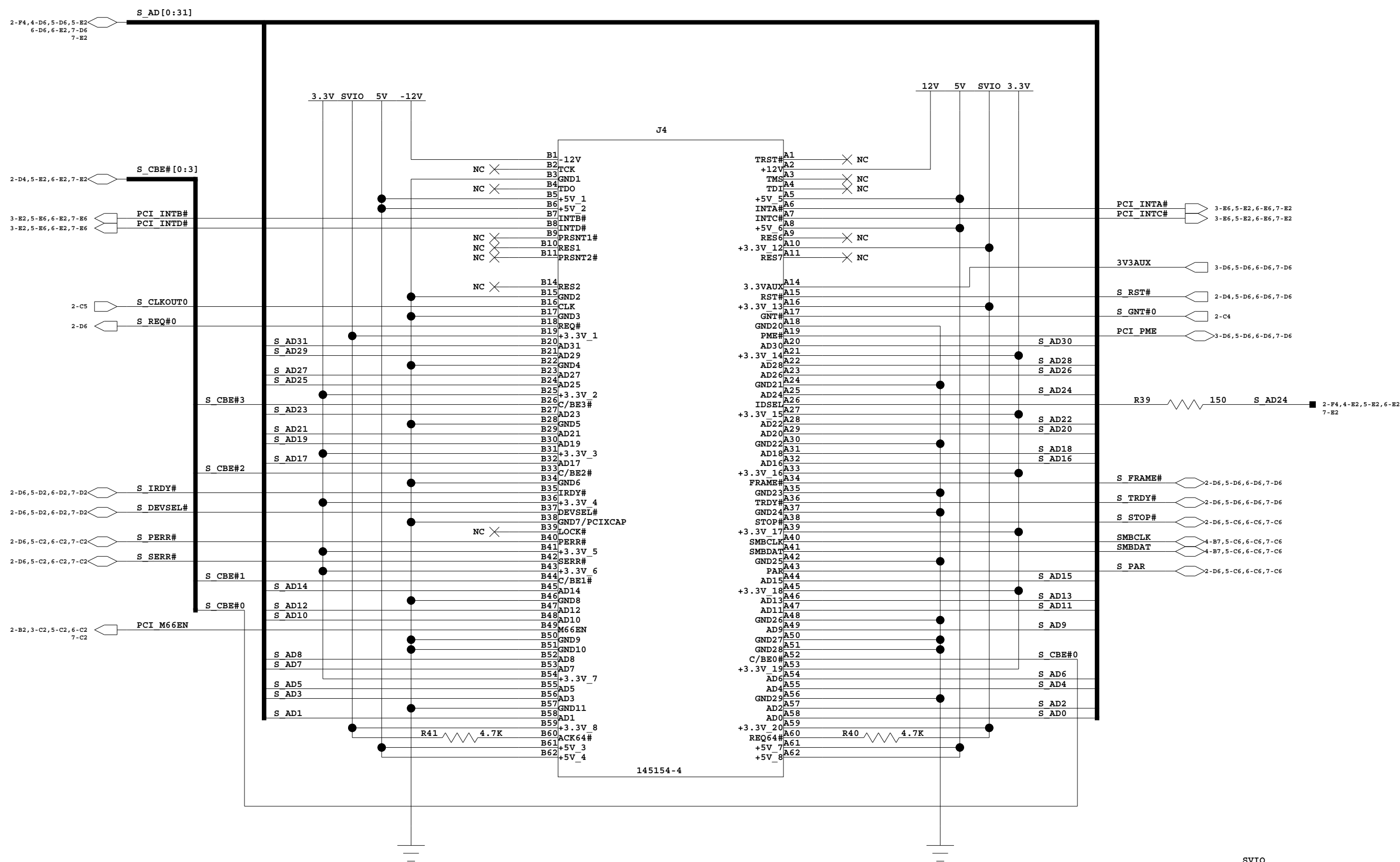
P_CBE#0

On the PCB, 3.3V and SVIO tracks must be cut and the 5V test point are wired to the SVIO test points.



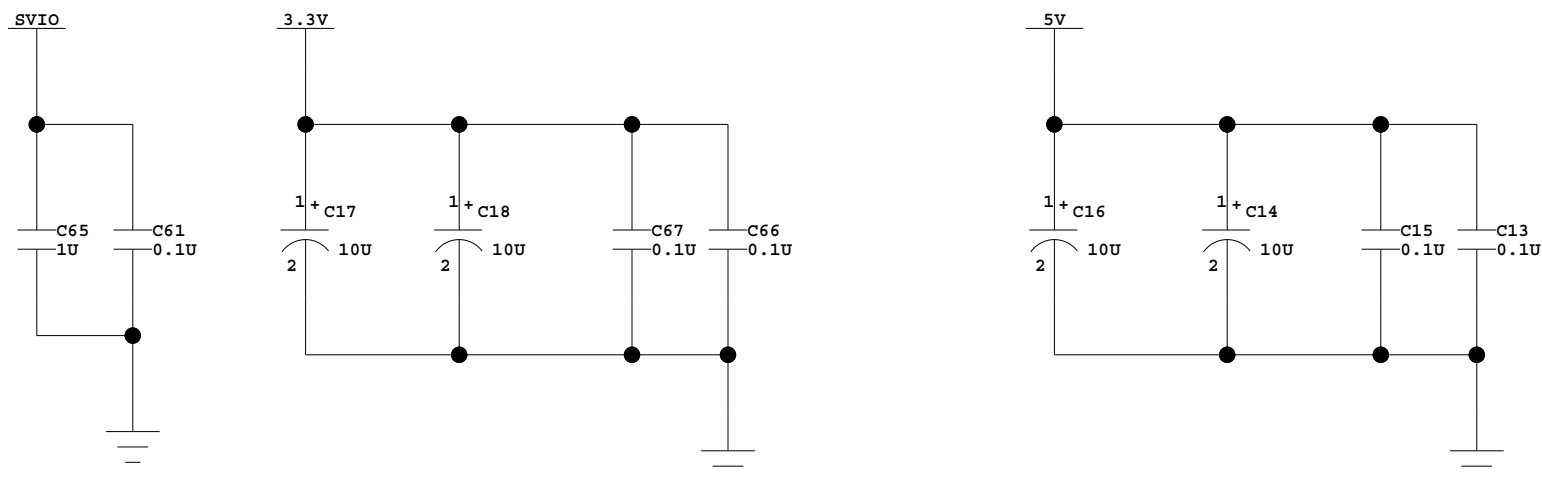
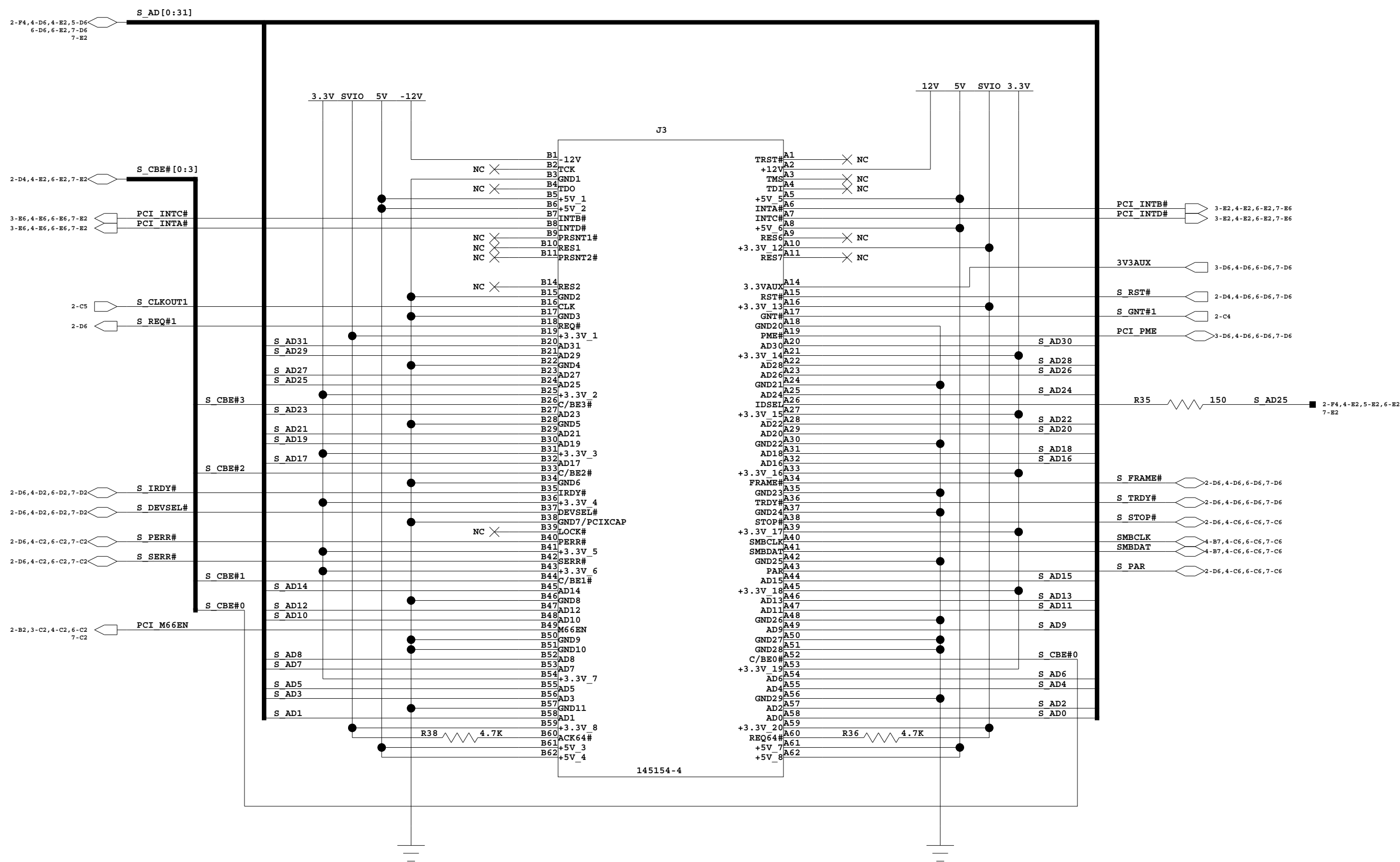
TITLE : PCI 32BIT UNIVERSAL FINGER EDGE CONNECTOR			
SIZE C	DRAWING NUMBER : 60E3000_SC001	Version:	DESIGNER :
LAST MODIFIED DATE : 4-27-2007_12:41		SHEET 3 OF 7	

PCI 3.3V 32Bits Slot 1 Thru-hole Connector



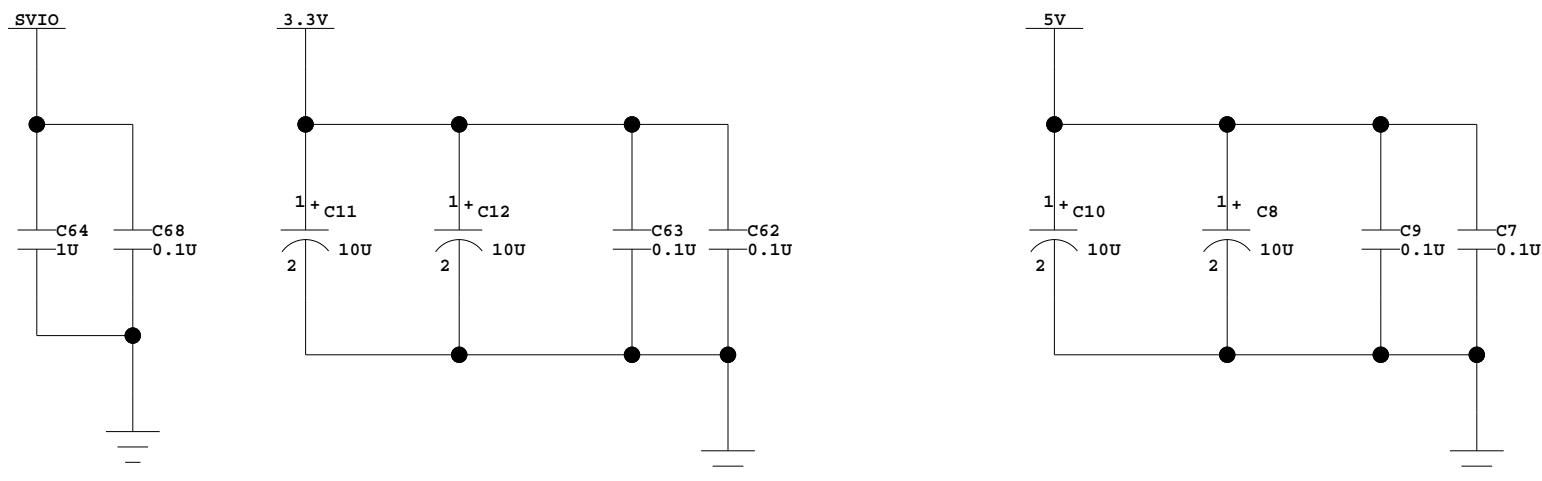
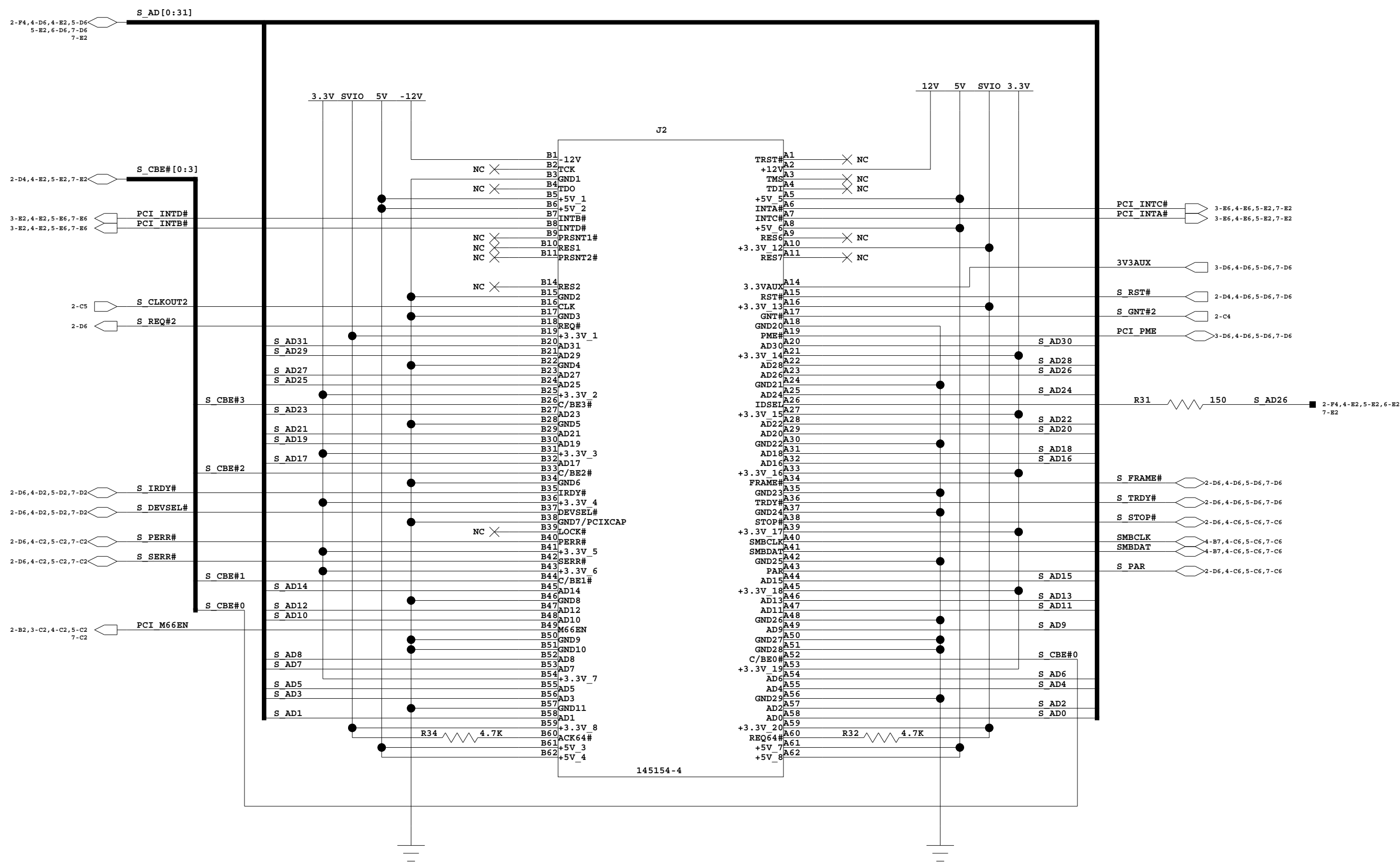
TITLE : PCI 3.3V 32BITS SLOT 1 THRU-HOLE CONNECTOR			
SIZE C	DRAWING NUMBER : 60E3000_SC001	Version:	DESIGNER :
LAST MODIFIED DATE : 4-27-2007_12:41		SHEET 4 OF 7	

PCI 3.3V 32Bits slot 2 Thru-hole connector



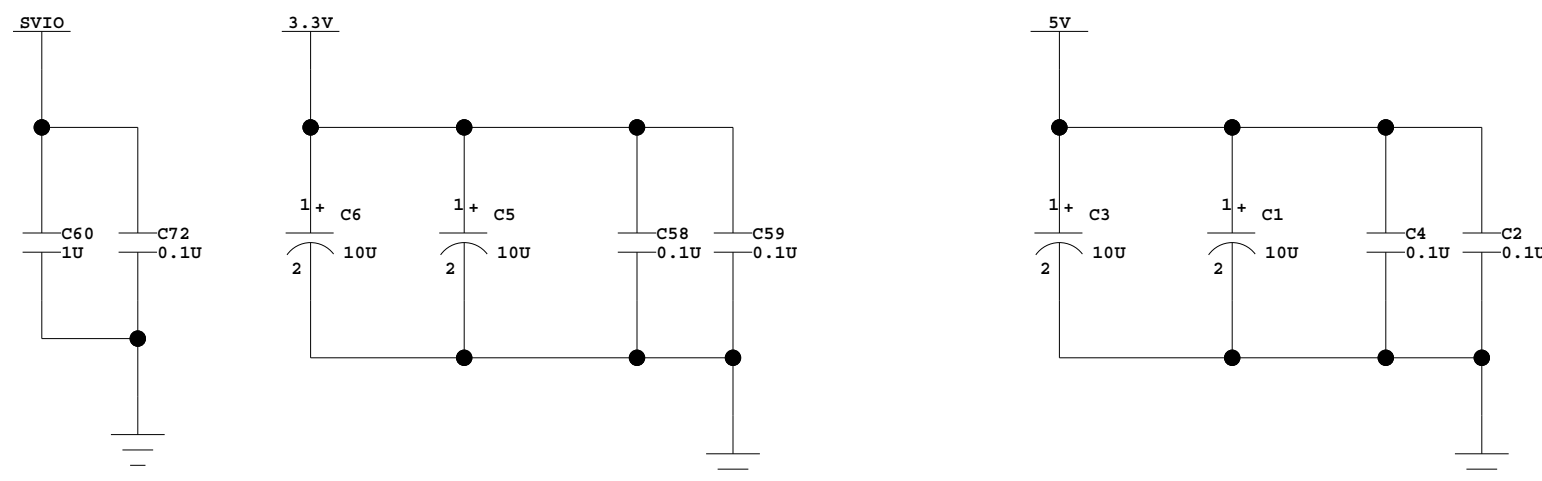
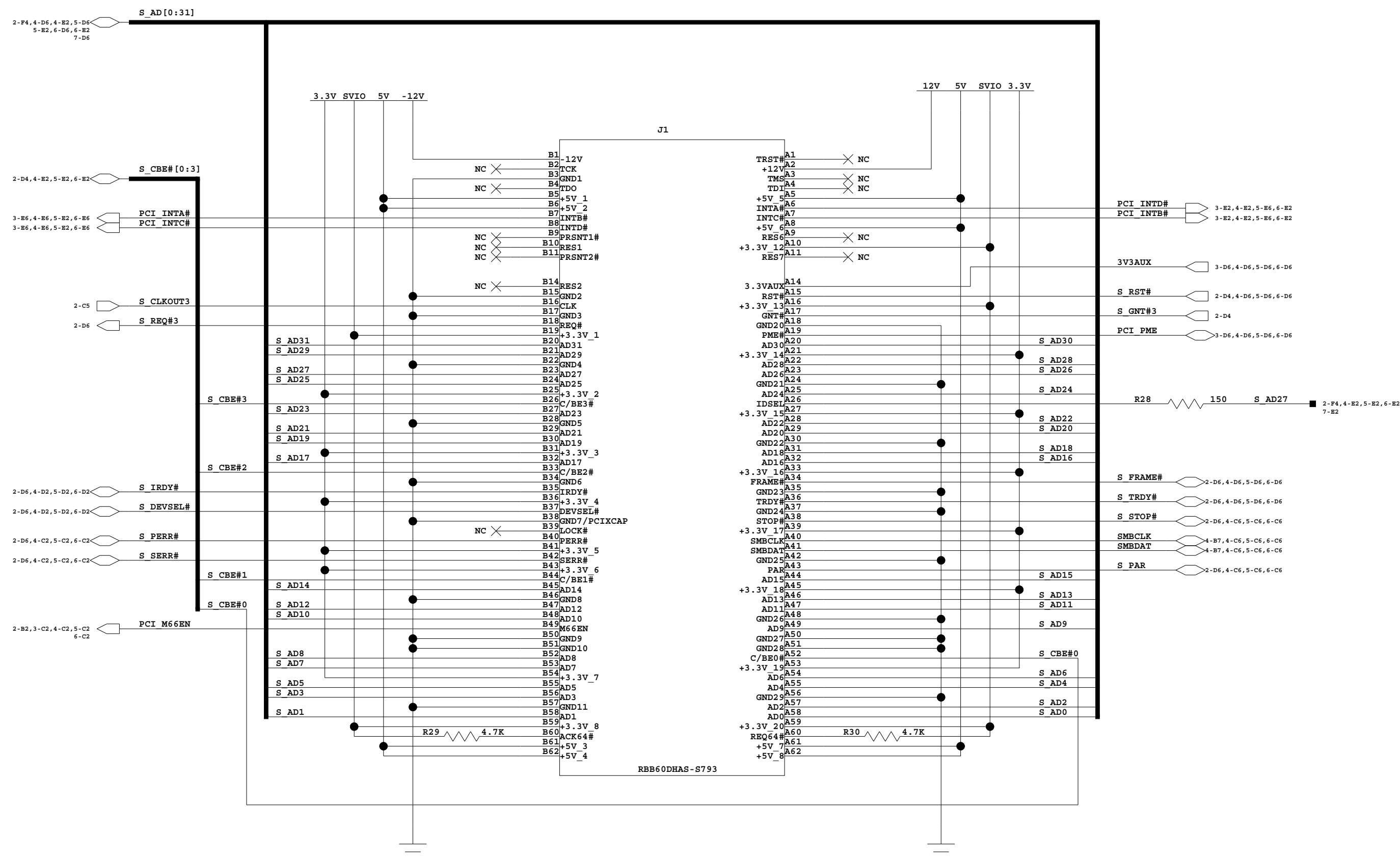
TITLE :			
PCI 3.3V 32BITS SLOT 2 THRU-HOLE CONNECTOR			
SIZE	DRAWING NUMBER :	Version:	DESIGNER :
C	60E3000_SC001		
LAST MODIFIED DATE :			SHEET
4-27-2007_12:41			5 OF 7

PCI 3.3V 32Bits slot 3 Thru-hole connector



TITLE :			
PCI 3.3V 32BITS SLOT 3 THRU-HOLE CONNECTOR			
SIZE	DRAWING NUMBER :	Version:	DESIGNER :
C	60E3000_SC001		
LAST MODIFIED DATE :		SHEET	
4-27-2007_12:41		6 OF 7	

PCI 3.3V 32Bit slot 4 right angle edge connector



TITLE : PCI 3.3V 32BITS SLOT 4 RIGHT ANGLE CONNECTOR			
SIZE C	DRAWING NUMBER : 60E3000_SC001	Version:	DESIGNER :
LAST MODIFIED DATE : 4-27-2007_12:41		SHEET 7 OF 7	