

Description

The HXR8201 Trans-impedance Limiting Amplifier array is a member of IDT’s family of Optical Receiver Transmitter Array (ORTA) products targeted at the short-reach fiber optic links market. Together with a discrete pin detector array, high-capacity and high-availability optical links can be designed for Datacom and enterprise applications. This product is ideal for 25G fan-out module applications.

The 3.3V SiGe device integrates the trans-impedance pre-amplifier, the limiting post-amplifier, and a versatile CML output stage for a single, differential electrical channel.

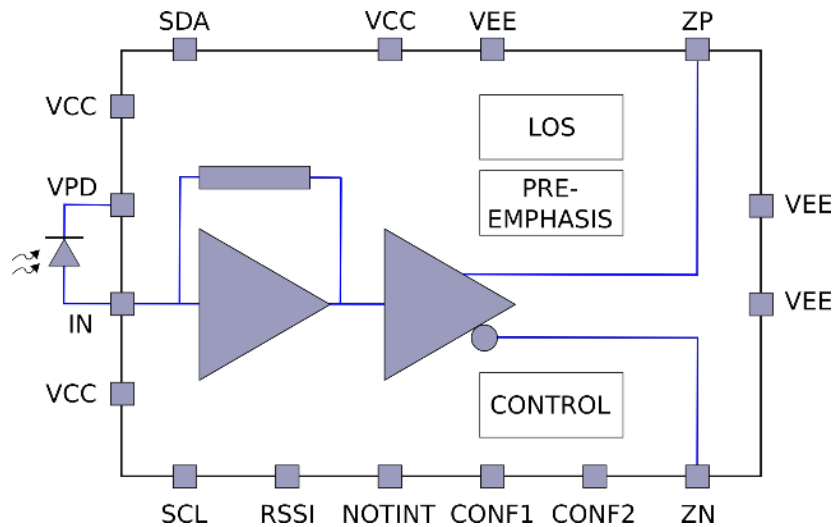
Features

- 60µApp receiver sensitivity for 10⁻¹² BER at 28Gbps
- Better than 2.4mApp overload
- 128mW per channel power consumption
- Adjustable output swing size, pre-emphasis, and signal detect threshold
- Independent, scalable RSSI output
- Optimized for isolated and common cathode photo-detector arrays from multiple vendors
- I²C compatible serial interface
- Suitable for TO can applications
- SFP28+ MSA compatible

Typical Applications

- 28G Ethernet SR Fan-out modules
- 32G Fibre Channel modules
- InfiniBand EDR 25G Transceivers / AOC
- Proprietary multi-channel optical modules

Block Diagram



IMPORTANT NOTICE AND DISCLAIMER

RENESAS ELECTRONICS CORPORATION AND ITS SUBSIDIARIES (“RENESAS”) PROVIDES TECHNICAL SPECIFICATIONS AND RELIABILITY DATA (INCLUDING DATASHEETS), DESIGN RESOURCES (INCLUDING REFERENCE DESIGNS), APPLICATION OR OTHER DESIGN ADVICE, WEB TOOLS, SAFETY INFORMATION, AND OTHER RESOURCES “AS IS” AND WITH ALL FAULTS, AND DISCLAIMS ALL WARRANTIES, EXPRESS OR IMPLIED, INCLUDING, WITHOUT LIMITATION, ANY IMPLIED WARRANTIES OF MERCHANTABILITY, FITNESS FOR A PARTICULAR PURPOSE, OR NON-INFRINGEMENT OF THIRD-PARTY INTELLECTUAL PROPERTY RIGHTS.

These resources are intended for developers who are designing with Renesas products. You are solely responsible for (1) selecting the appropriate products for your application, (2) designing, validating, and testing your application, and (3) ensuring your application meets applicable standards, and any other safety, security, or other requirements. These resources are subject to change without notice. Renesas grants you permission to use these resources only to develop an application that uses Renesas products. Other reproduction or use of these resources is strictly prohibited. No license is granted to any other Renesas intellectual property or to any third-party intellectual property. Renesas disclaims responsibility for, and you will fully indemnify Renesas and its representatives against, any claims, damages, costs, losses, or liabilities arising from your use of these resources. Renesas' products are provided only subject to Renesas' Terms and Conditions of Sale or other applicable terms agreed to in writing. No use of any Renesas resources expands or otherwise alters any applicable warranties or warranty disclaimers for these products.

(Disclaimer Rev.1.01 Jan 2024)

Corporate Headquarters

TOYOSU FORESIA, 3-2-24 Toyosu,
Koto-ku, Tokyo 135-0061, Japan
www.renesas.com

Trademarks

Renesas and the Renesas logo are trademarks of Renesas Electronics Corporation. All trademarks and registered trademarks are the property of their respective owners.

Contact Information

For further information on a product, technology, the most up-to-date version of a document, or your nearest sales office, please visit www.renesas.com/contact-us/.