

RG8G72475

32Gbaud Quad-Channel Limiting Driver

RG8G72475 is a 32Gbaud low power quad-channel limiting driver amplifier that is designed for 100Gbps DP-QPSK coherent pluggable module applications.

The RG8G72475 contains integrated quad lanes of driver with SPI circuitry for DC controls on a single die. Each channel of driver has 100Ω differential AC-coupled input and 100Ω differential interface with an open-collector type of output stage. The driver is designed with industrial temperature definition and provides the limiting output voltage of 2.7Vppd, which is suitable for driving InP and Silicon Photonics based modulators.

The RG8G72475 is delivered as die formed with solder bumps for the flip-chip assembly.

Features

- > 24GHz bandwidth for covering 33Gbaud limiting mode operation
- 0.8W (max.) power consumption for 2.7Vppd typical output swing
- AC-coupled 100Ω differential input
- Open-collector configuration output stage that can drive DC-coupled 100Ω differential impedance
- Digital control and Analog monitoring
- Temperature sensor and peak detector
- 1.8V logic SPI digital interface integration
- Covering industrial temperature operation
- Die with solder bumps for flip-chip assembly

Applications

- 100Gbps DP-QPSK coherent pluggable module applications

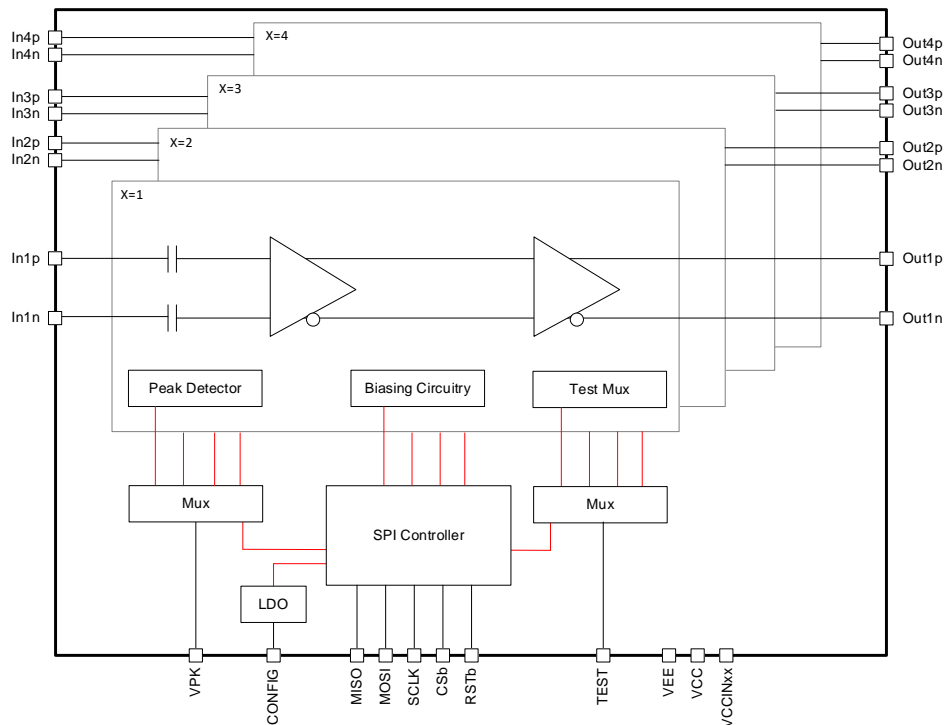


Figure 1. Block Diagram

Ordering Information

Part Number	Package Description	Temperature Range
RG8G72475BGGWT	Die, 1.503 × 2.555 × 0.375 mm	-40°C to +105°C

## IMPORTANT NOTICE AND DISCLAIMER

RENESAS ELECTRONICS CORPORATION AND ITS SUBSIDIARIES (“RENESAS”) PROVIDES TECHNICAL SPECIFICATIONS AND RELIABILITY DATA (INCLUDING DATASHEETS), DESIGN RESOURCES (INCLUDING REFERENCE DESIGNS), APPLICATION OR OTHER DESIGN ADVICE, WEB TOOLS, SAFETY INFORMATION, AND OTHER RESOURCES “AS IS” AND WITH ALL FAULTS, AND DISCLAIMS ALL WARRANTIES, EXPRESS OR IMPLIED, INCLUDING, WITHOUT LIMITATION, ANY IMPLIED WARRANTIES OF MERCHANTABILITY, FITNESS FOR A PARTICULAR PURPOSE, OR NON-INFRINGEMENT OF THIRD PARTY INTELLECTUAL PROPERTY RIGHTS.

These resources are intended for developers skilled in the art designing with Renesas products. You are solely responsible for (1) selecting the appropriate products for your application, (2) designing, validating, and testing your application, and (3) ensuring your application meets applicable standards, and any other safety, security, or other requirements. These resources are subject to change without notice. Renesas grants you permission to use these resources only for development of an application that uses Renesas products. Other reproduction or use of these resources is strictly prohibited. No license is granted to any other Renesas intellectual property or to any third party intellectual property. Renesas disclaims responsibility for, and you will fully indemnify Renesas and its representatives against, any claims, damages, costs, losses, or liabilities arising out of your use of these resources. Renesas' products are provided only subject to Renesas' Terms and Conditions of Sale or other applicable terms agreed to in writing. No use of any Renesas resources expands or otherwise alters any applicable warranties or warranty disclaimers for these products.

(Disclaimer Rev.1.0 Mar 2020)

### Corporate Headquarters

TOYOSU FORESIA, 3-2-24 Toyosu,  
Koto-ku, Tokyo 135-0061, Japan  
[www.renesas.com](http://www.renesas.com)

### Contact Information

For further information on a product, technology, the most up-to-date version of a document, or your nearest sales office, please visit:  
[www.renesas.com/contact/](http://www.renesas.com/contact/)

### Trademarks

Renesas and the Renesas logo are trademarks of Renesas Electronics Corporation. All trademarks and registered trademarks are the property of their respective owners.