

Application Note

How to Test and Control GreenPAK using a Website

AN-CM-224

Abstract

This project shows how a [GreenPAK™](#) design can be tested, debugged, and controlled using a website. GreenPAK ICs come with a register control feature. In this way, GreenPAK registers can be controlled on-the-fly.

This Application Note comes complete with design files which can be found in the References section.

How to Test and Control GreenPAK using a Website

Contents

Abstract	1
Contents	2
Figures	2
Tables	3
1 Terms and Definitions	4
2 References	4
3 Introduction	5
4 Server Side	5
4.1 Hosting a Website and Routing Incoming Request	5
4.2 Checking Destination I2C Address	6
4.3 Writing to the GreenPAK Registers	8
4.4 Reading from GreenPAK Registers	9
5 How to use the website	11
5.1 Inputs.....	13
5.2 Outputs.....	14
5.3 Chart.....	15
5.4 Other Actions	16
6 Example: Sharp Sensor Node	16
7 Hardware Connections	18
7.1 Module Settings	19
8 Settings / Connections	20
8.1 Arduino IDE settings	20
8.2 Editing Codes.....	21
9 Conclusion	21
Revision History	22

Figures

Figure 1: Server-Side Html Codes	5
Figure 2: Routing	6
Figure 3: Control Code Values	6
Figure 4: ControlGPAK Function.....	7
Figure 5: CheckDevice function	7
Figure 6: WriteOne function.....	8
Figure 7: WriteAll function	9
Figure 8: ReadOne function	10
Figure 9: MultipleRead function.....	10
Figure 10: 12 Tooth BLDC Motor	11
Figure 11: Read from File/GreenPAK	11
Figure 12: Register Table.....	12
Figure 13: Write to GreenPAK.....	12
Figure 14: Add module section.....	13
Figure 15: Add Input Modal	14
Figure 16: Add Output Modal	15
Figure 17: Play and Operations buttons.....	15
Figure 18: Sharp Sensor Distance-voltage Graph	17

How to Test and Control GreenPAK using a Website

Figure 19: PGA Settings.....	18
Figure 20: Hardware Connections.....	18
Figure 21: The F6 Register.....	19
Figure 22: Adding “adc_out” Input.....	19
Figure 23: Adding “Distance “Output.....	20
Figure 24: Created “Distance_sensor” Module	20
Figure 25: Ssid, Password and Ip	21
Figure 26: SDA and SCL Settings	21

Tables

Table 1: I ² C Addresses according to Control Code.....	7
--	---

How to Test and Control GreenPAK using a Website

1 Terms and Definitions

IOT	Internet of things
I ² C	Inter-integrated circuit
ASM	Asynchronous state machine
CNT	Counter

2 References

For related documents and software, please visit:

[GreenPAK™ Programmable Mixed-Signal Products | Renesas](#)

Download our free [GreenPAK Designer](#) software [1] to open the .gp files [2] and view the proposed circuit design. Use the [GreenPAK development tools](#) [3] to freeze the design into your own customized IC in a matter of minutes. Renesas Electronics provides a complete library of application notes [4] featuring design examples as well as explanations of features and blocks within the IC.

- [1] [GreenPAK Designer Software](#), Software Download and User Guide, Renesas Electronics
- [2] [AN-CM-224 How to Test and Control GreenPAK using a Website.gp](#), [GreenPAK Design File](#), Renesas Electronics
- [3] [GreenPAK Development Tools](#), [GreenPAK Development Tools Webpage](#), Renesas Electronics
- [4] [GreenPAK Application Notes](#), [GreenPAK Application Notes Webpage](#), Renesas Electronics

How to Test and Control GreenPAK using a Website

3 Introduction

This project shows how a GreenPAK design can be tested, debugged, and controlled using a website. GreenPAK ICs come with a register control feature. In this way, GreenPAK registers can be controlled on-the-fly. A GreenPAK and Lolin NodeMcu are used in this project. In addition, some web technologies have been used to create a website. However, this app note will not include client-side codes. You can look at this [link](#) if you want to review it. This app note consists of several sections. These are:

- Server Side
- Usage of Website
- Example: Sharp Sensor Node
- Settings / Connections

4 Server Side

The server-side code is written with an ESP8266 / Arduino core. In this way, you can use the ESP8266 development boards like the ESPduino, SparkFun ESP8266 Thing, ESPresso Lite, WeMos and even the Generic ESP8266 Board as a server. In this project, the Lolin NodeMcu will be used, so the expressions will be on the Lolin NodeMcu.

The Lolin NodeMcu was used to communicate with the GreenPAK registers and host the website. The Lolin NodeMcu and GreenPAK are communicated to each other via I²C protocol. Thanks to GreenPAK, device configurations can be changed on-the-fly. With this feature, GreenPAK registers can be controlled via the website.

Operations done by the server side are:

- Hosting a website and routing incoming request
- Checking destination I²C address
- Writing to the GreenPAK registers
- Reading from the GreenPAK registers

4.1 Hosting a Website and Routing Incoming Request

The HTML and jQuery codes, which were written for the website, take up space in the Lolin NodeMcu's memory. Therefore, the code written for the website is hosted on the remote server. Only HTML, head and body tags are generated as shown in [Figure 1](#). The contents of these tags were pulled from the remote server using jQuery.

```

website = "<html>\n";
website += " <head></head>\n";
website += " <body></body>\n";
website += " <script src=\"https://code.jquery.com/jquery-3.1.1.js\"></script>\n";
website += " <script type=\"text/javascript\" src=\"https://www.gstatic.com/charts/loader.js\"></script>;\n";
website += " <script type=\"text/javascript\">\n";
website += "     $(function () {\n";
website += "         $.get(\"https://raw.githubusercontent.com/mbalci/GPAK5_Tracking/master/head.html\", function (data) {\n";
website += "             $(\"head\").html(data);\n";
website += "         });\n";
website += "         $.get(\"https://raw.githubusercontent.com/mbalci/GPAK5_Tracking/master/body.html\", function (data) {\n";
website += "             $(\"body\").html(data);\n";
website += "         });\n";
website += "     });\n";
website += " </script>\n";
website += "</html>";

```

Figure 1: Server-Side Html Codes

Each incoming request was directed to the relevant functions.

How to Test and Control GreenPAK using a Website

```
server.on("/", handleRoot);
server.on("/writeAll", writeAll);
server.on ( "/readAll", readAll);
server.on ( "/readOne", readOne);
server.on ( "/writeOne", writeOne);
server.on ( "/checkDevice", checkDevice);
server.on("/multipleRead", multipleRead);
server.onNotFound ( handleNotFound );
```

Figure 2: Routing

4.2 Checking Destination I2C Address

GreenPAKs have 16 selectable I²C addresses. These addresses can be determined using the control code register. The last 3 bits of register are fixed (as 0). The first 4 bits can be changed. The values that the control code register can receive are shown in [Figure 3](#).

0000
0001
0010
0011
0100
0101
0110
0111
1000
1001
1010
1011
1100
1101
1110
1111

Figure 3: Control Code Values

According to these values, the I²C addresses of GreenPAK are shown in [Table 1](#).

How to Test and Control GreenPAK using a Website

Table 1: I²C Addresses according to Control Code

Control Code	Padding	I ² C Address
0000	000	0
0001	000	8
0010	000	16
0011	000	24
0100	000	32
0101	000	40
0110	000	48
0111	000	56
1000	000	64
1001	000	72
1010	000	80
1011	000	88
1100	000	96
1101	000	104
1110	000	112
1111	000	120

The **controlGPAK** function controls the I²C address that is sent.

It returns **0** if there is a device capable of I²C communication at this address. If there is no device at this address or there is a problem with the communication, it returns a number other than **0**. It does this using the wire library.

```
int controlGPAKadr(int adr) {
    Wire.beginTransmission(adr);
    return Wire.endTransmission();
}
```

Figure 4: ControlGPAK Function

The **checkDevice** function checks all the addresses one by one as shown in [Table 1](#). If there is a device at the target, it adds the address of the device to the response message. Finally, it notifies the suitable devices to the user.

```
void checkDevice(void) {
    int I2C_adr[16] = {0, 8, 16, 24, 32, 40, 48, 56, 64, 72, 80, 88, 96, 104, 112, 120};
    String response = "";
    int x = 0;
    for (i = 0; i < 16; i++) {
        if (controlGPAKadr(I2C_adr[i]) == 0) {
            x++;
            response += String(I2C_adr[i]) + "-";
        }
    }
    if (x == 0)
        server.send ( 200, "text/html", "No devices found." );
    else
        server.send ( 200, "text/html", response );
}
```

Figure 5: CheckDevice function

How to Test and Control GreenPAK using a Website

NOTE: The **checkDevice** function only checks whether a suitable device is available at the destination addresses. This device may not be a GreenPAK.

4.3 Writing to the GreenPAK Registers

A GreenPAK can be controlled by changing its registers. The task of each register is different. For the addresses and tasks of the registers, you can refer to the Appendix in the GreenPAK's datasheet.

The **writeOne** function writes the data that the user sends to the corresponding GreenPAK register.

```
void writeOne(void) {
    int I2C_adr;

    if (!server.hasArg("nvmData") || !server.hasArg("adr") || !server.hasArg("RegAdr")) {
        server.send(200, "text/plain", "Error Missing arguments");
        return;
    }
    I2C_adr = server.arg("adr").toInt();
    if (controlGPAKadr(I2C_adr) != 0) {
        server.send(200, "text/plain", "Error Could not connect GPAK");
        return;
    }

    device_address=I2C_adr;
    writeI2C(byte(server.arg("RegAdr").toInt()), byte(server.arg("nvmData").toInt()));

    server.send ( 200, "text/html", "Success Value successfully written to register" );
}
}
```

Figure 6: WriteOne function

The **writeOne** function receives 3 data from the user. These are:

- NvmData:** Register content,
- Adr:** The target GreenPAK I²C address,
- RegAdr:** Destination register address

The function first checks the content of the submitted data. If any of the **nvmData**, **Adr** or **RegAdr** data cannot be found, it returns an *error* message. After that, it checks whether there is a suitable GreenPAK at the I²C address sent by the user. If it cannot communicate with the GreenPAK, it returns an *error* message.

Finally, it writes the data sent to the register. The **writeI2C** function takes arguments in byte type. Therefore, incoming data is first converted to integer type from String type. Later, it is converted to byte type from integer type. After writing to the GreenPAK register is finished, the *successful* message is sent to the user.

The **writeAll** function writes all the data which is sent by user to the registers.

How to Test and Control GreenPAK using a Website

```

void writeAll(void) {
    int I2C_adr;

    if (!server.hasArg("nvmData%5B%5D") || !server.hasArg("adr")) {
        server.send(200, "text/plain", "Error Missing arguments");
        return;
    }
    I2C_adr = server.arg("adr").toInt();
    if (controlGPAKadr(I2C_adr) != 0) {
        server.send(200, "text/plain", "Error Could not connect GPAK");
        return;
    }

    device_address=I2C_adr;
    for (i = 0; i < 256; i++) {
        writeI2C(byte(i), byte(server.arg(i).toInt()));
    }

    server.send ( 200, "text/html", "Success Values successfully written to registers " );
}

```

Figure 7: WriteAll function

The function receives two facets of data from the user. These are **nvmData** array and **Adr**. The function works similarly to the **writeOne** function. Unlike **writeOne**, **nvmData% 5B% 5D** data is checked instead of **nvmData** data. Since **nvmData** is an array in this function, it is submitted as **nvmData []**. The characters **% 5B** and **% 5D** correspond to the characters **[]** in the percent-encoding. Then, the GreenPAK I²C address is checked. Finally, the **nvmData** array is written to the GreenPAK registers with the for loop. The message *successful* is sent to the user after the process is finished.

NOTE: Some registers in the GreenPAK are closed for writing. The GreenPAK target register does not generate any errors during processing, even if it is turned off to write. At this point, no errors are encountered during sequential writing.

4.4 Reading from GreenPAK Registers

Data can be also read from GreenPAK registers. At this point, information such as whether the pin is high or low, the counted data of the CNT blocks, and which state the ASM is currently executing can be reached.

The **readOne** function reads the contents of the register requested by user and sends it to the user.

How to Test and Control GreenPAK using a Website

```

void readOne(void) {
    int I2C_adr;
    String response = "";

    if (!server.hasArg("adr") || !server.hasArg("RegAdr")) {
        server.send(200, "text/plain", "Error Missing arguments");
        return;
    }
    I2C_adr = server.arg("adr").toInt();
    if (controlGPAKadr(I2C_adr) != 0) {
        server.send(200, "text/plain", "Error Could not connect GPAK");
        return;
    }

    device_address=I2C_adr;
    response += String(readI2C(byte(server.arg("RegAdr").toInt())));

    server.send ( 200, "text/html", response );
}

```

Figure 8: ReadOne function

The **readOne** function takes two inputs which are **RegAdr** and **adr**. It controls the content of the submitted data as it were in the **writeOne** function. Then it checks the GreenPAK I²C address. Finally, it adds the content it reads from the GreenPAK to the response message and sends it to the user.

The **readAll** function reads all GreenPAK registers and returns the contents to the user.

```

void readAll(void) {
    int I2C_adr;
    String response = "";

    if (!server.hasArg("adr")) {
        server.send(200, "text/plain", "Error Missing arguments");
        return;
    }
    I2C_adr = server.arg("adr").toInt();
    if (controlGPAKadr(I2C_adr) != 0) {
        server.send(200, "text/plain", "Error Could not connect GPAK");
        return;
    }

    device_address=I2C_adr;
    for (i = 0; i < 255; i++) {

        response += String(readI2C(byte(i))) + "-";
    }
    response += String(readI2C(byte(255)));

    server.send ( 200, "text/html", response );
}

```

Figure 9: MultipleRead function

How to Test and Control GreenPAK using a Website

```

void multipleRead(void){
  int I2C_adr;
  String response = "";

  int num_reg=0;
  if (!server.hasArg("adr")||!server.hasArg("num_reg")) {
    server.send(200, "text/plain", "Error Missing arguments");
    return;
  }
  I2C_adr = server.arg("adr").toInt();
  if (controlGPAKadr(I2C_adr) != 0) {
    server.send(200, "text/plain", "Error Could not connect GPAK");
    return;
  }
  num_reg=server.arg("num_reg").toInt();
  device_address=I2C_adr;
  for (i = 0; i <num_reg-1 ; i++) {

    response += String(readI2C(byte(server.arg(i).toInt())))+ "-";
  }
  response += String(readI2C(byte(server.arg(num_reg-1).toInt())));

  server.send ( 200, "text/html", response );
}

```

Figure 10: 12 Tooth BLDC Motor

NOTE: Some registers may be closed for reading. You can see the I²C Serial Command Register Protection in the datasheet.

5 How to use the website

Using the web site, the user can read registers, write values to registers and visualize register values by creating modules.

The user can read the registers data from a project or from a GreenPAK connected to the Lolin NodeMcu. The user can also scan for possible GreenPAK I²C addresses.

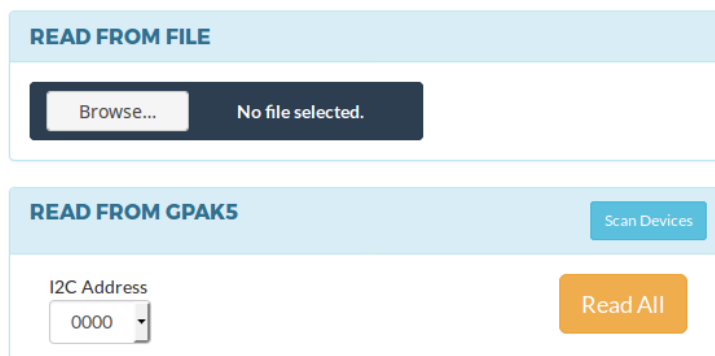


Figure 11: Read from File/GreenPAK

After the reading process, the register is shown in [Figure 12](#).

How to Test and Control GreenPAK using a Website

Show entries Search:

Register	Value			
00	00	<input type="button" value="Edit"/>	<input type="button" value="Read"/>	<input type="button" value="Write"/>
01	00	<input type="button" value="Edit"/>	<input type="button" value="Read"/>	<input type="button" value="Write"/>
02	00	<input type="button" value="Edit"/>	<input type="button" value="Read"/>	<input type="button" value="Write"/>
03	00	<input type="button" value="Edit"/>	<input type="button" value="Read"/>	<input type="button" value="Write"/>
04	00	<input type="button" value="Edit"/>	<input type="button" value="Read"/>	<input type="button" value="Write"/>
05	00	<input type="button" value="Edit"/>	<input type="button" value="Read"/>	<input type="button" value="Write"/>
06	00	<input type="button" value="Edit"/>	<input type="button" value="Read"/>	<input type="button" value="Write"/>
07	00	<input type="button" value="Edit"/>	<input type="button" value="Read"/>	<input type="button" value="Write"/>
08	00	<input type="button" value="Edit"/>	<input type="button" value="Read"/>	<input type="button" value="Write"/>
09	00	<input type="button" value="Edit"/>	<input type="button" value="Read"/>	<input type="button" value="Write"/>

Showing 1 to 10 of 256 entries

Previous ... Next

Figure 12: Register Table

The user can write or read the register data one by one using the buttons in the table. Also, GreenPAK can be programmed using the write all button.

WRITE TO GPAK

I2C Address

Figure 13: Write to GreenPAK

The user reads and monitors the register data via the modules. The user can create a new module or load the previously created modules. When modules are created, the user is asked to specify inputs and outputs. Each module must have a unique name.

How to Test and Control GreenPAK using a Website

Figure 14: Add module section

5.1 Inputs

Inputs are determined by the register data in GreenPAK at a specific I²C address. An input can contain more than one register data. Registers data can be combined, truncated and masked.

Each input is constructed with a name, I²C and bits information. Inputs must have unique names. Patterns used when determining Bits information;

■ RegAddress

It takes the 8-bit data at the specified register address without any action.

Example

Register f6: 00001111

Bits: f6

Result: 00001111

Note: Register address must be a hexadecimal number between 00 and FF.

■ RegAddress<x:y>

It gets the range of between x and y of the data at the specified register address. If x is greater than y, the data is only truncated. If x is less than y, the data is truncated first, then the bits are sorted in reverse order.

Example

Register f6: 00010111

Bits: f6<4:1>

Result: 1011

or

Bits: f6<1:4>

Result: 1101

Note: x and y values must be written as <x: y>. Also, x and y must be a number between 0-7.

■ RegAddress<x>

It takes the xth bit of the data at the specified Register address.

Example

How to Test and Control GreenPAK using a Website

Register f6: 00010000

Bits: f6<4>

Result: 1

Note: **x** must be a number between 0 and 7.

■ [Padding]

Unlike previous patterns, the user can add the desired padding value.

Example

Bits: [001001]

Result: 001001

Note: Padding values must be binary and between [and] characters.

The user can also combine this data. To merge, the user must put *comma* (",") between the patterns.

Example

Register f5: 00110001

Register f6: 11110000

Bits: f5<5:3>, f6

Result: 11011110000

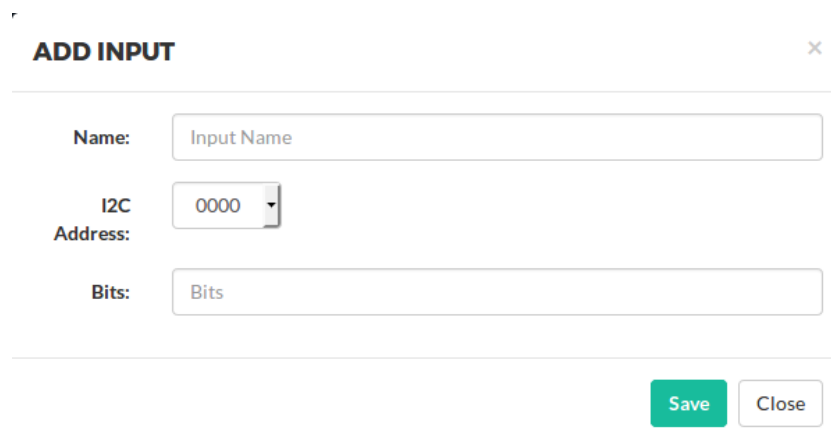


Figure 15: Add Input Modal

The added inputs can be deleted at any time.

5.2 Outputs

Outputs are the values that will be shown in the chart. Charts are drawn using output values. Outputs are functions that contain input. More than one input can be used when output is created. Thanks to this, more than one GreenPAK register data can be shown in a single module.

Output functions are solved using the JavaScript eval function. In this way, statements such as **if** can be used in addition to mathematical operations in the function section. To use predefined inputs in the output function, the **@** character must be placed in front of the input name and there must be a space after it. If there are predefined inputs, input buttons are added automatically under the function section. The user can add the inputs more easily by clicking on these buttons.

How to Test and Control GreenPAK using a Website

Figure 16: Add Output Modal

Example

Register f6: 00000111: 7

Register f5: 00001000: 8

Inputs

i1: f5<3>, f6<3:0> Result: 10111: 23

i2: f5<3:2>, [010] Result: 10010: 18

Outputs

o1: @i1 * Math.sqrt(@i2) Result: 23 * 4,24 = 97,58

o2: if (@i1 > @i2)

{ @i1 ; }

else

{ @i2 ; }

Result : 23

After you have written the output function, you can test your function by clicking the test button. It is enough to enter the inputs on the modal that opens and click on the **Calculate** button.

5.3 Chart

Modules convert the outputs to charts using Google chart. When each module is created, it creates a line chart showing the outputs. Modules are initially *stop* positions. The user can operate the mode by clicking on the **play** button.

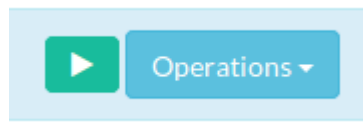


Figure 17: Play and Operations buttons

Register addresses and I²C addresses that are related with the modules are stored in an object. When the module is run, the required I²C addresses and register addresses are taken from this object and sent to Lolin NodeMcu. Thus, only the register information necessary for the operation of the modules is obtained. This object is changed when a module is stopped. If there is no other module that needs the related register, the register status will be *stop*.

Charts are refreshed by default every 10 seconds. GreenPAK register values are read every 10 seconds.

How to Test and Control GreenPAK using a Website

5.4 Other Actions

The user can add the previously saved modules by clicking on the operations button found in the add module. Alternatively, the user can save all the modules to a file. Modules are saved in a txt file in JSON format. Also, after the user creates the module, the **Operations** button appears in the module section.

The actions the user can make by clicking on this button;

- Chart editor

The user can change the properties of the chart that show the outputs. The user can also change properties such as the chart type and the colors of the outputs. Once the user clicks on the **OK** button, the changes are applied and the chart is re-drawn. Chart editor is created using google chart editor.

- Save Module

The user can only save this module by clicking on this button. Inputs, outputs, chart options of the module are saved.

Note: The output data of the module are not saved in save operations. So, when the module is restored, it is created from scratch.

- Delete Module

The user can delete this module by clicking this button. The module is removed from the page and deleted from the required objects.

- Download data

The user can download output data in csv format by clicking this button. Columns are separated by semicolon (";") in the downloaded file. The user can use this file to examine the data.

6 Example: Sharp Sensor Node

In this example, distance measurements with the Sharp GP2Y0A41SK0F Analog Distance Sensor (4-30 cm) were checked. These measurements were converted to graphs using the module.

The Sharp sensor is an analog sensor. This example can be used when creating modules with other analog sensors. Since there is no Analog Digital Converter (ADC) in GreenPAK (SLG46531V), the ADC in GreenPAK4 (SLG46620V) was used. The [AN-1102](#) app note was used for this. The distance-voltage output graph of the Sharp sensor is shown in [Figure 18](#).

How to Test and Control GreenPAK using a Website

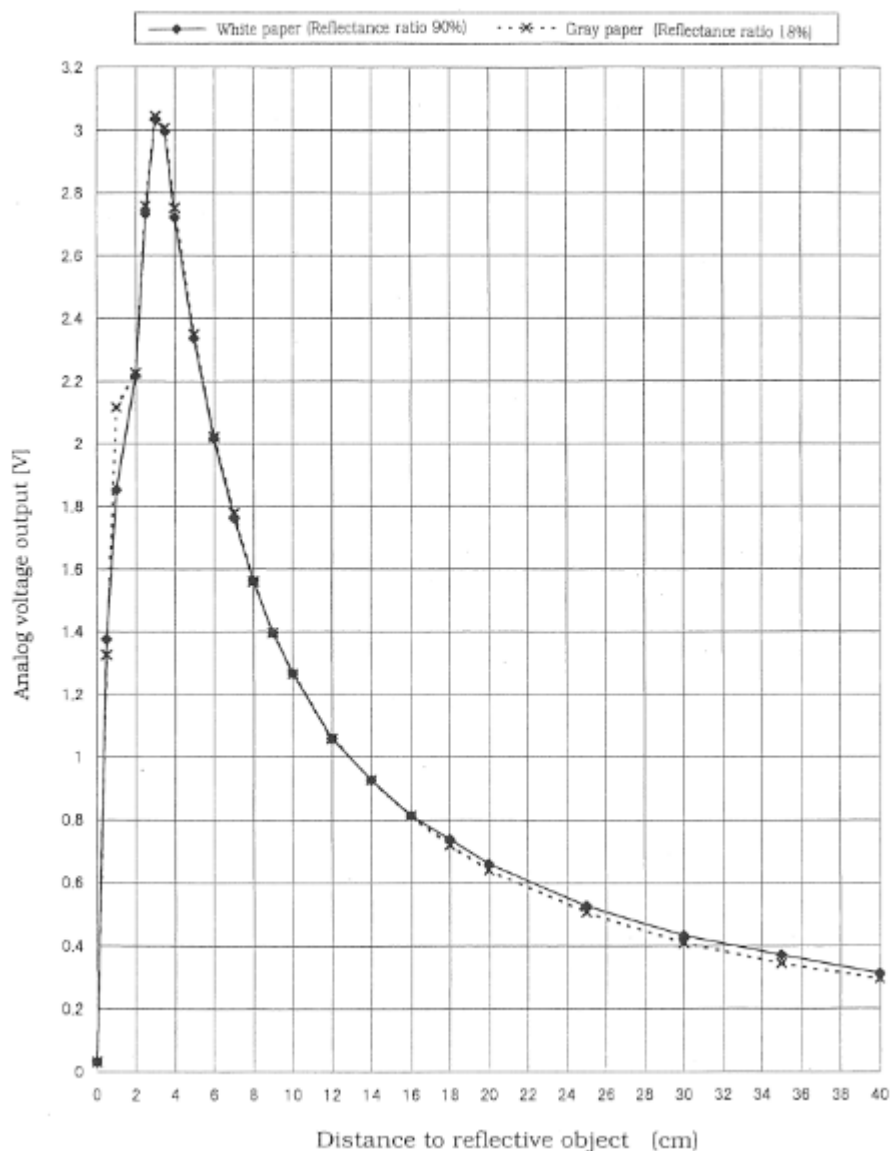


Figure 18: Sharp Sensor Distance-voltage Graph

The Sharp sensor output can be up to 3.1 V depending upon distance. However, the V_{ref} of the ADC in the SLG46620V is 1.2 V. Therefore, the Sharp sensor output was divided into 4 to bring it to a level lower than 1.2 V.

How to Test and Control GreenPAK using a Website



Figure 19: PGA Settings

7 Hardware Connections

Connections were made as shown in AN-1102. Since the Lolin NodeMcu communicates in 3.3 V levels, the GreenPAK and GreenPAK4 were supplied with 3.3 V. The Sharp sensor operates between 4.5 V and 5.5 V, hence the supply is derived separately. Connections can be seen in Figure 20.

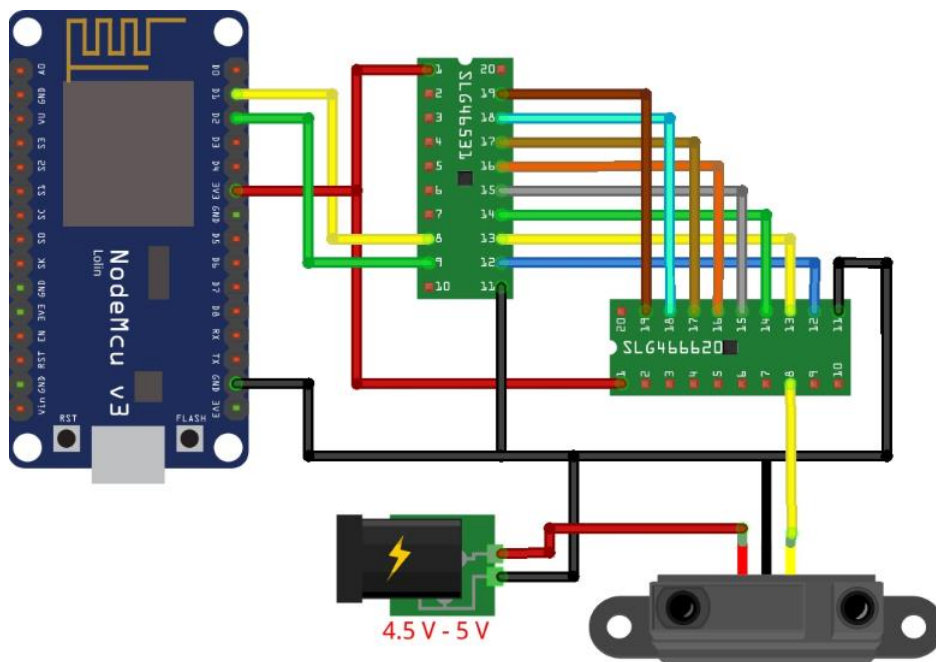


Figure 20: Hardware Connections

How to Test and Control GreenPAK using a Website

7.1 Module Settings

As shown in Figure 20, the 8-bit incoming data from the SLG46620V is connected to the pins of the SLG46531V. These pins are 19-18-17-16-15-14-13-12 respectively. The digital input values of these pins are stored in the F6 register, as shown in the Matrix Input table on the SLG46531V datasheet.

F6	reg<1968>	Matrix Input 48	Pin12 Digital Input	Valid	Invalid
	reg<1969>	Matrix Input 49	Pin13 Digital Input	Valid	Invalid
	reg<1970>	Matrix Input 50	Pin14 Digital Input	Valid	Invalid
	reg<1971>	Matrix Input 51	Pin15 Digital Input	Valid	Invalid
	reg<1972>	Matrix Input 52	Pin16 Digital Input	Valid	Invalid
	reg<1973>	Matrix Input 53	Pin17 Digital Input	Valid	Invalid
	reg<1974>	Matrix Input 54	Pin18 Digital Input	Valid	Invalid
	reg<1975>	Matrix Input 55	Pin19 Digital Input	Valid	Invalid

Figure 21: The F6 Register

So, the F6 register is used when adding an input. Let's give the name **adc_out** to the input we added.

Figure 22: Adding “adc_out” Input

The Sharp sensor is not a linear sensor. The distance formula for this sensor;

$v \Rightarrow$ Sensor output voltage

$$\text{Distance} = 12.38 \times v^{-1.1}$$

To find the value **v**, the V_{ref} value must be divided into resolution and this value must be multiplied by **adc_out**.

Since we set the gain of the sensor output voltage to 0.25, the value we find will be 1 in 4 of the actual value. So, we need to multiply the found value by 4.

As a result, the value of **v**;

$$v = V_{ref} (1.2) \div \text{Resolution}(256) \times 4 \times \text{adc_out}$$

$$v = 0.01875 \times \text{adc_out}$$

Distance;

$$12.38 * \text{Math.pow}(v, -1.1)$$

In case of a problem with the sensor, the **adc_out** variable can be zero. In this case, the function will go to infinity. We can use an if statement to prevent it. As a result, the final state of the output function;

```
var v = 0.01875 * @adc_out;
if ( v != 0 ) {
    12.38 * Math.pow( v , -1.1);
}
else {
    false;
}
```

How to Test and Control GreenPAK using a Website

If the variable **v** is zero, the function will return false and the module will be automatically paused.

ADD OUTPUT ×

Name:

Function:

```
var v= 0.01875 * @adc_out;
if ( v!=0)
  12.38 * Math.pow( v, -1.1);
else
  false;
```

Test

Save Close

Figure 23: Adding “Distance “Output

After adding the output to the module, save the module by clicking the **save module** button. Now the module is ready to operate. You can start the module by clicking on the **play** button. If you want, you can change the chart type by clicking **Operations** button, you can save the module, you can download measured distances in csv format.

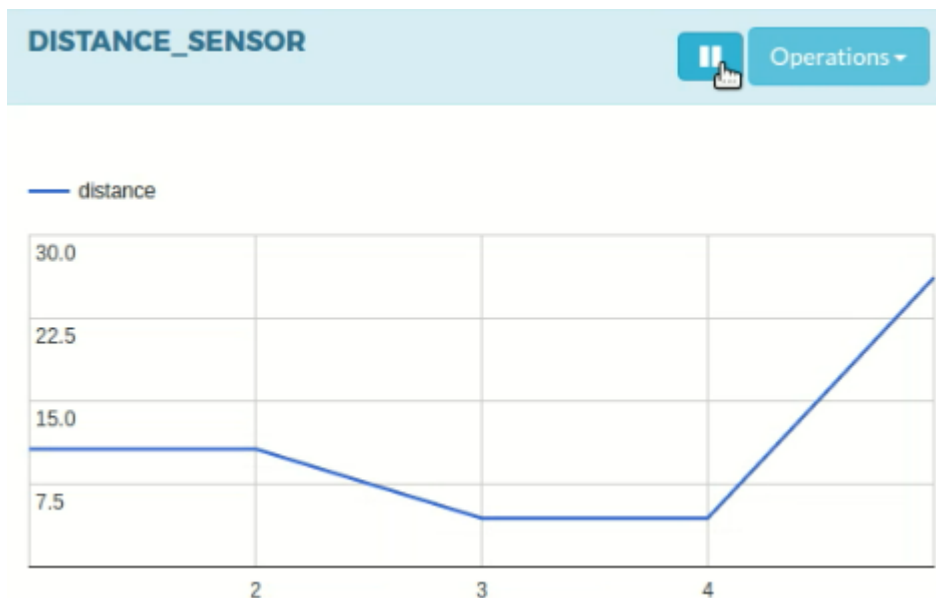


Figure 24: Created “Distance_sensor” Module

8 Settings / Connections

8.1 Arduino IDE settings

The Lolin NodeMcu card is programmed using the Arduino IDE. Processes to introduce the Arduino IDE to the Lolin NodeMcu board are:

1. Open Arduino IDE
2. Click File -> preferences

How to Test and Control GreenPAK using a Website

3. Click the button next to Additional Boards Manager URLs
4. Paste the address http://arduino.esp8266.com/stable/package_esp8266com_index.json
5. into the opened window and click ok
6. Click tools -> board -> boards manager
7. Find the ESP8266 in the opened window and load it

Insert the development board into the computer after you identify Lolin NodeMcu and select NodeMcu 1.0 (ESP-12E Module) from the tools -> board. Also, do not forget to select the port that the board is connected to from Tools -> Port.

8.2 Editing Codes

The user must make a few adjustments before loading the codes into the Lolin NodeMcu.

First, you should set the “ssid” and “password” variables in the server-side code according to the Wi-Fi network to use. If you use the Generic ESP8266 board, you should set GPIO 0 and GPIO 2 as SDA and SCL for I2C communication. You can use the default pins for other boards.

It can also keep client-side codes on a remote server specified by the user, if desired. Client-side codes are located in the GitHub server. It can be used without making any changes. Finally, the necessary settings must be made to get a static IP to the Lolin NodeMcu. You can access the website using this IP address.

```

////////// Edit This Section //////////

const char *ssid = "WIFI_NAME";
const char *password = "WIFI_PASSWORD";

IPAddress ip(192, 168, 43, 200);

////////////////////////////////////

```

Figure 25: Ssid, Password and Ip

```

////////// EDIT THIS SECTION //////////
// Change this to the Wire.begin(0,2) for Generic esp8266

Wire.begin();

////////////////////////////////////

```

Figure 26: SDA and SCL Settings

9 Conclusion

With the techniques outlined in this app note, you can control GreenPAKs remotely. This makes it easier to use a GreenPAK as a sensor node in applications like IOT and home automation.

How to Test and Control GreenPAK using a Website

Revision History

Revision	Date	Description
1.0	01-Mar-2018	Initial version

IMPORTANT NOTICE AND DISCLAIMER

RENESAS ELECTRONICS CORPORATION AND ITS SUBSIDIARIES (“RENESAS”) PROVIDES TECHNICAL SPECIFICATIONS AND RELIABILITY DATA (INCLUDING DATASHEETS), DESIGN RESOURCES (INCLUDING REFERENCE DESIGNS), APPLICATION OR OTHER DESIGN ADVICE, WEB TOOLS, SAFETY INFORMATION, AND OTHER RESOURCES “AS IS” AND WITH ALL FAULTS, AND DISCLAIMS ALL WARRANTIES, EXPRESS OR IMPLIED, INCLUDING, WITHOUT LIMITATION, ANY IMPLIED WARRANTIES OF MERCHANTABILITY, FITNESS FOR A PARTICULAR PURPOSE, OR NON-INFRINGEMENT OF THIRD-PARTY INTELLECTUAL PROPERTY RIGHTS.

These resources are intended for developers who are designing with Renesas products. You are solely responsible for (1) selecting the appropriate products for your application, (2) designing, validating, and testing your application, and (3) ensuring your application meets applicable standards, and any other safety, security, or other requirements. These resources are subject to change without notice. Renesas grants you permission to use these resources only to develop an application that uses Renesas products. Other reproduction or use of these resources is strictly prohibited. No license is granted to any other Renesas intellectual property or to any third-party intellectual property. Renesas disclaims responsibility for, and you will fully indemnify Renesas and its representatives against, any claims, damages, costs, losses, or liabilities arising from your use of these resources. Renesas' products are provided only subject to Renesas' Terms and Conditions of Sale or other applicable terms agreed to in writing. No use of any Renesas resources expands or otherwise alters any applicable warranties or warranty disclaimers for these products.

(Disclaimer Rev.1.01 Jan 2024)

Corporate Headquarters

TOYOSU FORESIA, 3-2-24 Toyosu,
Koto-ku, Tokyo 135-0061, Japan
www.renesas.com

Trademarks

Renesas and the Renesas logo are trademarks of Renesas Electronics Corporation. All trademarks and registered trademarks are the property of their respective owners.

Contact Information

For further information on a product, technology, the most up-to-date version of a document, or your nearest sales office, please visit www.renesas.com/contact-us/.